



G4725 Shop Fox[®] Fence Extension Rail Installation Instructions.

The extended rail set for the Shop Fox[®] Fence increases the rip capacity to the right of the blade to 49". They are mounted in the same manner as the standard rails.

An extension table (**Figure 1.**) must be mounted between the fence extension rails to properly support the rails as well as the workpiece. The extension table must fit in the gap between the rails perfectly or the rails will be bowed. Remove the right side table saw wing and bolt the extension table in place using the existing holes for the wing. Extra holes will need to be drilled in the rails to secure the extension table at the right end. **NOTE:** If you wish to keep the right extension wing in place, subtract the width of the wing from the width of the extension table (30" - extension wing width).

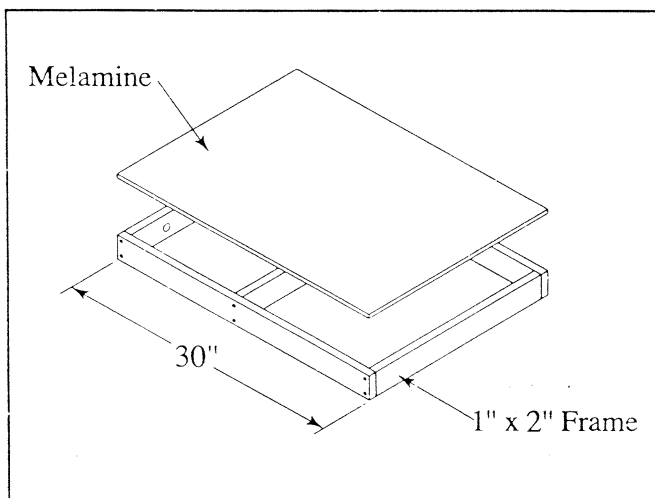


Figure 1. Auxiliary table.

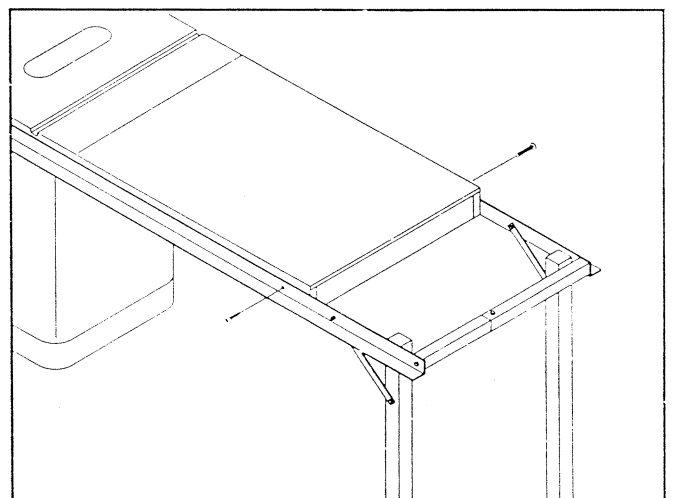


Figure 2. Auxiliary table and ext rails assembled.