

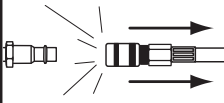


MODEL G5349 3/8" AIR RATCHET INSTRUCTION SHEET

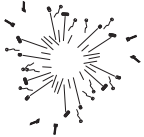
⚠ WARNING



EYE INJURY HAZARD!
Always wear safety glasses during use to prevent serious personal injury!



INJURY HAZARD!
Always disconnect tool from air to prevent unexpected operation during service!



EXPLOSION HAZARD!
Never exceed 120 PSI!



Figure 1. Model G5349.

Introduction

Just a squeeze of the trigger provides 50 ft/lbs. of torque! Ergonomically designed for maximum comfort, these professional quality ratchets deliver up to 160 RPM to your sockets, making them the perfect choice for home or high volume commercial work. Weighs 3 lbs.

Inventory

- A. Air Ratchet..... 1

Operation

Tool requires 90 PSI to operate correctly.

To improve tool lifespan, use a filter/lubricator/regulator as shown in **Figure 2**. Otherwise, lubricate daily with a couple drops of pneumatic tool oil directly into the air fitting as shown in **Figure 3**.

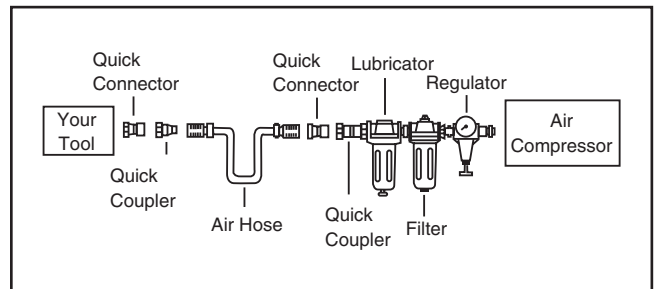


Figure 2. Installing your tool.

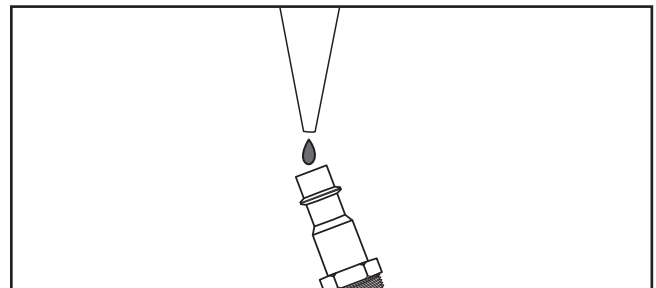


Figure 3. Lubricating directly into air fitting.

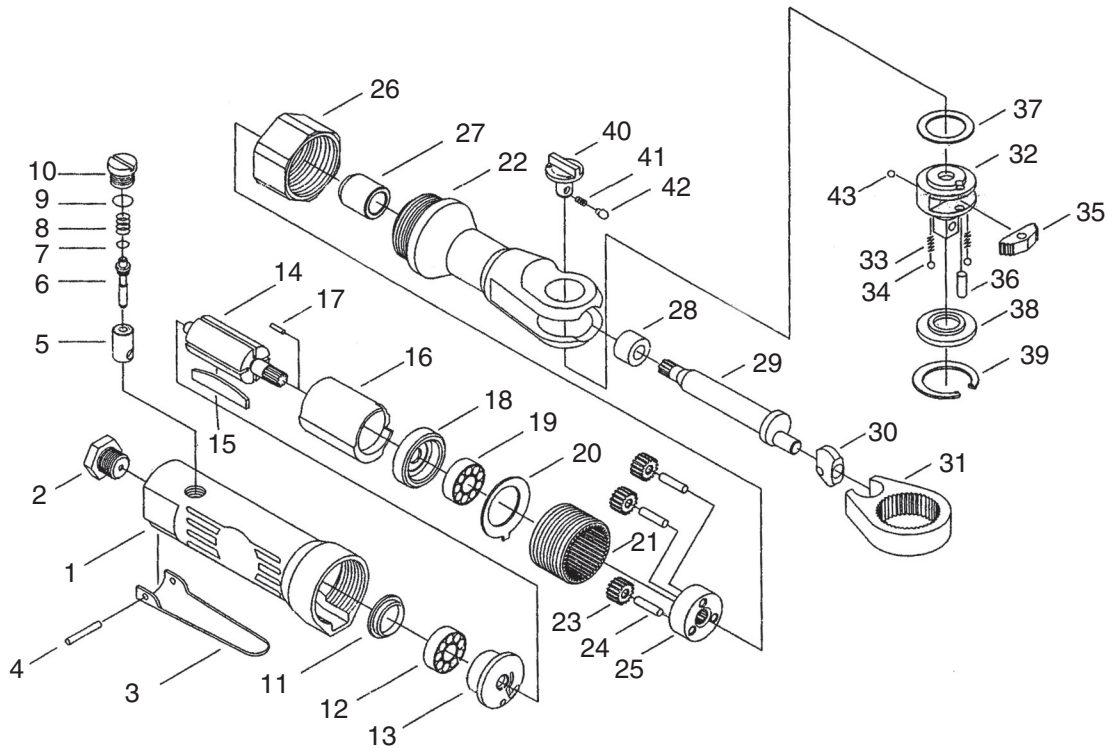
If you need help with your new pneumatic tool, call our Tech Support at: (570) 546-9663.

COPYRIGHT © FEBRUARY, 2006 BY GRIZZLY INDUSTRIAL, INC.

WARNING: NO PORTION OF THIS MANUAL MAY BE REPRODUCED IN ANY SHAPE OR FORM WITHOUT THE WRITTEN APPROVAL OF GRIZZLY INDUSTRIAL, INC.

#PC8044 PRINTED IN TAIWAN

G5349 Parts Breakdown and List



REF	PART #	DESCRIPTION
1	P5349001	HOUSING
2	P5349002	AIR INLET
3	P5349003	THROTTLE LEVER
4	P5349004	ROLL PIN
5	P5349005	VALVE BUSHING
6	P5349006	VALVE STEM
7	P5349007	O-RING
8	P5349008	SPRING
9	P5349009	O-RING
10	P5349010	VALVE PLUG
11	P5349011	END PLATE CAP
12	P5349012	REAR BEARING
13	P5349013	REAR PLATE
14	P5349014	ROTOR
15	P5349015	ROTOR BLADE
16	P5349016	CYLINDER
17	P5349017	CYLINDER PIN
18	P5349018	FRONT END PLATE
19	P5349019	FRONT BEARING
20	P5349020	WASHER
21	P5349021	THREAD RING GEAR
22	P5349022	RATCHET HOUSING

REF	PART #	DESCRIPTION
23	P5349023	IDLER GEAR
24	P5349024	IDLER GEAR PIN
25	P5349025	IDLER GEAR PLATE
26	P5349026	CLAMP NUT
27	P5349027	BUSHING
28	P5349028	BEARING
29	P5349029	CRANK SHAFT
30	P5349030	DRIVE BUSHING
31	P5349031	RATCHET YOKE
32	P5349032	RATCHET ANVIL
33	P5349033	SPRING
34	P5349034	STEEL BALL
35	P5349035	PAWL
36	P5349036	PIN
37	P5349037	WASHER
38	P5349038	THRUST WASHER
39	P5349039	RETAINER RING
40	P5349040	REVERSE BUTTON
41	P5349041	SPRING
42	P5349042	LOCK PIN
43	P5349043	STEEL BALL