

# *Panther*™

*panthercarts.com*

## **WHEELBARROW MODEL G7103 INSTRUCTION SHEET**



COPYRIGHT © JUNE, 2004 BY GRIZZLY INDUSTRIAL, INC.  
**WARNING: NO PORTION OF THIS MANUAL MAY BE REPRODUCED IN ANY SHAPE  
OR FORM WITHOUT THE WRITTEN APPROVAL OF GRIZZLY INDUSTRIAL, INC.**  
#TJ6340 PRINTED IN CHINA

# PARTS INVENTORY

The Model G7103 was carefully packed when it left our warehouse. If you discover the wheelbarrow is damaged after you have signed for delivery, *please immediately call Customer Service at (570) 546-9663 for advice.*

Save the containers and all packing materials for possible inspection by the carrier or its agent. *Otherwise, filing a freight claim can be difficult.*

When you are completely satisfied with the condition of your shipment, you should inventory the contents.

## Figure 1 - Main Contents.

|           |                     |   |
|-----------|---------------------|---|
| <b>A.</b> | Bucket .....        | 1 |
| <b>B.</b> | Wheel .....         | 1 |
| <b>C.</b> | Wheel Supports..... | 2 |
| <b>D.</b> | Rail .....          | 1 |
| <b>E.</b> | Handle Covers.....  | 2 |
| <b>F.</b> | Axle supports.....  | 2 |
| <b>G.</b> | Axle .....          | 1 |
| <b>H.</b> | Legs.....           | 2 |
| <b>I.</b> | Bolt Bag.....       | 1 |
| <b>J.</b> | Frame .....         | 1 |
| <b>K.</b> | Handles .....       | 2 |

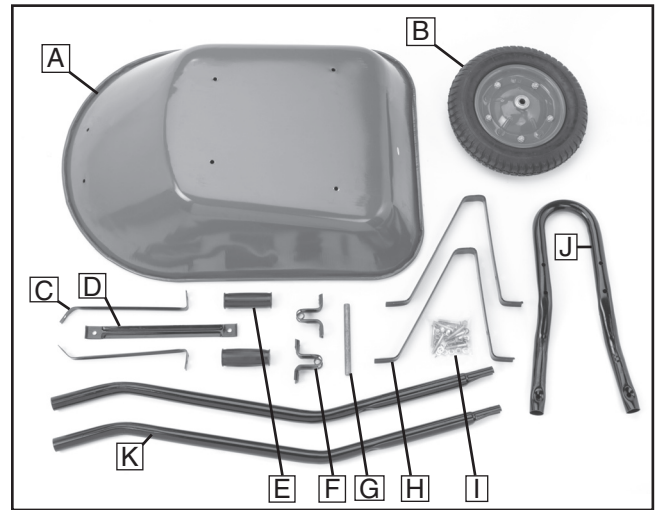


Figure 1. Main contents.

## Figure 2 - Bolt Bag.

|           |                         |    |
|-----------|-------------------------|----|
| <b>L.</b> | Bolt M8-1.25 X 50 ..... | 8  |
| <b>M.</b> | Hex Nut 8mm .....       | 12 |
| <b>N.</b> | Flat Washer 8mm.....    | 12 |
| <b>O.</b> | Lock Washers 8mm .....  | 12 |
| <b>P.</b> | Bolt M8-1.25 X 15 ..... | 4  |

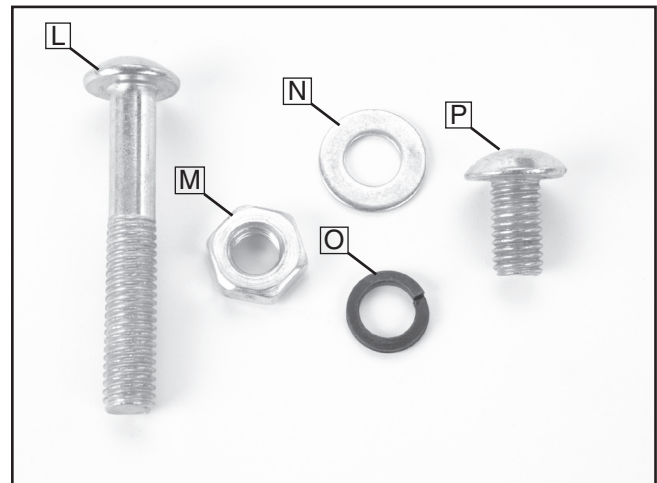


Figure 2. Bolt bag contents.

## CAUTION

Adult supervision is always required while this wheelbarrow is being used by children.

# ASSEMBLY INSTRUCTIONS

## MOUNTING WHEEL SUPPORTS

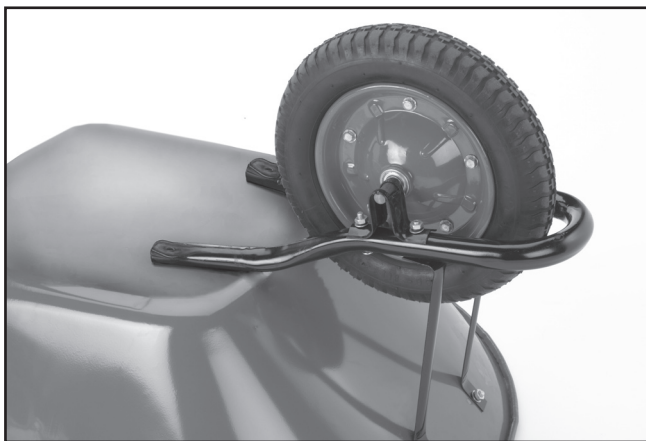
1. Attach the wheel supports to the front of the bucket with M8-1.25 X 15 bolts, flat washers, lock washers and hex nuts (**Figure 3**).



**Figure 3.** Wheel supports attached to bucket.

## MOUNTING FRONT FRAME & WHEEL

1. Attach one side of the frame and axle support to a wheel support. Note: *Crimped side of axle support must be to the outside.*
2. Slide the axle through the wheel and insert the axle into the mounted support with the wheel attached.
3. Slide the second axle support onto the axle and attach it to the frame and wheel support with M8-1.25 X 50 bolts (**Figure 4**).



**Figure 4.** Frame and wheel attached to wheel supports.

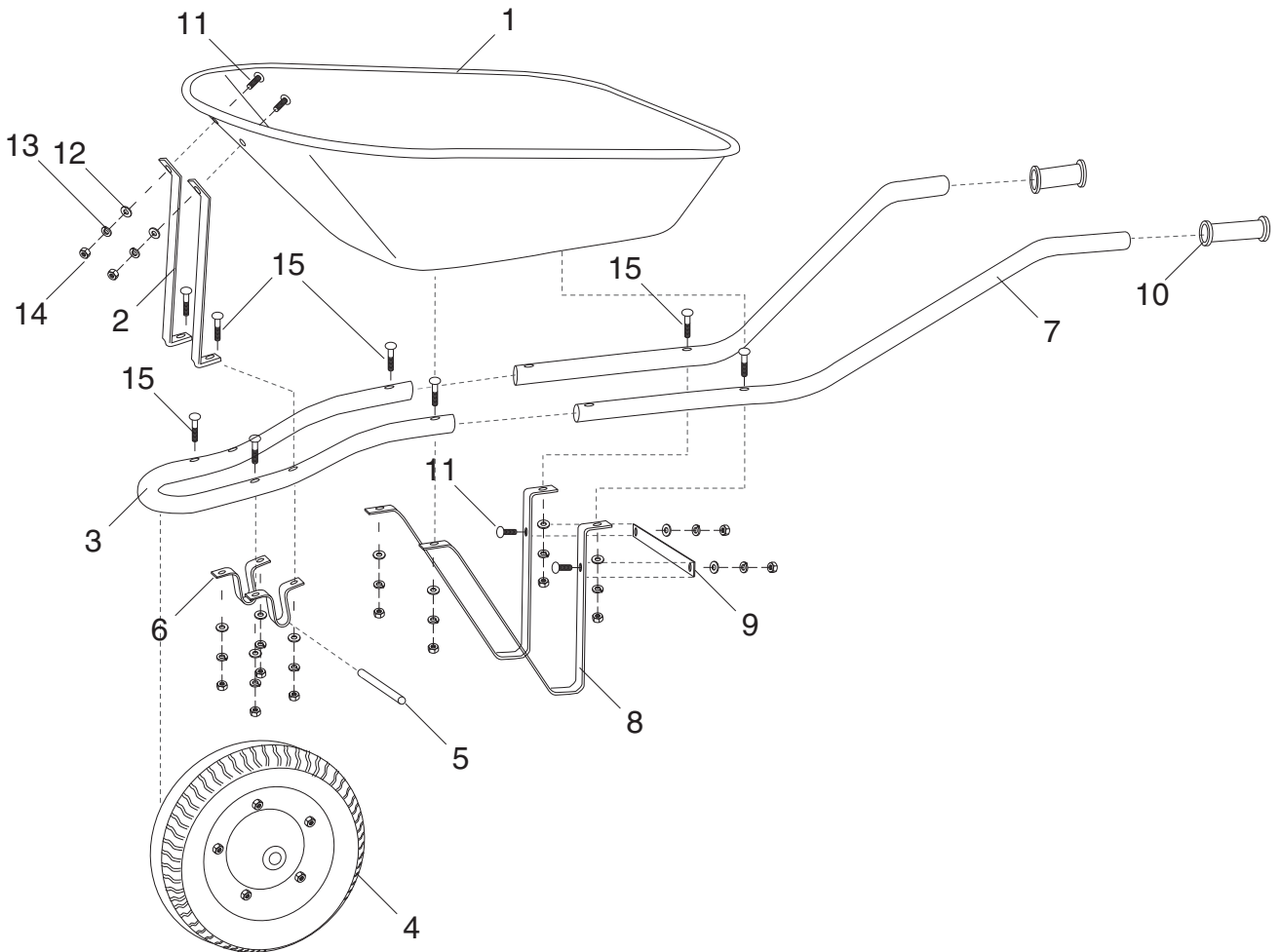
## ATTACHING HANDLES & LEGS

1. Slide the handle covers onto the end of the handles.
2. Insert the handles into the front section of the frame, and with M8-1.25 X 50 bolts, attach a leg to one side of the bucket through the frame and handle. NOTE: *Prop bucket up so you can have access to both sides of the bucket.*
3. Attach the second leg to opposite side of the bucket through the frame and handle with M8-1.25 X 50 bolts.
4. Attach the rail to the legs with M8-1.25 X 15 bolts (**Figure 5**).



**Figure 5.** Handles, legs, and rail attached to bucket.

# G7103 Parts Breakdown and List



| REF | PART#    | DESCRIPTION    |
|-----|----------|----------------|
| 1   | P7103001 | BUCKET         |
| 2   | P7103002 | WHEEL SUPPORTS |
| 3   | P7103003 | FRONT FRAME    |
| 4   | P7103004 | WHEEL          |
| 5   | P7103005 | AXLE           |
| 6   | P7103006 | AXLE SUPPORT   |
| 7   | P7103007 | HANDLES        |
| 8   | P7103008 | LEGS           |

| REF | PART#    | DESCRIPTION                |
|-----|----------|----------------------------|
| 9   | P7103009 | RAIL                       |
| 10  | P7103010 | HANDLE COVERS              |
| 11  | PS16M    | PHLP HD SCREW M8-1.25 X 16 |
| 12  | PW01M    | FLAT WASHER 8MM            |
| 13  | PLW04M   | LOCK WASHER 8MM            |
| 14  | PN03M    | HEX NUT M8-1.25            |
| 15  | PS88M    | PHLP HD SCREW M8-1.25 X 50 |