

TOOL CART MODEL G8163 INSTRUCTION SHEET

Inventory (Figure 2)

A.	Bottom Tray.....	1
B.	Middle Tray.....	1
C.	Top Tray (w/Hooks).....	1
D.	Front Posts.....	2
E.	Rear Posts (w/Axle Sleeves).....	2
F.	Handle.....	1
G.	Wheels.....	2
H.	Swivel Casters.....	2
I.	Support Bar.....	1
J.	Axle.....	1
K.	Bolt Bag.....	1
	—Slot Head Screws M6-1 x 12.....	44
	—Slot Head Screws M6-1 x 35.....	4
	—Flat Washers 6mm.....	48
	—Hex Nuts M6-1.....	48
	—Cotter Pins 2.5 x 35mm.....	2
	—Flat Washers 16mm.....	2
	—Slot Head Screws M8-1.25 x 16.....	8
	—Hex Nuts M8-1.25.....	8

Assembly

1. Secure the swivel casters to the bottom tray with the 8mm screws and hex nuts.
2. Attach the front and rear posts to the lower and middle tray with M6-1 x 12 screws, flat washers, and hex nuts.
3. Attach the top tray to the rear posts so that the tray hooks point toward the front of the cart.
4. Secure the support bar to the front posts and the top tray with the M6-1 x 12 screws, flat washers, and hex nuts.
5. Slide the axle through the sleeves on the bottom of the rear posts until centered in the sleeves.
6. Slide the wheels onto each end of the axle and secure them in place with the 16mm flat washers and cotter pins.
7. Mount the handle with the four M6-1 x 35 screws, flat washers, and hex nuts.



Figure 1. Model G8163 (max load 175 lbs.).

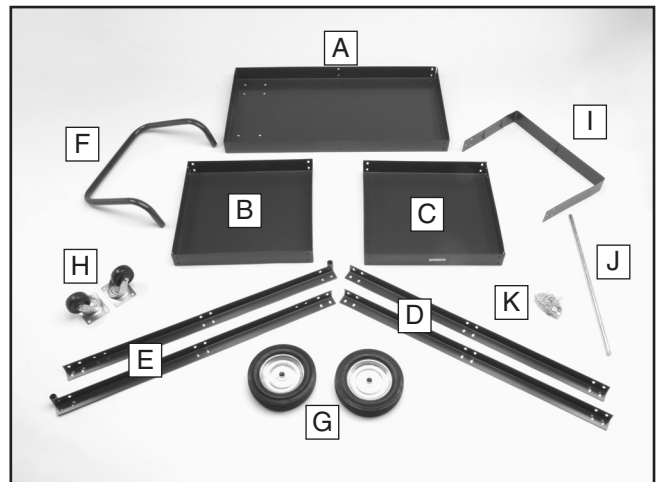


Figure 2. Inventory parts.

⚠️ WARNING

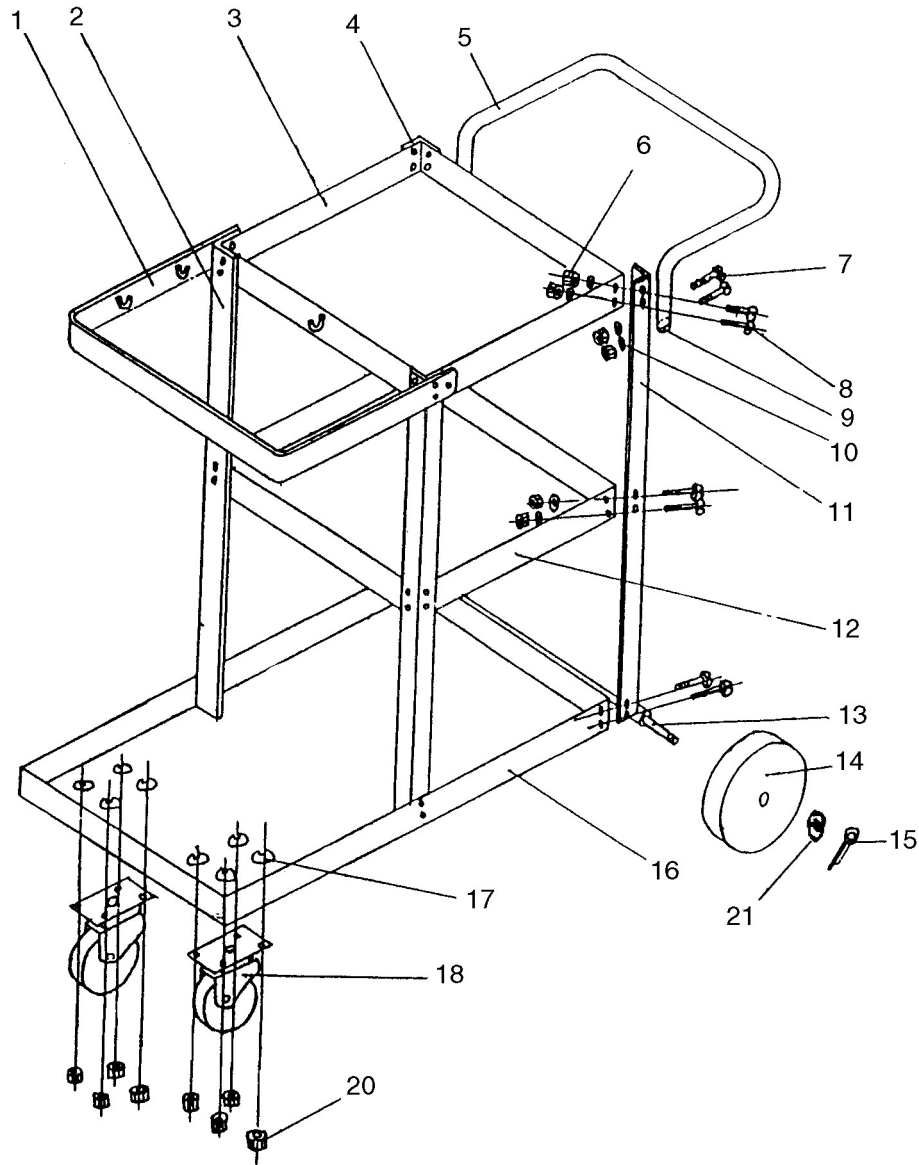
Children may climb into plastic bags and suffocate. Keep all plastic bags included in packaging out of the reach of children.

⚠️ CAUTION

Adult supervision is always required while this platform truck is being used by children.

If you need additional help with this assembly, call our service department at: (570) 546-9663.

G8163 Parts Breakdown and List



1	P8163001	SUPPORT BAR
2	P8163002	FRONT POST
3	P8163003	TOP TRAY
4	P8163004	REAR POST (R)
5	P8163005	HANDLE
6	PN01M	HEX NUT M6-1
7	PS31M	SLOT HEAD SCREW M6-1 x 35
8	PS14M	SLOT HEAD SCREW M6-1 X 12
9	P8163009	HANDLE PLUG
10	PW03M	FLAT WASHER 6MM

11	P8163011	REAR POST (L)
12	P8163012	MIDDLE TRAY
13	P8163013	AXLES
14	P8163014	WHEEL 8" X 1.75
15	P0542042	COTTER PIN 2.5 X 35
16	P8163016	BOTTOM TRAY
17	PS16M	SLOT HEAD SCREW M8-1.25 X 16
18	P8163018	SWIVEL CASTER SC37
20	PN03M	HEX NUT M8-1.25
21	PW08M	FLAT WASHER 16MM

COPYRIGHT © JUNE, 2004 BY GRIZZLY INDUSTRIAL, INC.
WARNING: NO PORTION OF THIS MANUAL MAY BE REPRODUCED IN ANY SHAPE OR FORM WITHOUT THE WRITTEN APPROVAL OF GRIZZLY INDUSTRIAL, INC.
 #TR6387 PRINTED IN CHINA