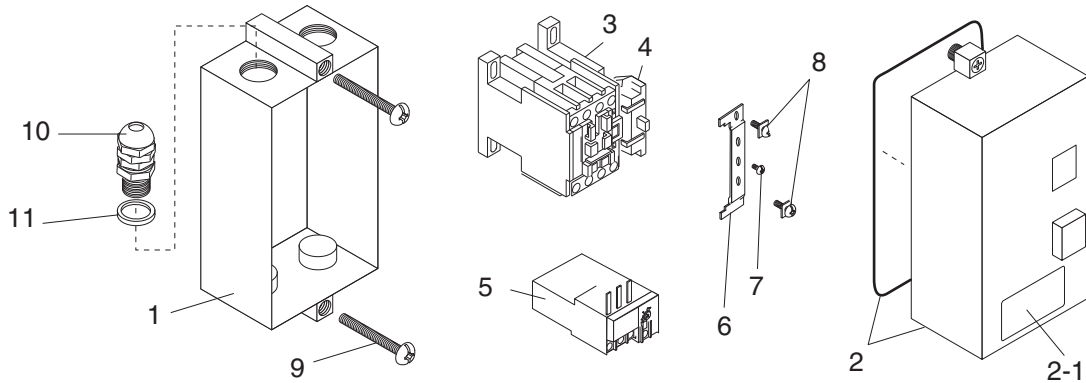


# Model G8292 Magnetic Switch Parts



REF	PART #	DESCRIPTION
1	P4668001	SWITCH BOX
2	P4668002	SWITCH BOX COVER ASSEMBLY
2-1	P4668002-1	DATA LABEL, HNFB-18
3	P8292003	CONTACTOR TECO CN-18 110V
4	P4668004	FIELD SWITCH
5	P8292005	RELAY TECO RHN-18 23-32A

REF	PART #	DESCRIPTION
6	P4668006	CONTACTOR RETAINER
7	PS38M	PHLP HD SCR M4-.7 X 10
8	P4571008	CAPTURED GROUND SCR M4-.7 X 10
9	PS10	PHLP HD SCR 10-24 X 1-1/2
10	P4571010	LIQUID-TITE STRAIN RELIEF
11	P4571011	RUBBER SEAL

COPYRIGHT © JANUARY, 2008 BY GRIZZLY INDUSTRIAL, INC. WARNING: NO PORTION OF THIS MANUAL MAY BE REPRODUCED IN ANY SHAPE OR FORM WITHOUT THE WRITTEN APPROVAL OF GRIZZLY INDUSTRIAL, INC.

#CR10363 PRINTED IN TAIWAN

