

Panther™

panthercarts.com

NURSERY PUSH CART WITH FOLD DOWN SIDES

MODEL H3036

INSTRUCTION SHEET



COPYRIGHT © JUNE, 2004 BY GRIZZLY INDUSTRIAL, INC.
**WARNING: NO PORTION OF THIS MANUAL MAY BE REPRODUCED IN ANY SHAPE
OR FORM WITHOUT THE WRITTEN APPROVAL OF GRIZZLY INDUSTRIAL, INC.**
#CA6402 PRINTED IN CHINA

PARTS INVENTORY

The Model H3036 was carefully packed when it left our warehouse. If you discover this cart is damaged after you have signed for delivery, *please immediately call Customer Service at (570) 546-9663 for advice.*

Save the containers and all packing materials for possible inspection by the carrier or its agent. *Otherwise, filing a freight claim can be difficult.*

When you are completely satisfied with the condition of your shipment, you should inventory the contents.

Figure 1 - Frame Components

A.	Base	1
B.	Long Fence	2
C.	Top Plate	1
D.	Short Fence.....	2

Figure 2 - More Components

A.	Casters 4.10-3.50-4.....	2
B.	Axle Bracket	1
C.	Axle Brace	2
D.	Post	4
E.	Support Bracket.....	1
F.	Handle	1
G.	Wheels 4.10-3.50-4	2
H.	Bolt Bag.....	1
	—Hex Bolts M8-1.25 x 38	4
	—Hex Bolts M10-1.5 x 25	8
	—Hex Bolts M8-1.25 x 20	25
	—Lock Washers 12mm	2
	—Flat Washers 12mm	2
	—Acorn Nuts M12-1.75.....	2
	—Flat Washers 8mm	29
	—Lock Nuts M8-1.25	29
	—Hex Nuts M10-1.5.....	8
	—Lock Washers 10mm.....	8
	—Flat Washers 10mm	8

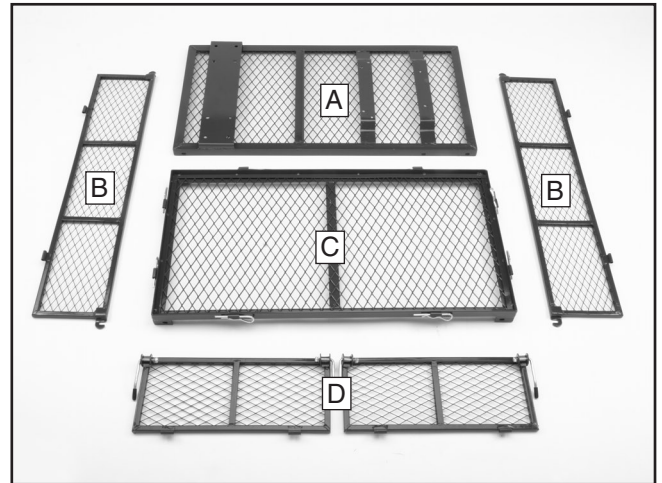


Figure 1. Frame components.

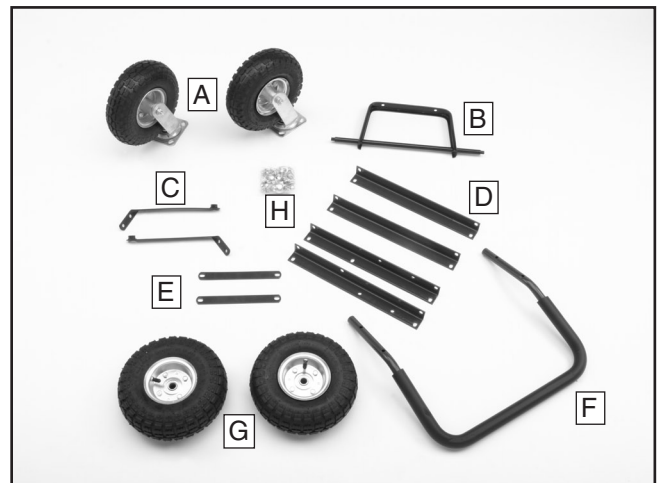


Figure 2. More components.

⚠ WARNING

Children may climb into plastic bags and suffocate. Keep all plastic bags included in packaging out of the reach of children.

⚠ CAUTION

Adult supervision is always required while this wagon is being used by children.

ASSEMBLY INSTRUCTIONS

When assembling the Model H3036, tighten all nuts and bolts finger tight, then, when the cart is assembled, tighten all nuts and bolts firmly.

Axle Bracket And Wheels

1. Bolt the axle bracket to the base using M8-1.25-20 hex bolts, flat washers, and lock nuts.
2. Slide the left and right axle braces on their corresponding sides and bolt them to the base with M8-1.25 x 20 hex bolts, flat washers, and lock nuts.
3. Slide a wheel onto each axle with the valve stems facing outwards, and secure with M12-1.75 acorn nuts and flat washers.
4. Bolt the casters to the base with M10-1.5 x 25 hex bolts, flat washers, lock washers, and hex nuts.

Posts, Support Brackets And Top Plate

1. Mount the posts with no holes drilled in the middle to the front of the base with M8-1.25 x 20 hex bolts, flat washers, and lock nuts.

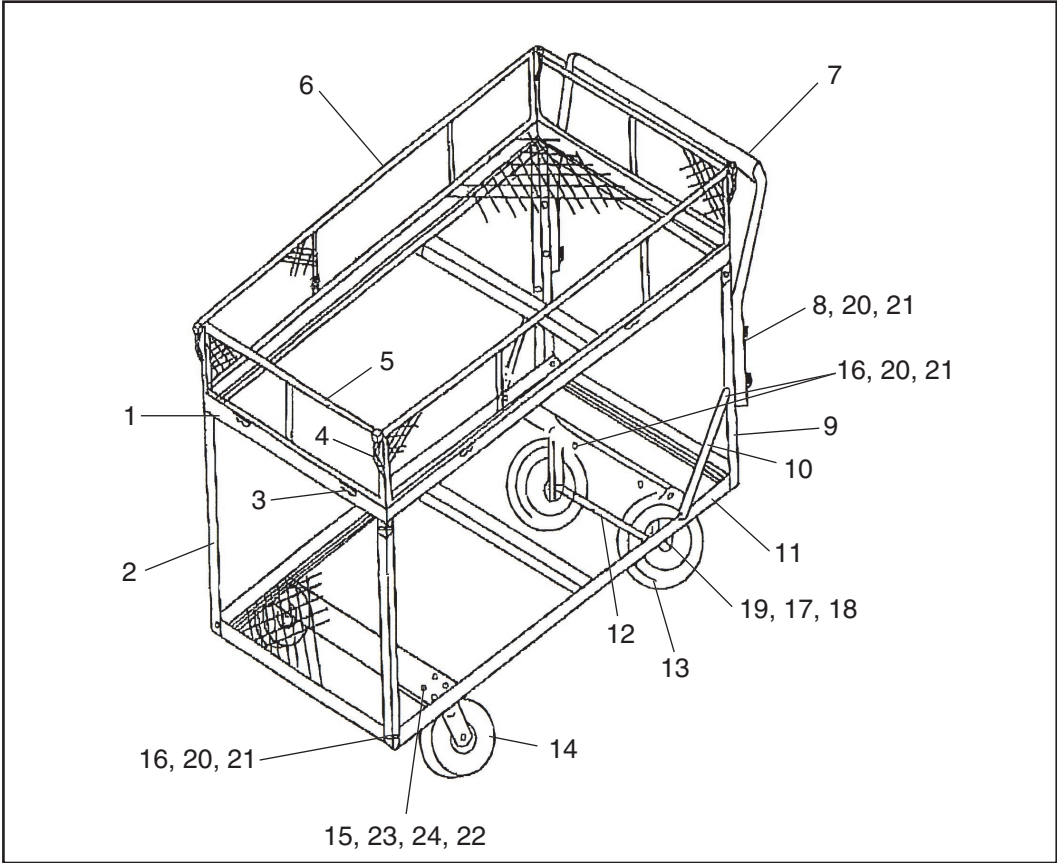
2. Mount the remaining posts to the rear of the base with M8-1.25-20 hex bolts, flat washers, and lock nuts. *NOTE—The side of the rear posts with one hole drilled in the middle must go to the outside. Test fit the support bracket to ensure correct installation of the posts.*
3. Bolt the support bracket to the base and rear posts with M8-1.25 x 20 hex bolts, flat washers, and lock nuts.
4. Place the top plate on the posts and secure with M8-1.25 x 20 hex bolts, flat washers, and lock nuts.

Fences And Handle

1. Secure the long fences and short fences to the top plate with the hinge pins.
2. Bolt the handle to the posts with the M8-1.25 x 38 hex bolts, flat washers, and lock nuts.

If you need additional help with this procedure, call our service department at: (570) 546-9663.

H3036 Parts Breakdown and List



REF	PART#	DESCRIPTION
1	PH3036001	TOP PLATE
2	PH3036002	FRONT POST
3	PH3036003	HINGE PIN
4	PH3036004	FENCE LATCH
5	PH3036005	SHORT FENCE
6	PH3036006	LONG FENCE
7	PH3036007	HANDLE
8	PB126M	HEX BOLT M8-1.25 X 38
9	PH3036009	BACK POST
10	PH3036010	SUPPORT BRACKET
11	PH3036011	BASE
12	PH3036012	AXLE BRACKET

REF	PART#	DESCRIPTION
13	PH3036013	WHEEL 4.10-3.50-4
14	PH3036014	CASTER 4.10-3.50-4
15	PB32M	HEX BOLT M10-1.5 X 25
16	PB09M	HEX BOLT M8-1.25 X 20
17	PLW05M	LOCK WASHER 12MM
18	PW06M	FLAT WASHER 12MM
19	PN26M	HEX NUT ACORN M12-1.75
20	PW01M	FLAT WASHER 8MM
21	PLN04M	LOCK NUT M8-1.25
22	PN02M	HEX NUT M10-1.5
23	PLW06M	LOCK WASHER 10MM
24	PW04M	FLAT WASHER 10MM