



D3124 OPTIONAL EXTENSION TABLE

INSTRUCTION SHEET

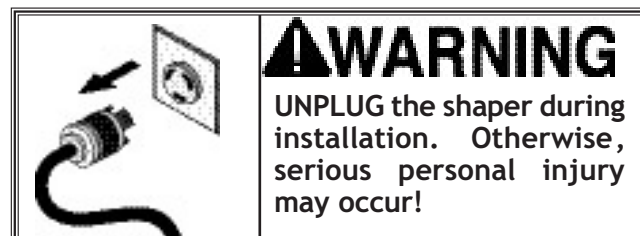


Introduction

Made with high-quality laminated wood in a reinforced design, this 23" deep x 40" wide extension table snugly fits the SHOP FOX® Model W1674 2 HP Shaper table. Covered with strong laminate, this economical and light-weight extension table will last many years. The miter slot is also slightly wider than that of the table for ease of miter alignment.

Important

- **READ** and understand your shaper Instruction Manual before using this extension table. Otherwise, serious personal injury may occur!
- Woodstock International Inc. is not responsible for damage or injuries caused by improper installation or use of the Optional Extension Table.
- **DO NOT** modify this Optional Extension Table in any way to fit on a different brand of shaper, or modify it for a job that it is not designed for.
- **DO NOT** use the table edge as a fulcrum to pivot heavy lumber onto the table, as this may damage the table and laminate edge.
- **DO NOT** store the table in a damp or a very hot location. The table is made of wood and it may warp, delaminate, or catch fire.



WARNING

UNPLUG the shaper during installation. Otherwise, serious personal injury may occur!



CAUTION

GET installation assistance to hold the extension table in position while you bolt it to the shaper table.

REF	PART #	DESCRIPTION
1	XPW02	FLAT WASHER 3/8"
2	XPB18	HEX BOLT 3/8"-16 x 1"

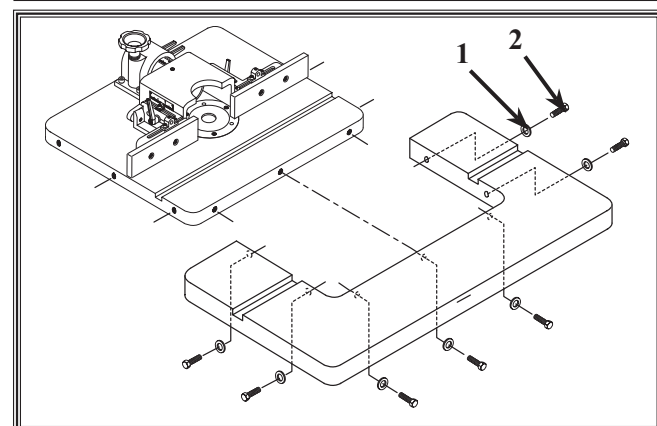


Figure 1. Extension table and mounting hardware.

Installation

To install the extension table, do these steps:

1. Have an assistant hold the extension table in position so it mates flush with the shaper table.
2. Install seven 3/8" flat washers and seven 3/8"-16 x 1" bolts and tighten finger tight. See **Figure 1**.
3. Hold tables flush with one another and tighten the mounting bolts in an alternating pattern until snug.
4. For questions on this product, contact your dealer, or call Woodstock International Technical Support Department at 1-360-734-3482, or e-mail us at: tech-support@shopfox.biz.

SHOP FOX® is a registered trademark of Woodstock International, Inc.

COPYRIGHT © 2003 BY WOODSTOCK INTERNATIONAL, INC. WARNING: NO PORTION OF THIS DOCUMENT MAY BE REPRODUCED IN ANY SHAPE OR FORM WITHOUT THE WRITTEN APPROVAL OF WOODSTOCK INTERNATIONAL, INC.

shopfox.biz