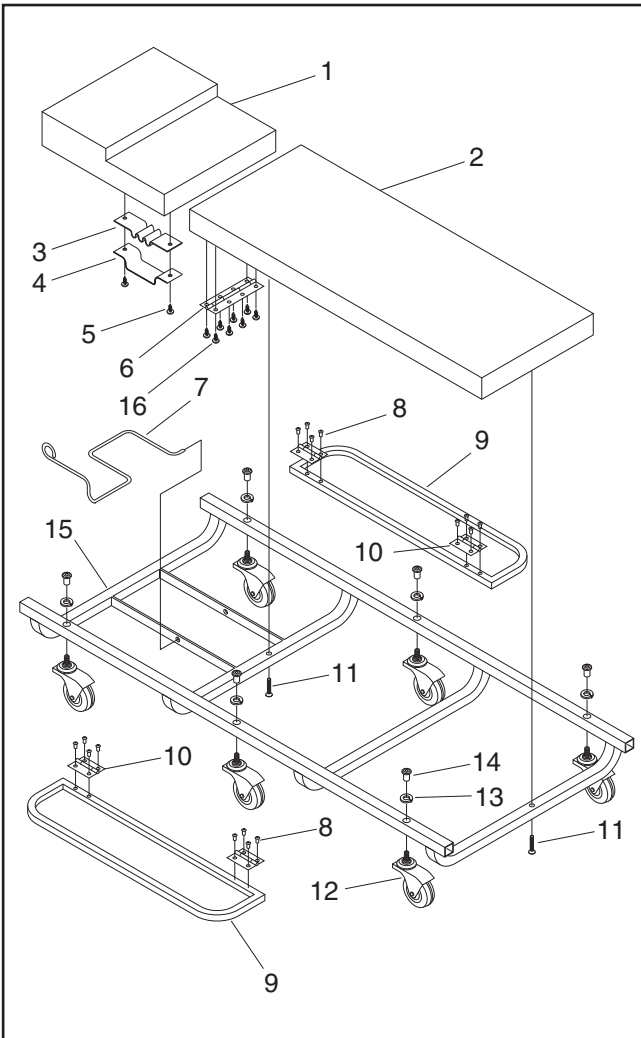




40" Creeper with Headrest and Trays MODEL H6234



40" Creeper with Headrest and trays



!WARNING

Failure to follow these instructions will result in serious personal injury:

1. Never work under a vehicle when the engine is running.
2. Set the parking brake on the vehicle.
3. Make sure the vehicle is properly supported on jack stands. **DO NOT** work under a vehicle that is only supported by a jack, cinder blocks or stacked blocks.
4. **DO NOT** work under a vehicle that has had all of the wheels and tires removed, or has all four wheels off of the ground.
5. Make sure the wheels that are on the ground are chocked.
6. Wear eye protection such as safety glasses or a face shield.

REF	PART #	DESCRIPTION
1	PH6234001	HEADREST
2	PH6234002	BACKREST
3	PH6234003	HEADREST SUPPORT
4	PH6234004	SUPPORT BRACKET
5	PHTEK20M	TAP SCREW M5 X 14
6	PH6234006	HEADREST HINGE
7	PH6234007	HEADREST ANGLE LEVER
8	PH6234008	RIVET
9	PH6234009	TOOL TRAY
10	PH6234010	TRAY HINGE
11	PFH03M	FLAT HD SCR M6-1 X 40
12	PH6234012	SWIVEL CASTER
13	PLW06M	LOCK WASHER 10MM
14	PH6234014	BUTTON HD SLEEVE NUT
15	PH6234015	FRAME
16	PHTEK19M	TAP SCREW M5 X 16

COPYRIGHT © AUGUST, 2004 BY GRIZZLY INDUSTRIAL, INC. REVISED MARCH, 2009 (TR)
WARNING: NO PORTION OF THIS MANUAL MAY BE REPRODUCED IN ANY SHAPE OR FORM WITHOUT THE WRITTEN APPROVAL OF GRIZZLY INDUSTRIAL, INC.

#EW6459 PRINTED IN CHINA