



## MODEL H8165/66/67/68 NOISE REDUCTION KIT FOR CYCLONE DUST COLLECTORS

### Introduction

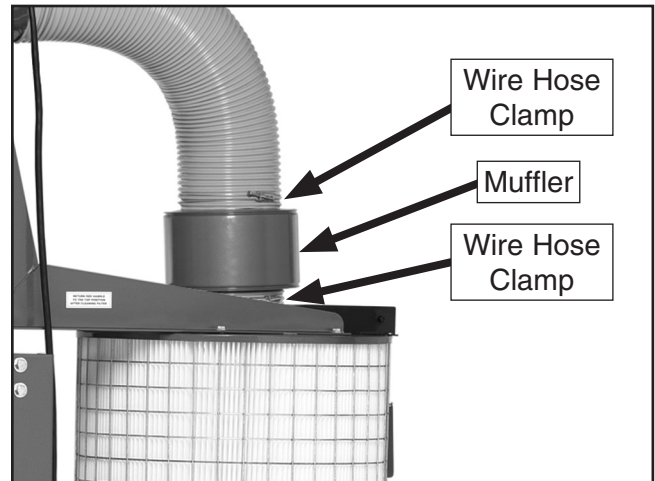
These noise reduction kits significantly reduce the noise level of cyclone dust collectors without causing efficiency loss.

### Installation Instructions

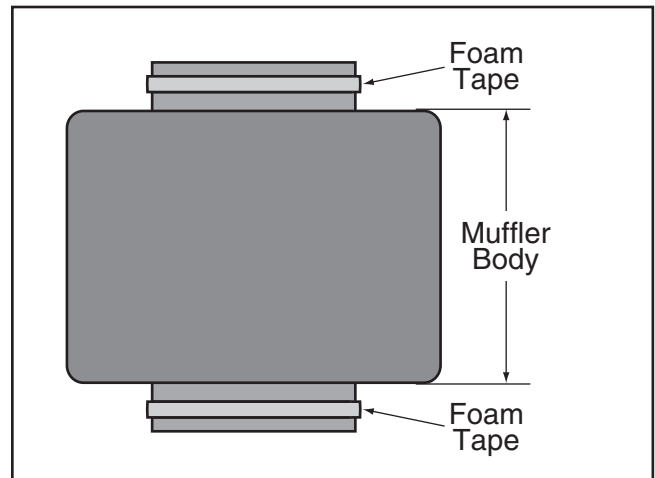
The mufflers are best installed in the outlet hose, as close to the filter as possible. The installation consists of removing a section of the outlet hose and installing the muffler in its place. Wire hose clamps are provided to secure the muffler to the outlet hose (see **Figure 1**).

#### To install the muffler:

1. Measure the size of the muffler body (see **Figure 2**).
2. Using a felt-tip marker, mark a section of the outlet hose equal in length to the muffler body. **IMPORTANT:** Leave at least 4" of outlet hose between the filter and the muffler.
3. Remove the portion of the outlet hose marked in **Step 2**.
4. Fit the wire hose clamps over the ends of the outlet hose and slide them back at least 2" from the opening.
5. Apply the 3 x 15mm foam tape to the top and bottom rims of the muffler (see **Figure 2**).
6. Fit the ends of the outlet hose completely over the ends of the muffler.
7. Slide the wire hose clamps down to the end of the hose near the body, then tighten them to secure the muffler in place.



**Figure 1.** Noise reducing kit installed.



**Figure 2.** Size of muffler body.

*If you need help installing the noise reducing kit, call our Tech Support at: (570) 546-9663.*

COPYRIGHT © NOVEMBER, 2006 BY GRIZZLY INDUSTRIAL, INC. REVISED NOVEMBER, 2009.

**WARNING: NO PORTION OF THIS MANUAL MAY BE REPRODUCED IN ANY SHAPE OR FORM WITHOUT THE WRITTEN APPROVAL OF GRIZZLY INDUSTRIAL, INC.**

#TR8803 PRINTED IN TAIWAN