



# Shelf Racks

## MODELS H2872 & H2873

### INSTRUCTION SHEET

#### Model H2872 Inventory

A. Shelf .....	3
B. Legs.....	4
C. Corner Braces .....	24
D. Bolt Bag.....	1
—Plastic Feet.....	4
—Slotted Screw M6-1 x 10 .....	56
—Square Bolts M6-1 .....	56

#### Model H2873 Inventory

A. Shelf .....	5
B. Legs (shipped in separate box).....	4
C. Corner Braces .....	40
D. Bolt Bags.....	2
—Plastic Feet.....	4
—Slotted Screw M6-1 x 10 .....	130
—Square Bolts M6-1 .....	130

#### Assembly

1. Lay legs on the floor so the corners face out and press a plastic foot on one end of each leg.
2. The corner braces are joined in the middle by a tab. Bend the tab to a 90 degree angle so the corner braces match the inside corner of the leg.
3. Start with the bottom shelf and the bottom holes of the leg. Secure the bottom two holes of the brace to the inside corner of the leg with M6-1 x 10 slotted screws and M6 square nuts. *Note—Finger tighten bolts until assembly is complete.*
4. The shelf is secured by the upper two bolts in the corner brace. With the shelf on the inside corner of the leg and corner brace, insert an M6-1 x 10 slotted screw through the leg, corner brace and shelf. Follow with an M6-1 square nut. Insert the second screw through the corner brace and shelf.
6. Continue around each corner of the shelf until complete.
7. Determine the location of remaining shelves and repeat **steps 2–6**.

8. After shelving unit is assembled and aligned, tighten all the nuts and bolts.

*If you need additional help with this procedure, call our service department at: (570) 546-9663.*



Figure 1. Models H2872 & H2873.

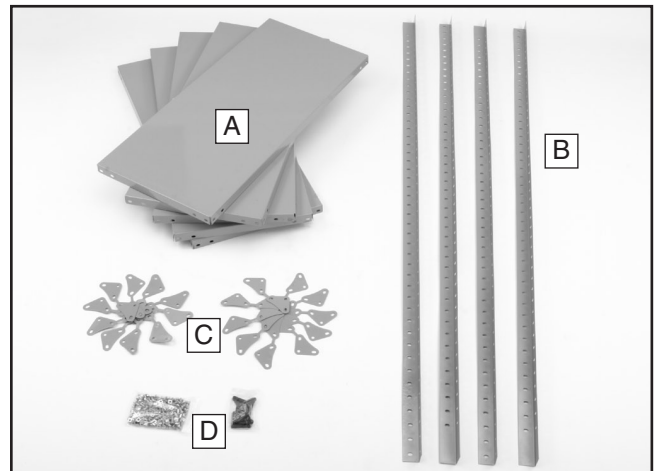
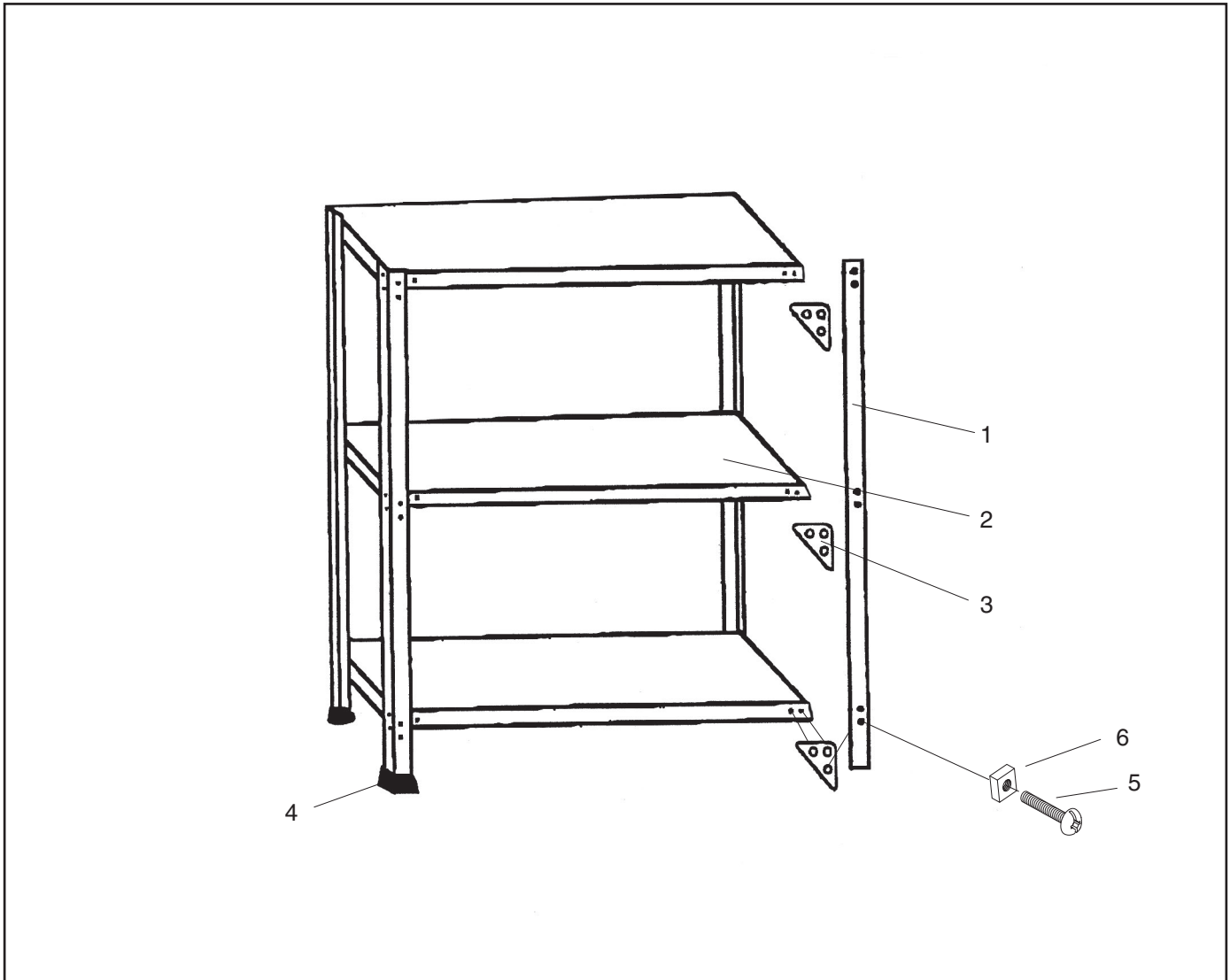


Figure 2. Inventory parts.

### **WARNING**

**Tipping shelf can cause severe injury or death. Secure unit to wall or other stationary object.**

# H2872 & H2873 Parts Breakdown and List



## Model H2872

REF	PART #	DESCRIPTION
1	PH2872001	LEG
2	PH2872002	SHELF
3	PH2872003	CORNER BRACE
4	PH2872004	PLASTIC FEET
5	PS68M	SLOTTED SCREW M6-1 X 10
6	P8976044	SQUARE NUT M-6

## Model H2873

REF	PART #	DESCRIPTION
1	PH2873001	LEG
2	PH2873002	SHELF
3	PH2872003	CORNER BRACE
4	PH2872004	PLASTIC FEET
5	PS68M	SLOTTED SCREW M6-1 X 10
6	P8976044	SQUARE NUT M-6

COPYRIGHT © JULY, 2004 BY GRIZZLY INDUSTRIAL, INC.  
**WARNING: NO PORTION OF THIS MANUAL MAY BE REPRODUCED IN ANY SHAPE  
 OR FORM WITHOUT THE WRITTEN APPROVAL OF GRIZZLY INDUSTRIAL, INC.**  
 #PC6407 PRINTED IN CHINA