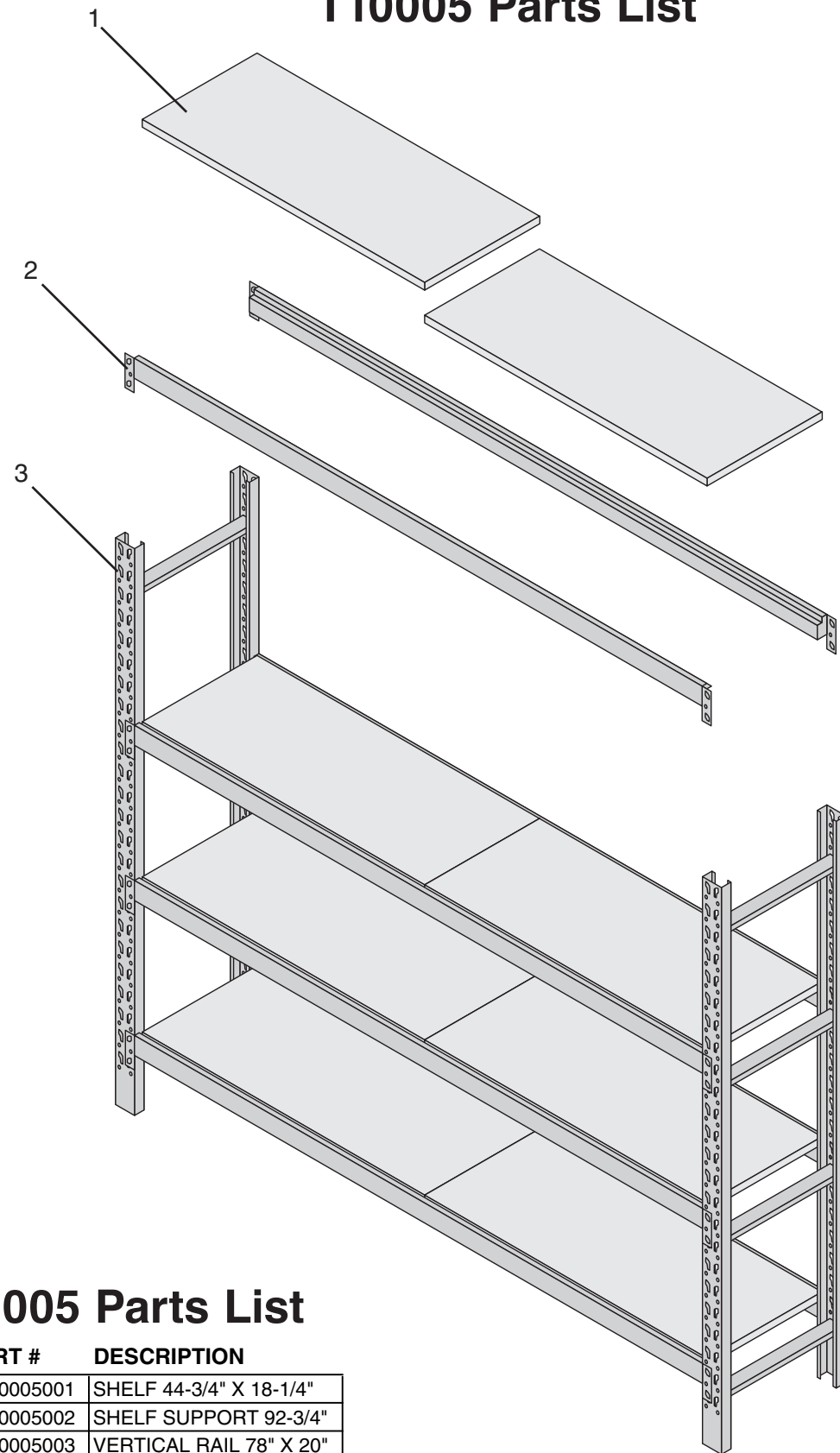


# T10005 Parts List



# T10005 Parts List

REF PART #	DESCRIPTION
1	PT10005001 SHELF 44-3/4" X 18-1/4"
2	PT10005002 SHELF SUPPORT 92-3/4"
3	PT10005003 VERTICAL RAIL 78" X 20"

COPYRIGHT © SEPTEMBER, 2007 BY GRIZZLY INDUSTRIAL, INC.  
**WARNING: NO PORTION OF THIS MANUAL MAY BE REPRODUCED IN ANY SHAPE OR FORM WITHOUT THE WRITTEN APPROVAL OF GRIZZLY INDUSTRIAL, INC.**  
 #TJ10002 PRINTED IN CHINA





## MODEL T10004 & T10005 HEAVY-DUTY SHELF UNITS INSTRUCTION SHEET



Figure 1. T10004 & T10005 Shelf Units.

### T10004 Specifications

Overall Size ..... 72<sup>3</sup>/<sub>8</sub>"W x 18"D x 78"T  
 Shelf Size ..... 66"W x 16<sup>1</sup>/<sub>2</sub>"D  
 Number of Shelves ..... 4

### T10005 Specifications

Overall Size ..... 96<sup>1</sup>/<sub>4</sub>"W x 20"D x 78"T  
 Shelf Size ..... 89<sup>1</sup>/<sub>2</sub>"W x 18<sup>1</sup>/<sub>4</sub>"D  
 Number of Shelves ..... 4

### T10004 / T10005 Inventory

	Qty.
A. Shelf Support .....	8
B. Vertical Rail .....	2
C. Shelf .....	8

### Assembly

After unpacking your shelving unit, inventory the parts. You will need a large bench or open floor area to assemble the shelves.

1. Begin by attaching a shelf support to the bottom of a vertical rail, as shown in **Figure 2**. Align the two indented lips on the end of the shelf support with two slots on the vertical rail. Insert and push them downward, locking them into place.
2. Repeat this procedure to attach the opposite end of the shelf support to the other vertical rail, as shown in **Figure 3**.

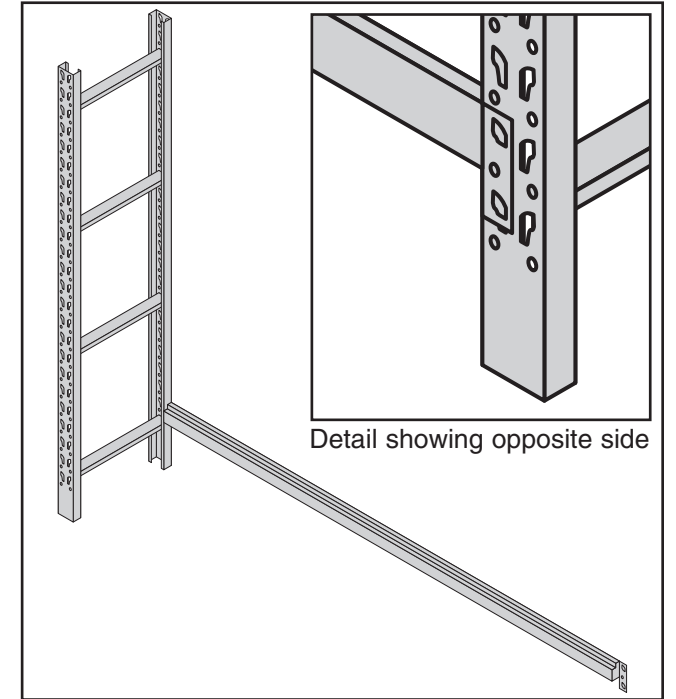


Figure 2. Attaching first shelf support.

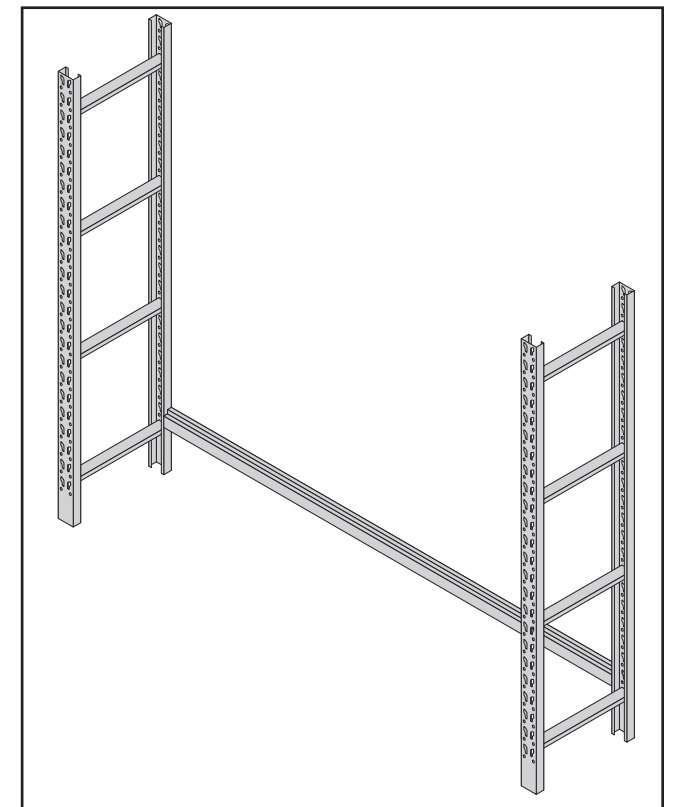
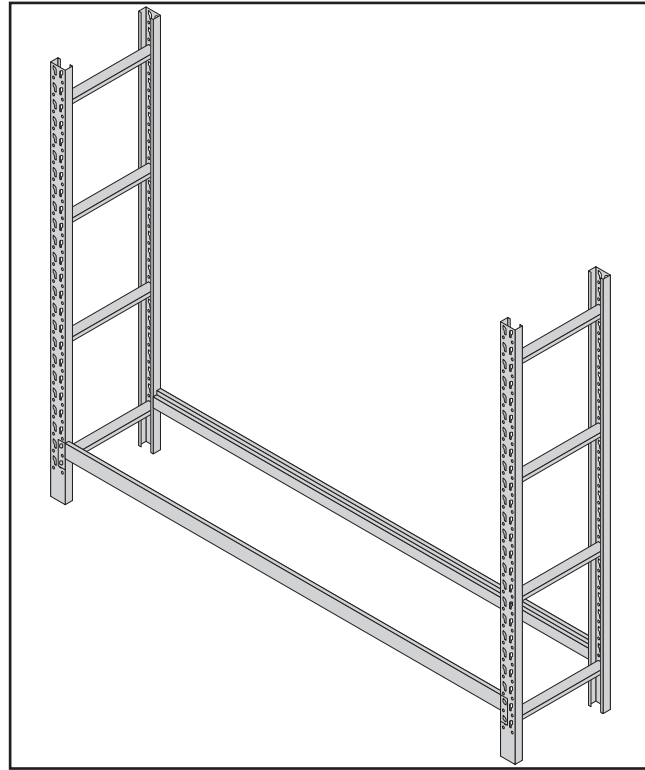


Figure 3. Attaching second vertical rail.

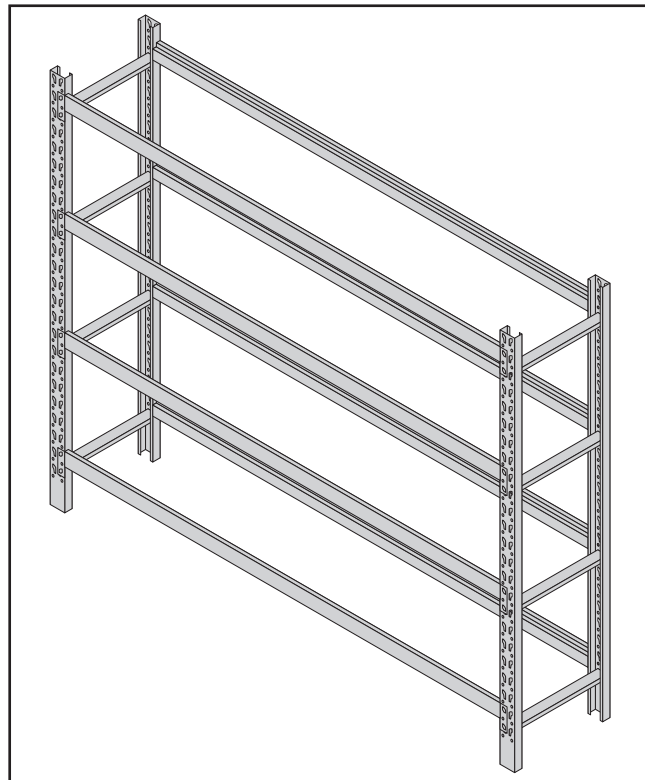


- Attach a second shelf support at the same height as the first, as shown below in **Figure 4**.



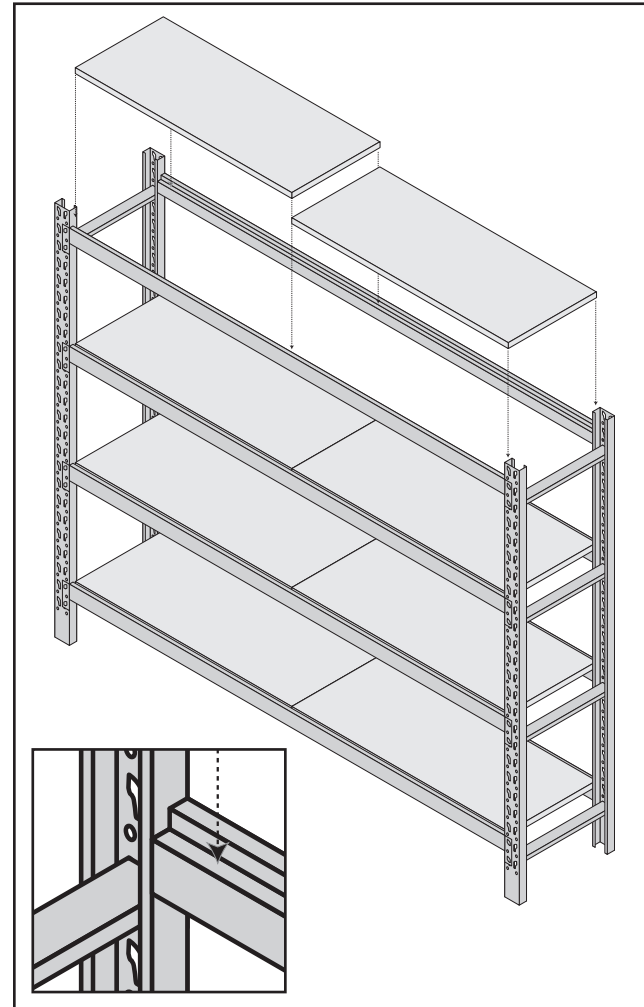
**Figure 4.** Attaching a second shelf support.

- Attach the remaining shelf supports at the desired heights, making sure the shelf supports are all parallel to one another (**Figure 5**).



**Figure 5.** Shelf supports installed.

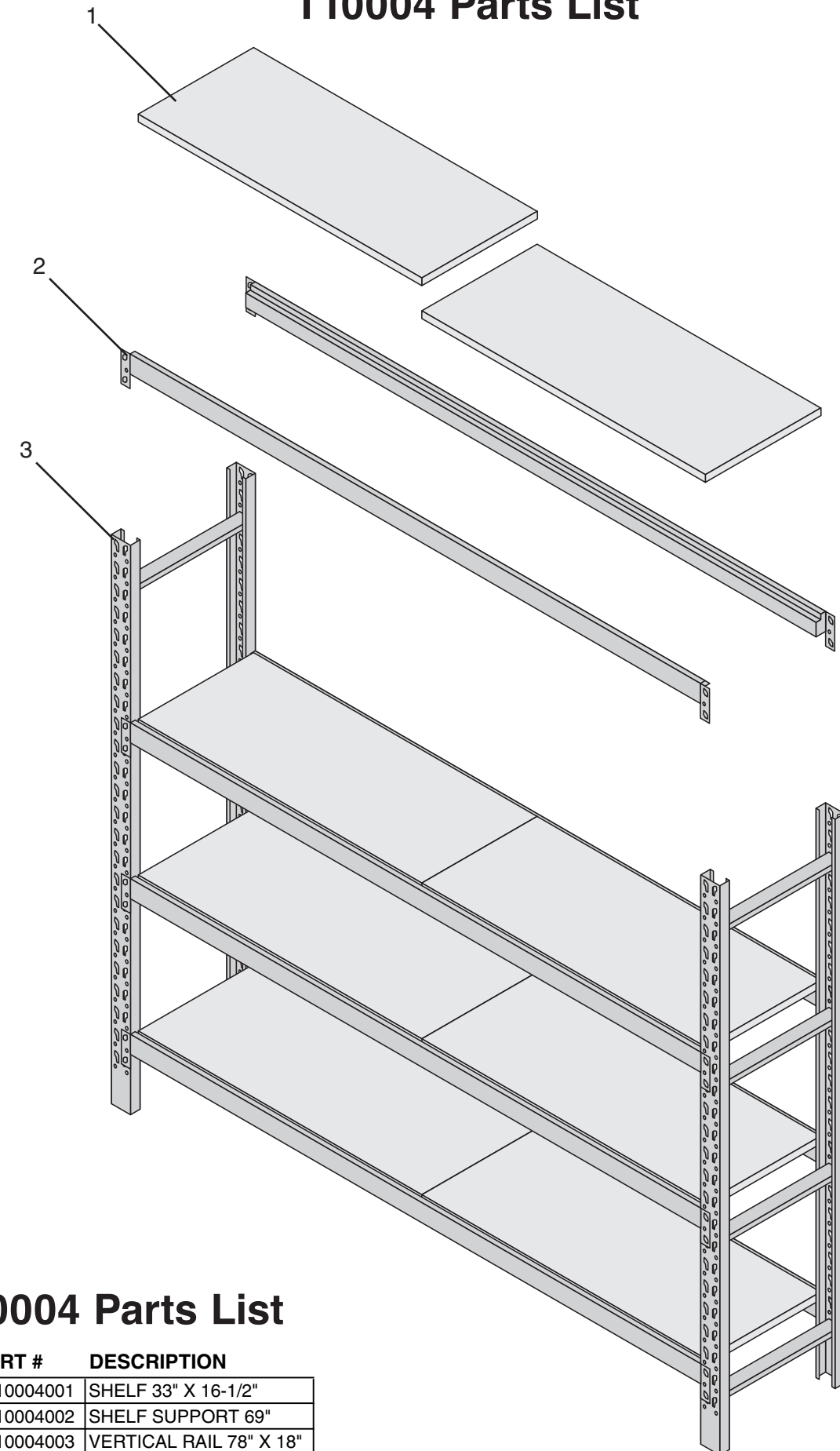
- Place the shelf panels within the grooves of the shelf supports as shown in **Figure 6**.



**Figure 6.** Placing shelves on supports.

*If you need help with your new item, call our Tech Support at: (570) 546-9663.*

## T10004 Parts List



## T10004 Parts List

REF PART #	DESCRIPTION
1	PT10004001 SHELF 33" X 16-1/2"
2	PT10004002 SHELF SUPPORT 69"
3	PT10004003 VERTICAL RAIL 78" X 18"

