



MODEL T10026 PAIR OF ALUMINUM WHEEL DOLLIES INSTRUCTION SHEET

⚠️ WARNING

To reduce the risk of serious personal injury or property damage when using these dollies:

- **DO NOT** overload these dollies beyond the rated capacity of 1000 lbs each. Check the listed weight of the vehicle to be supported before loading. Overloading may result in personal injury or property damage.
- Always check for worn or damaged parts before using the dollies.
- **ONLY** use these dollies on level surfaces. Avoid slopes.
- Always make sure that the vehicle tires are centered in the cradle and that all four casters of the dolly are firmly on the ground.
- Always apply the parking brake, and use wheel chocks against the tires to prevent accidental rolling.
- Always prevent the dollies from rolling when raising the other end of the vehicle and during use.
- Keep as much of your body as possible out from underneath the vehicle when placing or removing the dollies.
- Never modify or alter these dollies.
- Never work under the vehicle when it is supported by the dollies.

Introduction

The Model T10026 aluminum dollies support a load of up to 1000 lbs each. Sturdy aluminum construction and swivel casters raise the vehicle only 1" above the floor.

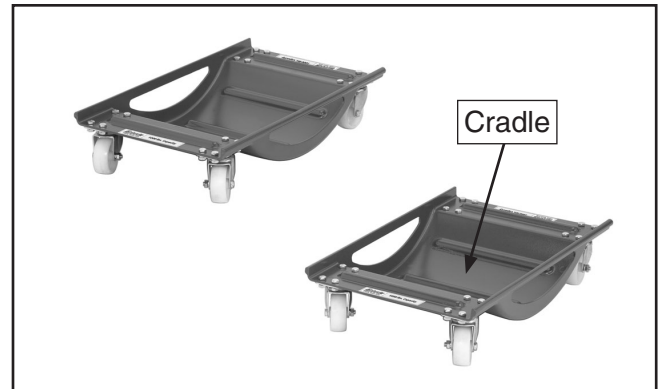


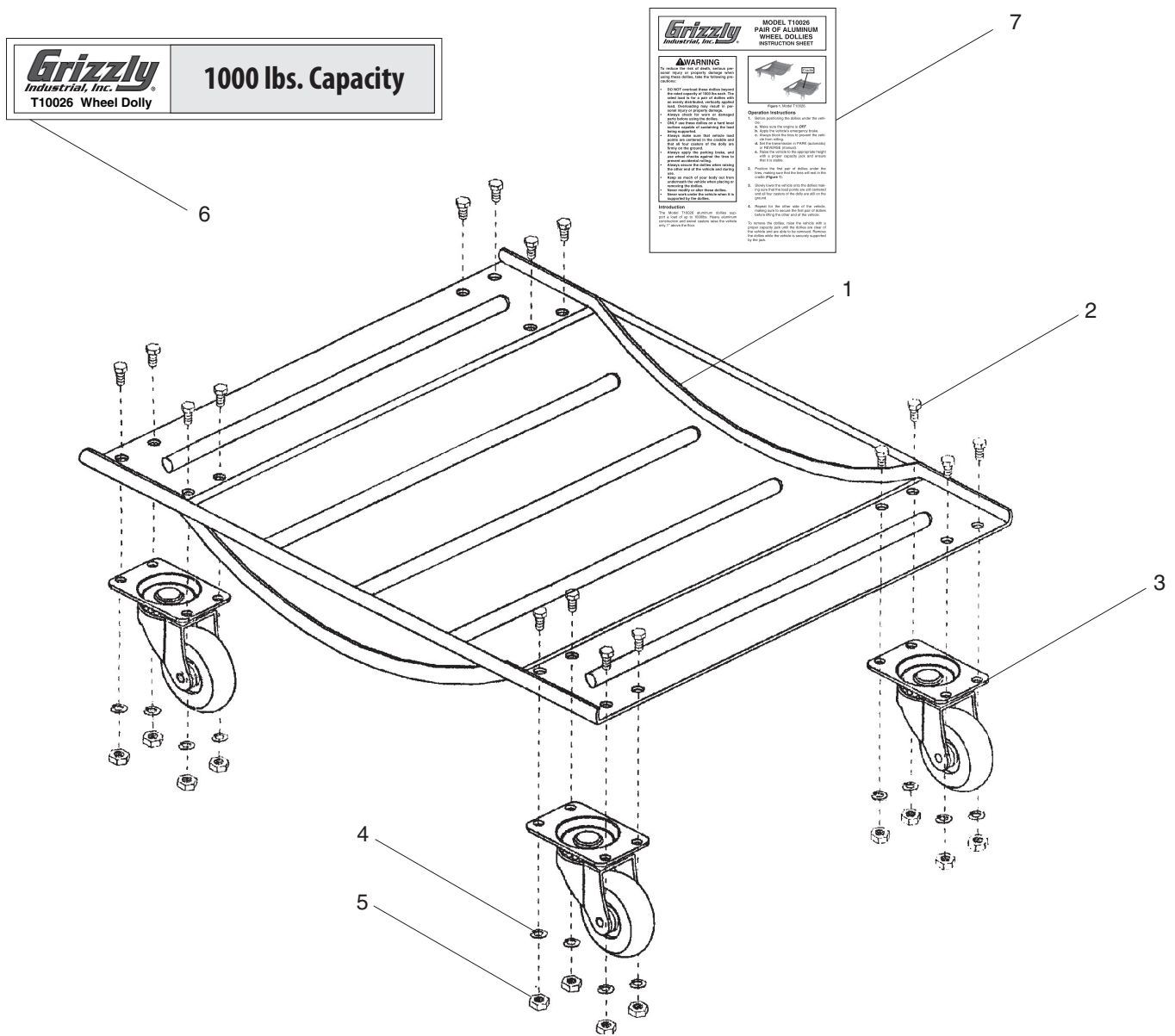
Figure 1. Model T10026.

Operation Instructions

1. Before positioning the dollies under the vehicle:
 - a. Make sure the engine is **OFF**.
 - b. Apply the vehicle's emergency brake.
 - c. Always block the tires to prevent the vehicle from rolling.
 - d. Set the transmission in PARK (automatic) or REVERSE (manual).
 - e. Raise the vehicle to the appropriate height with a proper capacity jack and ensure that it is stable.
2. Position the pair of dollies under the tires, making sure that the tires will rest in the cradle (**Figure 1**).
3. Slowly lower the vehicle onto the dollies making sure that the tires are still centered and all four casters of the dolly are still on the ground.
4. If using four dollies, repeat **steps 1–3** for the other side of the vehicle, making sure to secure the first pair of dollies before lifting the other end of the vehicle.

To remove the dollies, raise the vehicle with a proper capacity jack until the tires are clear of the dollies. Remove the dollies while the vehicle is securely supported by the jack.

T10026 Parts Breakdown and Parts List



Assembly

Refer to the breakdown drawing for dolly assembly. *If you need help with the Model T10026, call our Technical Support line at: (570) 546-9663.*

REF	PART #	DESCRIPTION	QTY
1	PT10026001	BASE	2
2	PB03M	HEX BOLT M8-1.25 X 16	32
3	PT10026003	SWIVEL CASTER 3"	8
4	PLW04M	LOCK WASHER 8MM	32

REF	PART #	DESCRIPTION	QTY
5	PN03M	HEX NUT M8-1.25	32
6	PT10026006	T10026 CAPACITY LABEL	4
7	PT10026MAN	T10026 MANUAL 11/07	1

COPYRIGHT © NOVEMBER, 2007 BY GRIZZLY INDUSTRIAL, INC.

WARNING: NO PORTION OF THIS MANUAL MAY BE REPRODUCED IN ANY SHAPE OR FORM WITHOUT THE WRITTEN APPROVAL OF GRIZZLY INDUSTRIAL, INC.

#JM10158 PRINTED IN CHINA