



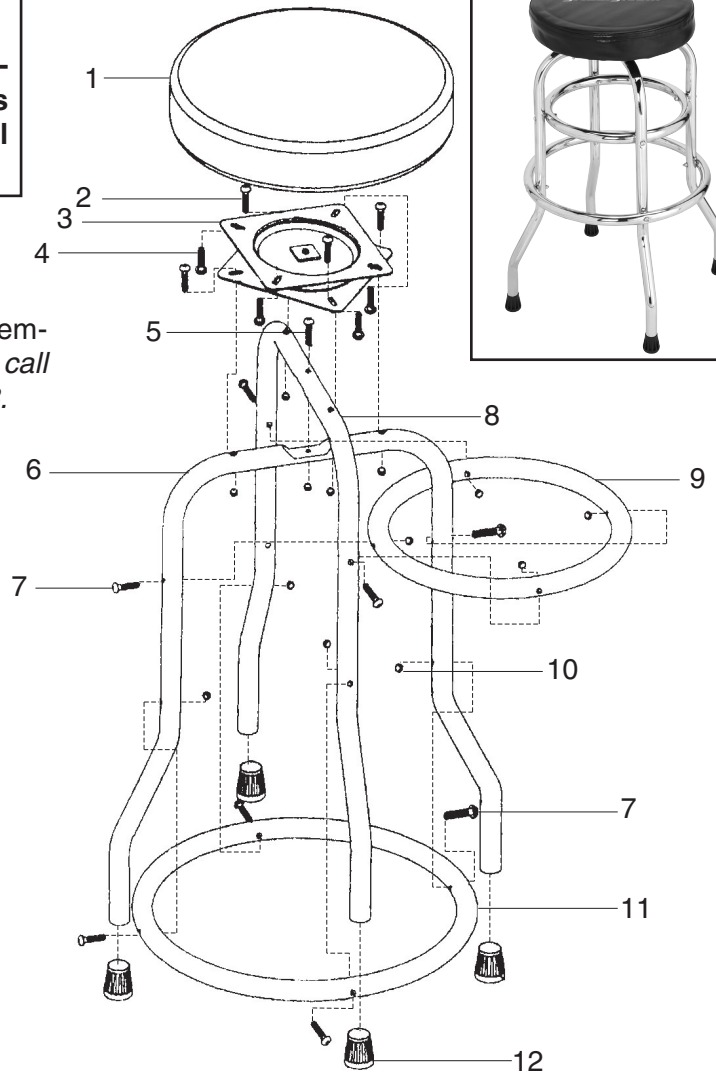
# MODEL T10033 SWIVELING COUNTER STOOL INSTRUCTION SHEET

## ⚠️ WARNING

This stool is for sitting only. Due to the swiveling seat, standing on or using this stool as a step stool can result in serious personal injury from accidental falling.

### Assembly

Refer to the breakdown drawing for stool assembly. If you need help with the Model T10033, call our Technical Support line at: (570) 546-9663.



REF	PART #	DESCRIPTION	QTY
1	PT10033001	CUSHION	1
2	PCB04M	CARRIAGE BOLT M6-1 X 35	4
3	PT10033003	SWIVEL PLATE	1
4	PT10033004	SPECIAL SCREW M6-1 X 16	4
5	PS62M	PHLP HD SCR M6-1 X 30	1
6	PT10033006	LOWER LEG	1

REF	PART #	DESCRIPTION	QTY
7	PS112M	PHLP HD SCR M6-1 X 50	8
8	PT10033008	UPPER LEG	1
9	PT10033009	UPPER FOOT REST	1
10	PLN03M	LOCK NUT M6-1	13
11	PT10033011	LOWER FOOT REST	1
12	PT10033012	RUBBER FOOT	4

COPYRIGHT © NOVEMBER, 2007 BY GRIZZLY INDUSTRIAL, INC.  
**WARNING: NO PORTION OF THIS MANUAL MAY BE REPRODUCED IN ANY SHAPE OR FORM WITHOUT THE WRITTEN APPROVAL OF GRIZZLY INDUSTRIAL, INC.**  
 #JM10092 PRINTED IN CHINA