



MODEL T23126 FIREWOOD RACK INSTRUCTIONS



Figure 1. Model T23126.

Specifications

Width	13"
Height	44"
Size of Rail Required....	1½"x 3½" (Standard 2x4)
Finish.....	Baked-On Enamel

Items Required for Assembly

Rails 2x4 x (Desired Length)	2
Lag Screws ¼" x 1½"	4
Flat Washers ¼"	4
Impact Driver or Ratchet	1

Note: For outdoor use, we recommend using pressure-treated or synthetic lumber.

When Storing Wood

- Store away from structures to avoid possible insect infestation.
- When using multiple racks, leave an air gap of at least 6" between racks.
- Store wood away from any source of sparks or possible exposure to burning embers.

Assembly

To assemble the rack:

1. Put on safety glasses.
2. Slide the racks over the ends of the 2x4 rails, making sure the rails are oriented so that the screw holes are closer to the center, as shown in **Figure 2**.

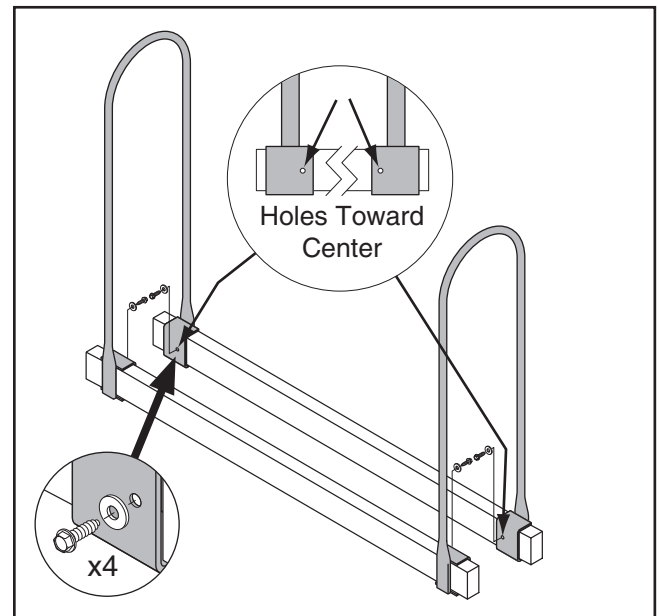


Figure 2. Rack assembly.

3. Secure the racks to the rails with the lag screws and washers. To avoid splitting the wood, we recommend pre-drilling the lag screw holes in the wood with a ⅝" drill bit.

If you need help with your new item, call our Tech Support at: (570) 546-9663.