

Model D3757 UNIVERSAL MOBILE BASE KIT Instruction Sheet



Phone #: (360) 734-3482 • Online Tech Support: tech-support@shopfox.biz • Web: www.shopfox.biz

Introduction

The Model D3757 Universal Mobile Base Kit (shown in Figure 1) allows you to build a custom mobile base to fit nearly any machine.

Inventory (Figure 2)

	Qty
A. Corner Brackets with Wheel	2
B. Top Plates.....	4
C. Corner Brackets with Pedal & Caster	2
D. Fasteners (Not Shown)	
–Flat Head Screws M8-1.25 x 30.....	12
–Flat Washers 8mm.....	12
–Lock Washers 8mm	12
–Hex Nuts M8-1.25.....	12

Specifications

- Minimum Base Plate Size..... 12" x 12"
- Maximum Base Plate Size (with 3/4" Base)... 36" x 36"
- Minimum Base Plate Thickness
- Maximum Base Plate Thickness
- Maximum Weight Capacity..... 600 lbs

Items Needed for Assembly

- Plywood 3/4" Thick (see note below) ...Size as Needed
- Drill Press or Handheld Drill
- Drill Bit 3/8".....
- Phillips Screwdriver #2
- Wrench or Socket 12mm
- Measuring Tape.....
- Table Saw or Circular Saw
- Pencil.....

Note: The fasteners included with this kit are sized for a 3/4" base plate. A different thickness of base plate can be used, but you will need to supply a different length of flat head screws.

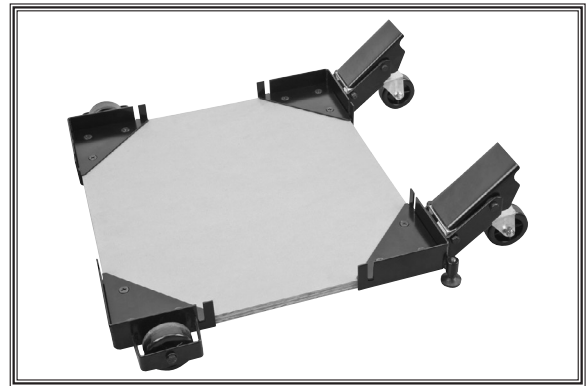


Figure 1. Model D3757.

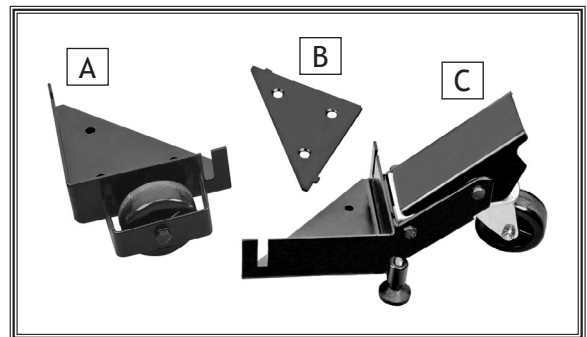


Figure 2. Inventory.

Base Plate Material

The best material for the base plate is a natural wood plywood (hardwood plywood is best). Avoid using OSB, MDF, or particle board, as these materials are generally not strong enough to hold heavy machinery for a long period of time.

⚠️ WARNING

Operating machinery on an unsecured mobile base may allow the machine to shift unexpectedly, which could result in accidental contact with the cutting device or other moving parts.

COPYRIGHT © MAY, 2010 BY WOODSTOCK INTERNATIONAL, INC.

WARNING: NO PORTION OF THIS MANUAL MAY BE REPRODUCED IN ANY SHAPE OR FORM WITHOUT

THE WRITTEN APPROVAL OF WOODSTOCK INTERNATIONAL, INC.

#12902TR

Printed in China

Assembly

Before beginning the assembly process, there are a few things to consider.

First, assess the stability of the machine you will mount. If it is top-heavy or has a narrow base, we strongly recommend that make your base plate wider than the machine base (see **Figure 3**). Also, secure the machine to the base plate after mounting it for added stability—this will reduce the risk of tipping the machine over when moving it around the shop. (Instructions for securing the machine to the mobile base follow this section.)

Second, think about appearances. If you are concerned about how the exposed portions of the base plate will look in your shop, you may wish to paint or finish the base plate before beginning the assembly process.

To assemble the mobile base, do these steps:

1. Measure the width and depth ("footprint") of the machine base at the floor.
 - If you plan on making the base plate the same dimensions as the machine base, add at least 1" to both your width and depth measurements. This extra space will make mounting easier and will hardly be noticeable once the machine is mounted.
 - If you plan on making the base plate larger than the machine base to increase the stability, make sure that you don't make the base plate so large that it will be a tripping hazard.
2. Cut the base plate to your measurements.
3. Use the corner brackets as templates to transfer the mounting hole patterns on the base plate. Mark the corners of the base plate, so you remember which bracket goes with which corner.
4. Drill the mounting holes.
5. Attach the corner brackets to the base plate (see **Figures 4-6**), using the included fasteners and making sure the top plate tabs slide into corner bracket slots when fitting the pieces together.

Congratulations! The mobile base is now fully assembled and ready for your machine.

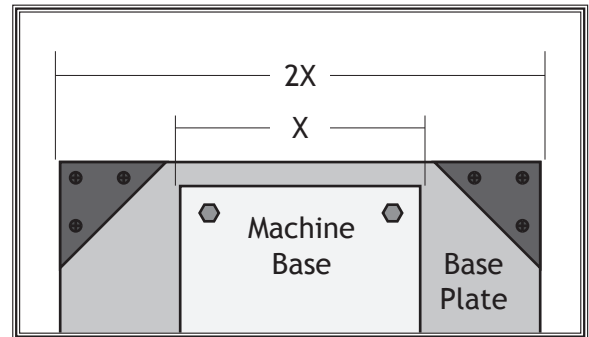


Figure 3. Mobile base constructed wider than machine base to improve stability and reduce risk of tipping when moving.

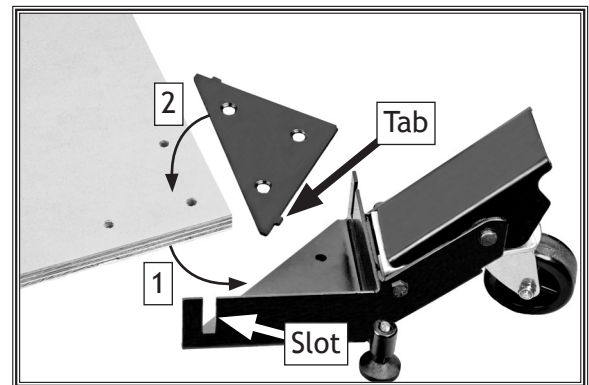


Figure 4. Fitting corner bracket and top plate on base plate.

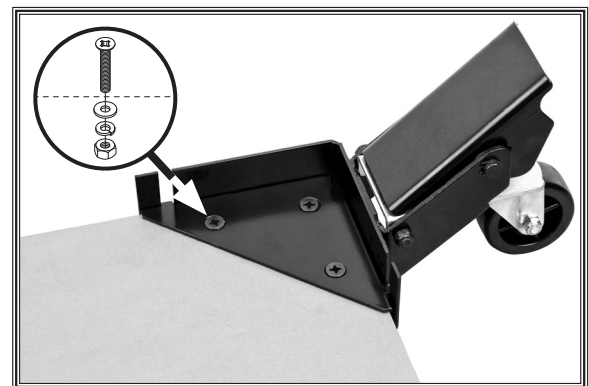


Figure 5. Corner bracket secured.

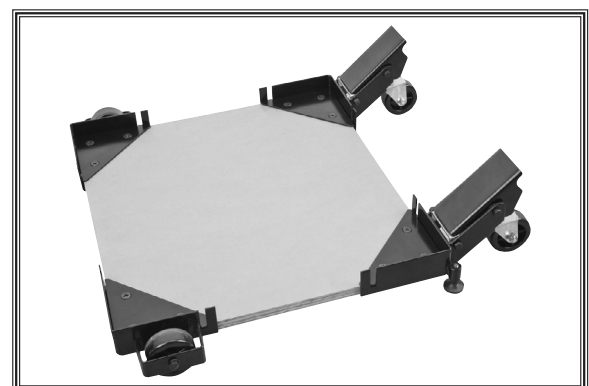


Figure 6. Mobile base fully assembled.

Securing Machine to Mobile Base

If you plan to secure the machine to the mobile base, use one of the two methods shown in **Figures 7-8**, and make sure the fasteners do not touch the floor when installed.

The through mount option (see **Figure 7**) is the strongest. However, it can be difficult to insert and tighten the fasteners due to the lack of working space. To make installation easier with this method, try inserting the bolt from the underside and fastening the washers/nuts from above.

The direct mount method (see **Figure 8**) is the easiest. Use lag screws and flat washers with the appropriate diameter for the mounting holes in your machine. Secure the lag screws through the machine base and into the base plate. When using this method, consider the weight and stability of the machine. If the machine is very top-heavy, forces applied when moving it may cause the lag screw threads to tear out of the base plate. If this seems probable with your setup, use a thicker base plate.

Foot Pedals

The foot pedals engage or disengage the casters (see **Figure 9**). When pressed down, the casters lift the base and allow the mobile base to roll. When the foot pedals are moved upward, the mobile base lowers onto the leveling feet and the casters lift off the floor, which prevents the mobile base from rolling.

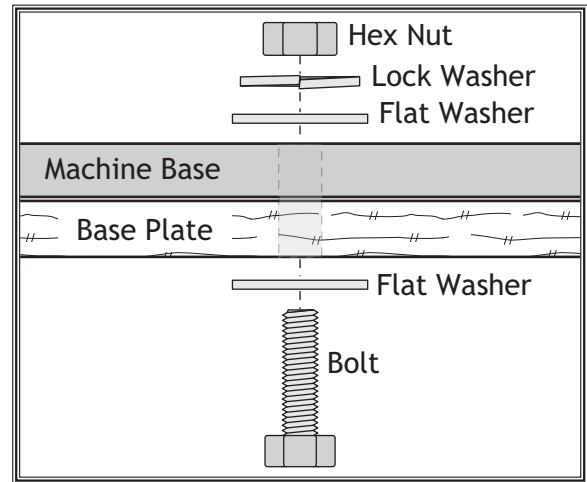


Figure 7. Through mount method.

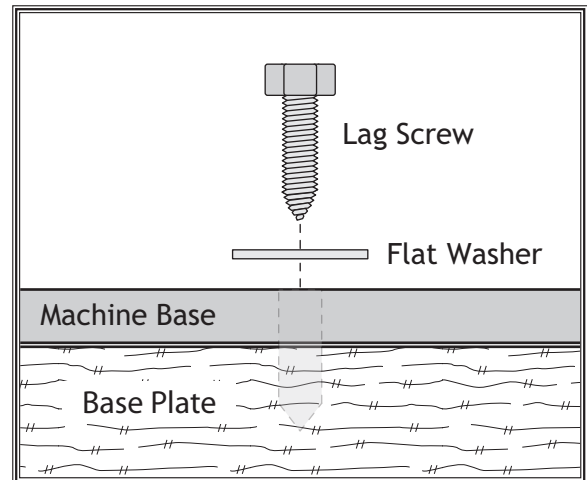


Figure 8. Direct mount method.

⚠ WARNING

Before operating machine, move foot pedal up and make sure mobile base will not roll during operation; otherwise, the machine could shift and lead to accidental operator injury.

Leveling Feet

The leveling feet are located on the brackets with the foot pedals (see **Figure 9**). The feet are constructed with a hex to adjust them up or down with a 12mm wrench. Leveling the machine is optional, but it is mandatory to make sure the leveling feet contact the floor when the pedal is in the up position; otherwise, the machine may roll unexpectedly during operation and result in an accidental injury.

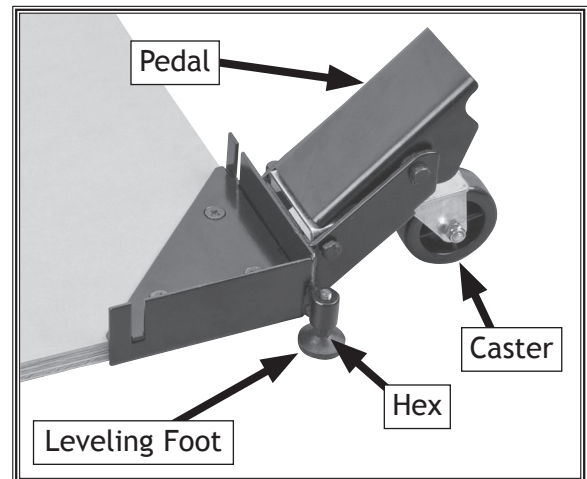


Figure 9. Mobile base controls.

Woodstock Technical Support

For service or product-related questions, contact Woodstock International Technical Support at (360) 734-3482 or send e-mail to: tech-support@shopfox.biz.



High Quality Machines and Tools

Woodstock International, Inc. carries thousands of products designed to meet the needs of today's woodworkers and metalworkers.

Ask your dealer about these fine products:

BROSM
PRECISION STOP BLOCK

JOINTER PAL[®]

Rotacator[®]

THE REBEL[®]

DURASTICK[®]

Gutmann[®]

BOARD BUDDIES[®]



Junglee[®]

PLANER PAL[®]

PARROT VISE[®]

SLICKPLANE[®]

PRO-STIK[®]
ABRASIVE BELT & DISC CLEANER

ACCU-SHARP[®]

Aluma-Classic[®]



STEELEX[®]
FINE TOOLS

STEELEX[®]
PLUS



WHOLESALE ONLY

WOODSTOCK INTERNATIONAL, INC.

Phone: (360) 734-3482 • Fax: (360) 671-3053 • Toll Free Fax: (800) 647-8801

P.O.Box 2309 • Bellingham, WA 98227

SHOPFOX.BIZ