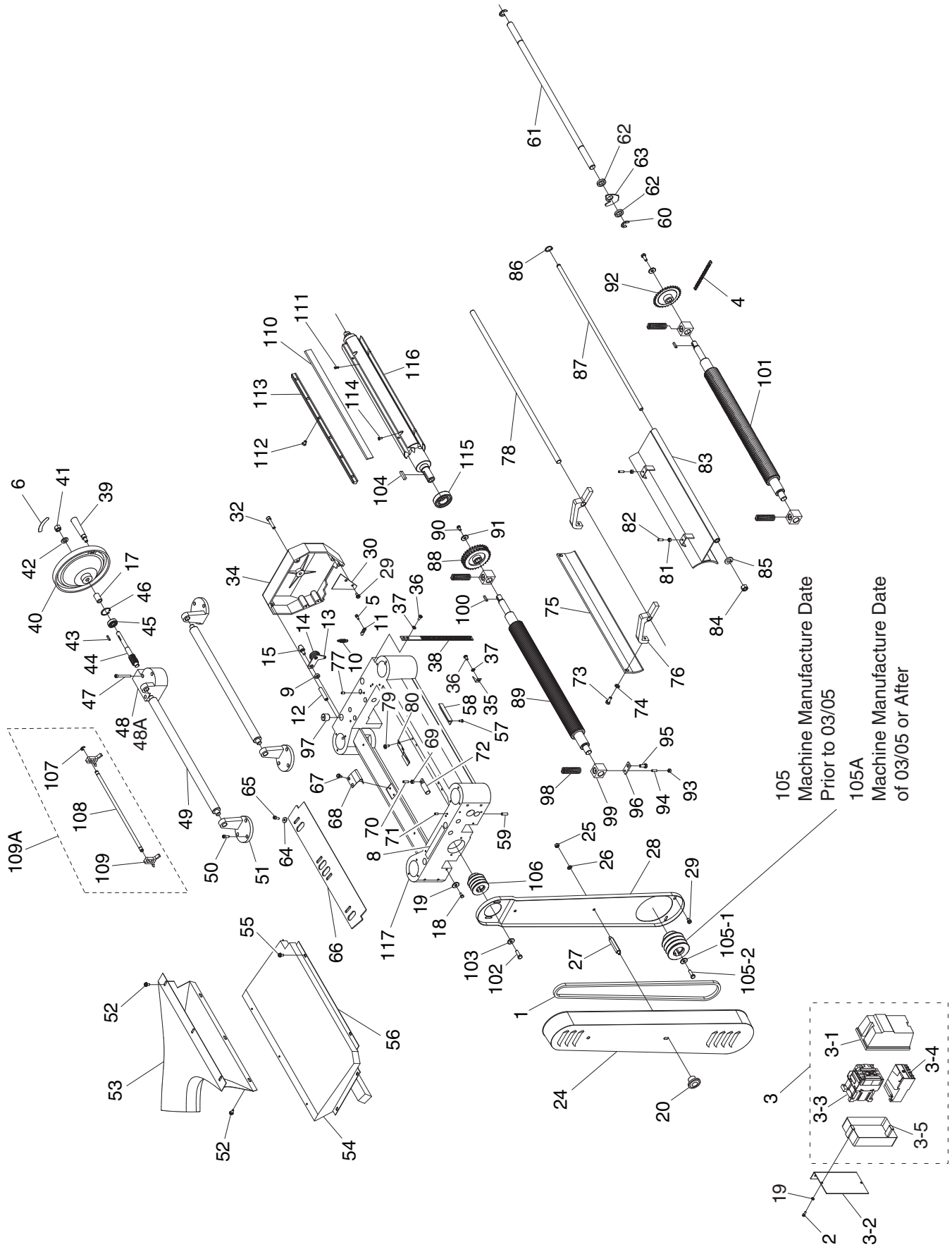


# G0454 Headstock Breakdown



# G0454 Headstock Parts List

REF	PART #	DESCRIPTION
1	PVMX60	COGGED V-BELT MX-60
2	PSB26M	CAP SCREW M6-1 X 12
3	P0454003	MAG SWITCH ASSEMBLY
3-1	P0454003-1	MAG SWITCH COVER
3-2	P0454003-2	SWITCH BRACKET
3-3	P0454003-3	CONTACTOR NHD 35D 220V
3-4	P0454003-4	OL RELAY NHD BTH-25 26-32A
3-5	P0454003-5	MAG SWITCH BACK
4	P0454004	CHAIN 06B-1 X 67
5	PSB04M	CAP SCREW M6-1 X 10
6	P0453009	HANDWHEEL LABEL
8	P0454008	OIL LEVEL LABEL
9	P0453011	COLLAR
10	P0453012	EXTENSION SPRING
11	P0453014	HANGER
12	P0453015	SHAFT
13	P0453016	BRACKET
14	P0453017	IDLER PULLEY
15	P0453018	IDLER SHAFT
17	P0453020	COLLAR
18	PB02M	HEX BOLT M6-1 X 12
19	PW03M	FLAT WASHER 6MM
20	P0453021	STAR KNOB M8-1.25
24	P0453025	BELT COVER
25	PN03M	HEX NUT M8-1.25
26	PW01M	FLAT WASHER 8MM
27	P0453027	SPECIAL BOLT
28	P0453028	BELT GUARD
29	PFB09M	FLANGE BOLT M6-1 X 10
30	P0454030	SAFETY HATCH
32	PSB12M	CAP SCREW M8-1.25 X 40
34	P0454034	CHAIN DRIVE COVER
35	P0453034	POINTER
36	PS14M	PHLP HD SCR M6-1 X 12
37	PW03M	FLAT WASHER 6MM
38	P0453038	SCALE
39	P0453039	HANDLE
40	P0453040	HANDWHEEL
41	PN09M	HEX NUT M12-1.75
42	PW06M	FLAT WASHER 12MM
43	PK48M	KEY 4 X 4 X 20
44	P0453044	WORM GEAR
45	P6201	BALL BEARING 6201ZZ
46	PR29M	INT RETAINING RING 32MM
47	PSB83M	CAP SCREW M6-1 X 55

REF	PART #	DESCRIPTION
48	P0454048	WORM HOUSING
48A	P0454048A	WORM HOUSING ASSEMBLY
49	P0454049	RETURN ROLLER
50	PSB01M	CAP SCREW M6-1 X 16
51	P0454051	ROLLER STAND
52	PFB01M	FLANGE BOLT M6-1 X 12
53	P0454053	DUST HOOD
54	P0454054	SPONGE GASKET
55	PFB01M	FLANGE BOLT M6-1 X 12
56	P0454056	TOP COVER
57	PB107M	HEX BOLT M5-.8 X 12
58	P0453061	CUT LIMIT PLATE
59	PSS14M	SET SCREW M8-1.25 X 12
60	PEC05M	E-CLIP 15MM
61	P0454061	SHAFT
62	P0453065	COLLAR
63	P0453066	ANTI-KICKBACK FINGER
64	PW03M	FLAT WASHER 6MM
65	PB02M	HEX BOLT M6-1 X 12
66	P0454066	CHIP DEFLECTOR PLATE
67	PFB01M	FLANGE BOLT M6-1 X 12
68	P0454068	HOLDDOWN PLATE
69	PN01M	HEX NUT M6-1
70	PSS25M	SET SCREW M6-1 X 20
71	PSS04M	SET SCREW M6-1 X 12
72	P0454072	ADJUSTING SHAFT
73	PB09M	HEX BOLT M8-1.25 X 20
74	PLW04M	LOCK WASHER 8MM
75	P0454075	PRESSURE BAR
76	P0454076	BRACKET
77	PSS11M	SET SCREW M6-1 X 16
78	P0454078	SHAFT
79	PFB01M	FLANGE BOLT M6-1 X 12
80	P0454080	PLATE SPRING
81	PN01M	HEX NUT M6-1
82	PSS25M	SET SCREW M6-1 X 20
83	P0454083	CHIP BREAKER
84	PN09M	HEX NUT M12-1.75
85	PLW05M	LOCK WASHER 12MM
86	PR03M	EXT RETAINING RING 12MM
87	P0454087	LOCKING ROD
88	P0454088	SPROCKET
89	P0454089	OUTFEED ROLLER
90	PB83M	HEX BOLT M6-1 X 16
91	PW03M	FLAT WASHER 6MM



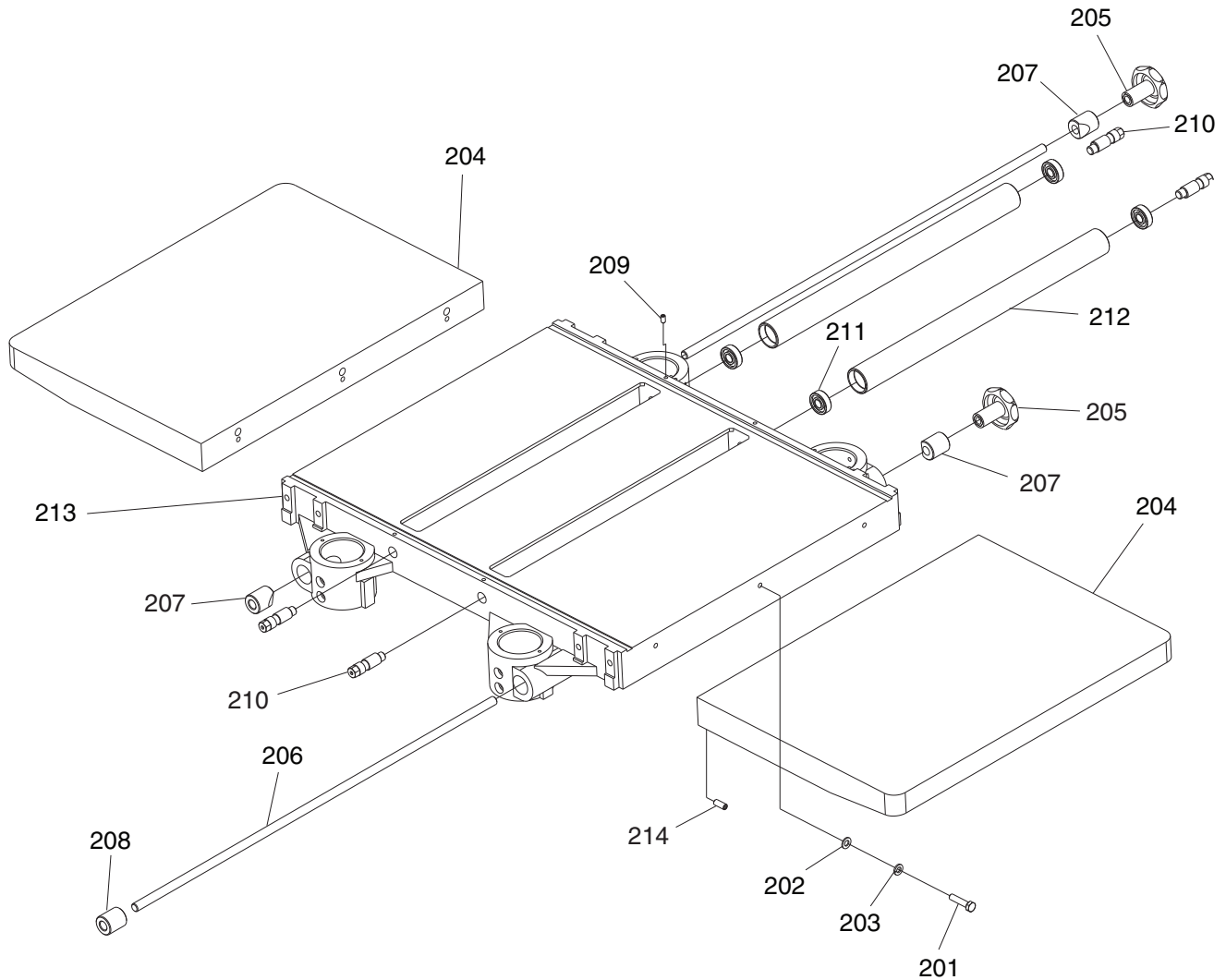
# G0454 Headstock Parts List

REF	PART #	DESCRIPTION
92	P0454092	SPROCKET
93	PN01M	HEX NUT M6-1
94	PSS25M	SET SCREW M6-1 X 20
95	PB09M	HEX BOLT M8-1.25 X 20
96	P0454096	PLATE
97	P0453091	SPECIAL OILER SET SCREW
98	P0453092	COMPRESSION SPRING
99	P0454099	BUSHING BLOCK
100	PK01M	KEY 5 X 5 X 22
101	P0454101	INFEED ROLLER
102	PB07M	HEX BOLT M8-1.25 X 25
103	PW01M	FLAT WASHER 8MM
104	PK09M	KEY 8 X 8 X 35
105	P0454105	MOTOR PULLEY V1.03.05
105-1	P0454105-1	SPECIAL WASHER

REF	PART #	DESCRIPTION
105-2	P0454105-2	TAPERED HEAD SCREW
105A	P0454105A	MOTOR PULLEY V2.09.07
106	P0453100	CUTTERHEAD PULLEY 60HZ
107	PEC015M	E-CLIP 8MM
108	P0454108	KNIFE GAUGE SHAFT
109	P0454109	KNIFE GAUGE FOOT
109A	P0454109A	KNIFE GAUGE ASSEMBLY
110	P0454110	KNIFE (SET OF 4)
111	P0454111	COMPRESSION SPRING
112	P0454112	GIB SCREW
113	P0454113	GIB
114	P0454114	JACK SCREW M5-.8 X 12
115	P6206	BALL BEARING 6206ZZ
116	P0454116	CUTTERHEAD
117	P0454117	HEAD CASTING



# G0454 Table Breakdown

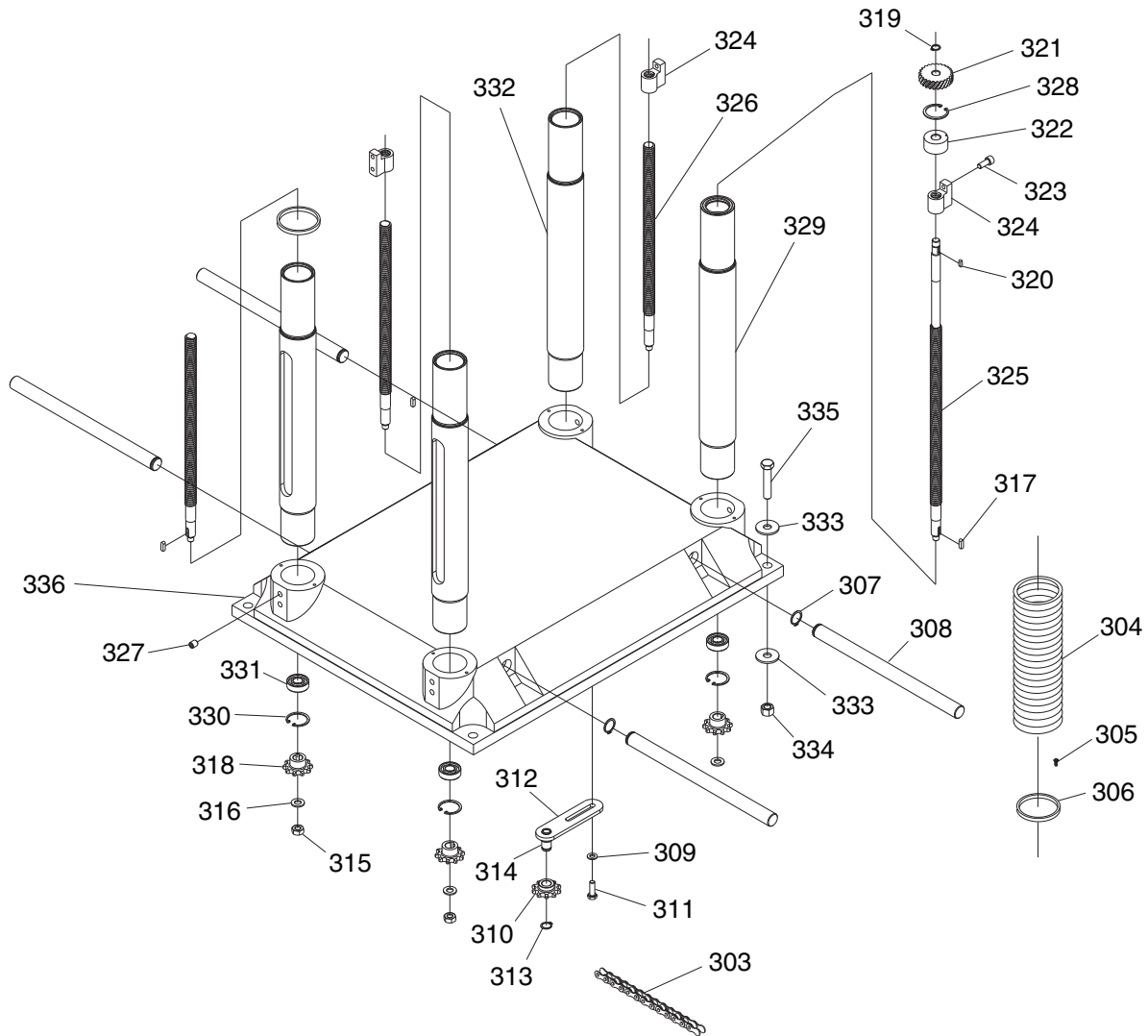


REF	PART #	DESCRIPTION
201	PB20M	HEX BOLT M8-1.25 X 35
202	PW01M	FLAT WASHER 8MM
203	PLW04M	LOCK WASHER 8MM
204	P0454204	EXTENSION WING
205	P0453208	STAR KNOB M12-1.75
206	P0454206	LOCKING ROD
207	P0454207	GIB

REF	PART #	DESCRIPTION
208	P0454208	WEDGE DOG
209	PSS04M	SET SCREW M6-1 X 12
210	P0454210	ECCENTRIC SHAFT
211	P6201	BALL BEARING 6201ZZ
212	P0454212	BED ROLLER
213	P0454213	MAIN TABLE
214	PSS09M	SET SCREW M8-1.25 X 20



# G0454 Columns Breakdown

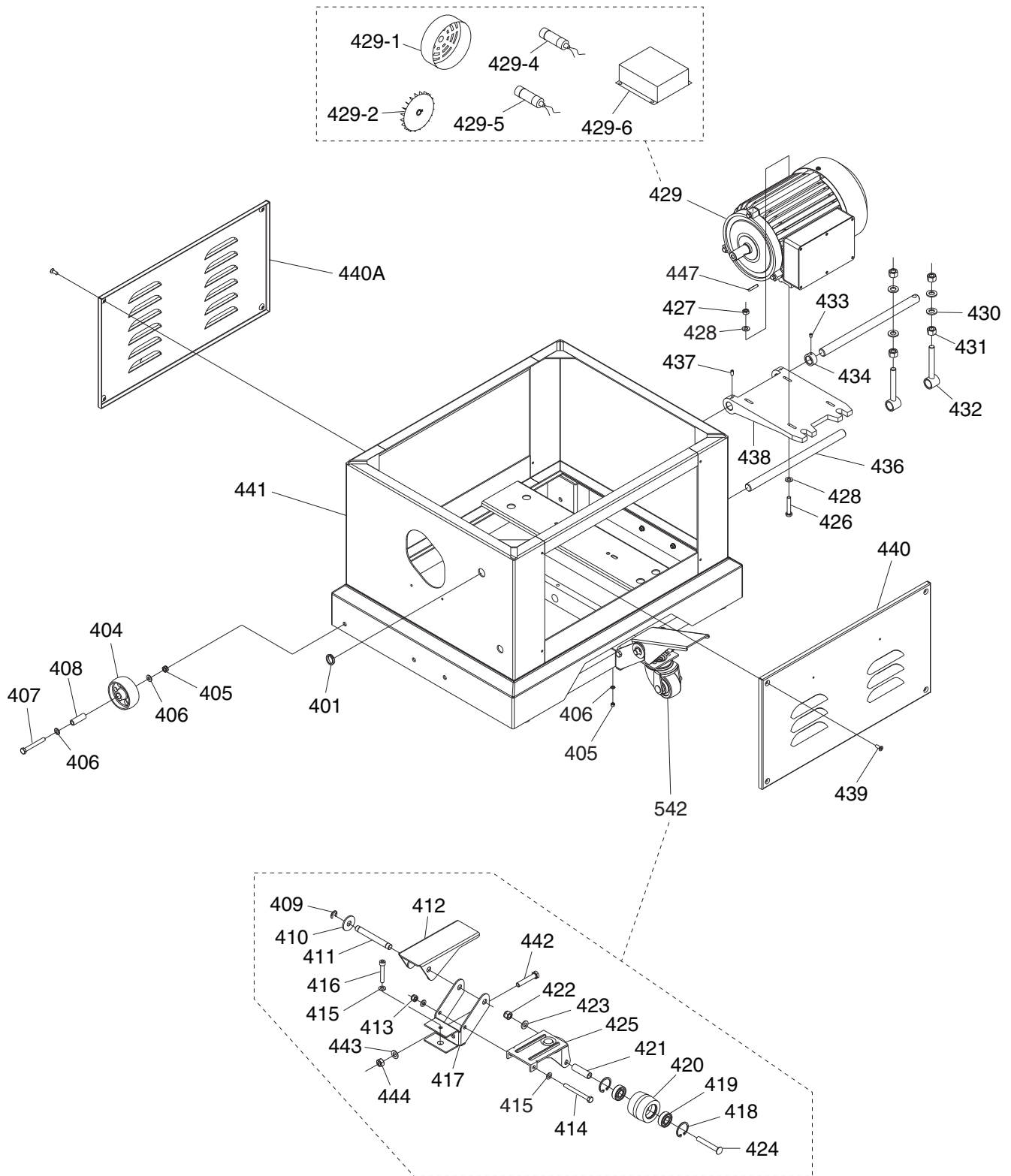


REF	PART #	DESCRIPTION
303	P0454303	CHAIN 08A-1 X 66
304	P0454304	DUST BOOT
305	PS09M	PHLP HD SCR M5-.8 X 10
306	P0454306	DUST BOOT RETAINER
307	PR73M	EXT RETAINING RING 5MM
308	P0454308	LIFTING BAR
309	PW01M	FLAT WASHER 8MM
310	P0454310	SPROCKET
311	PB07M	HEX BOLT M8-1.25 X 25
312	P0454312	BRACKET
313	PR05M	EXT RETAINING RING 15MM
314	P0454314	SHAFT
315	PN02M	HEX NUT M10-1.5
316	PW04M	FLAT WASHER 10MM
317	PK08M	KEY 5 X 5 X 16
318	P0454318	SPROCKET
319	PR03M	EXT RETAINING RING 12MM

REF	PART #	DESCRIPTION
320	PK69M	KEY 4 X 4 X 12
321	P0453318	GEAR
322	P0454322	BUSHING
323	PSB14M	CAP SCREW M8-1.25 X 20
324	P0454324	LEADSCREW NUT
325	P0454325	PRIMARY LEADSCREW
326	P0454326	SECONDARY LEADSCREW
327	PSS13M	SET SCREW M10-1.5 X 12
328	PR22M	INT RETAINING RING 38MM
329	P0454329	PRIMARY COLUMN
330	PR21M	INT RETAINING RING 35MM
331	P6202	BALL BEARING 6202ZZ
332	P0454332	SECONDARY COLUMN
333	PW06M	FLAT WASHER 12MM
334	PN09M	HEX NUT M12-1.75
335	PB38M	HEX BOLT M12-1.75 X 60
336	P0454336	BASE



# G0454 Cabinet Stand Breakdown



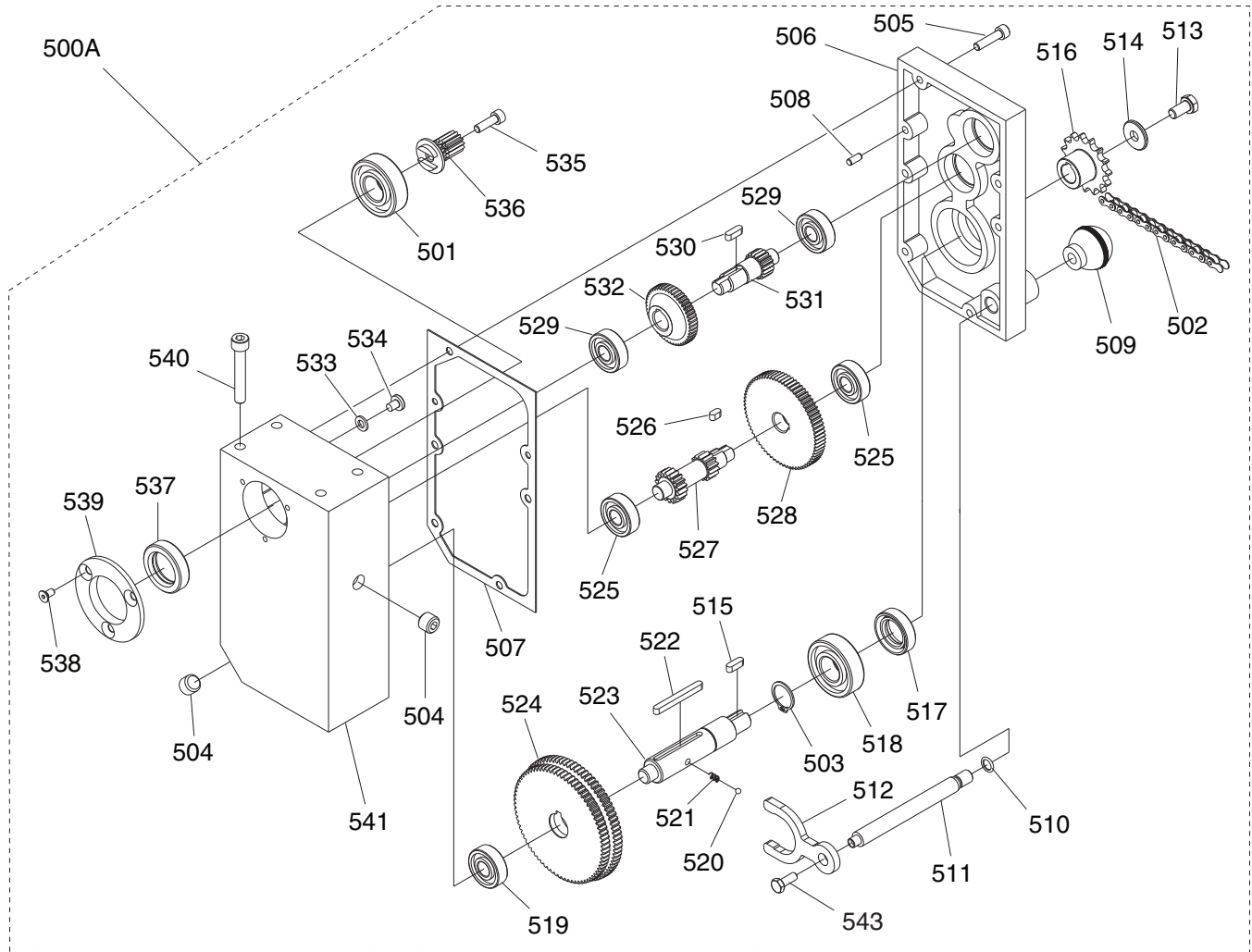
# G0454 Cabinet Stand Parts List

REF	PART #	DESCRIPTION
401	P0453402	RELIEF BUSHING
404	P0453405	UNIVERSAL WHEEL
405	PN03M	HEX NUT M8-1.25
406	PW01M	FLAT WASHER 8MM
407	PB86M	HEX BOLT M8-1.25 X 65
408	P0453409	BUSHING
409	PR16M	EXT RETAINING RING 9MM
410	PW06M	FLAT WASHER 12MM
411	P0453412	SHAFT 12MM
412	P0453413	PEDAL
413	PN03M	HEX NUT M8-1.25
414	PB45M	HEX BOLT M8-1.25 X 100
415	PW01M	FLAT WASHER 8MM
416	PB166M	HEX BOLT M8-1.25 X 50
417	P0453418	BRACKET
418	PR21M	INT RETAINING RING 35MM
419	P6202-2RS	BALL BEARING 6202 2RS
420	P0453421	TROLLEY WHEEL
421	P0453422	SLEEVE
422	PLN09M	LOCK NUT M12-1.75
423	PW06M	FLAT WASHER 12MM
424	P0453425	SPECIAL BOLT
425	P0453426	TROLLEY UNIVERSAL KIT
426	PB118M	HEX BOLT M8-1.25 X 45
427	PN03M	HEX NUT M8-1.25

REF	PART #	DESCRIPTION
428	PW01M	FLAT WASHER 8MM
429	P0454429	MOTOR 5HP 220V 1PH
429-1	P0454429-1	MOTOR FAN COVER
429-2	P0454429-2	MOTOR FAN
429-4	P0454429-4	S CAPACITOR 300M 250V
429-5	P0454429-5	R CAPACITOR 60M 400V
429-6	P0454429-6	MOTOR WIRING JUNCTION BOX
430	PW06M	FLAT WASHER 12MM
431	PN09M	HEX NUT M12-1.75
432	P0453433	ADJUST BOLT
433	PSS03M	SET SCREW M6-1 X 8
434	P0453435	COLLAR
436	P0454436	PLATE CONNECTING ROD
437	PSS04M	SET SCREW M6-1 X 12
438	P0454438	MOTOR PLATE
439	PFH06M	FLAT HD SCR M6-1 X 20
440	P0454440	FRONT COVER
440A	P0454440A	REAR COVER
441	P0454441	CABINET STAND
442	PB143M	HEX BOLT M12-1.75 X 120
443	PW04M	FLAT WASHER 10MM
444	PN02M	HEX NUT M10-1.5
447	PK12M	KEY 5 X 5 X 30
542	P0454542	FOOT PEDAL ASSEMBLY



# G0454 Gearbox Breakdown

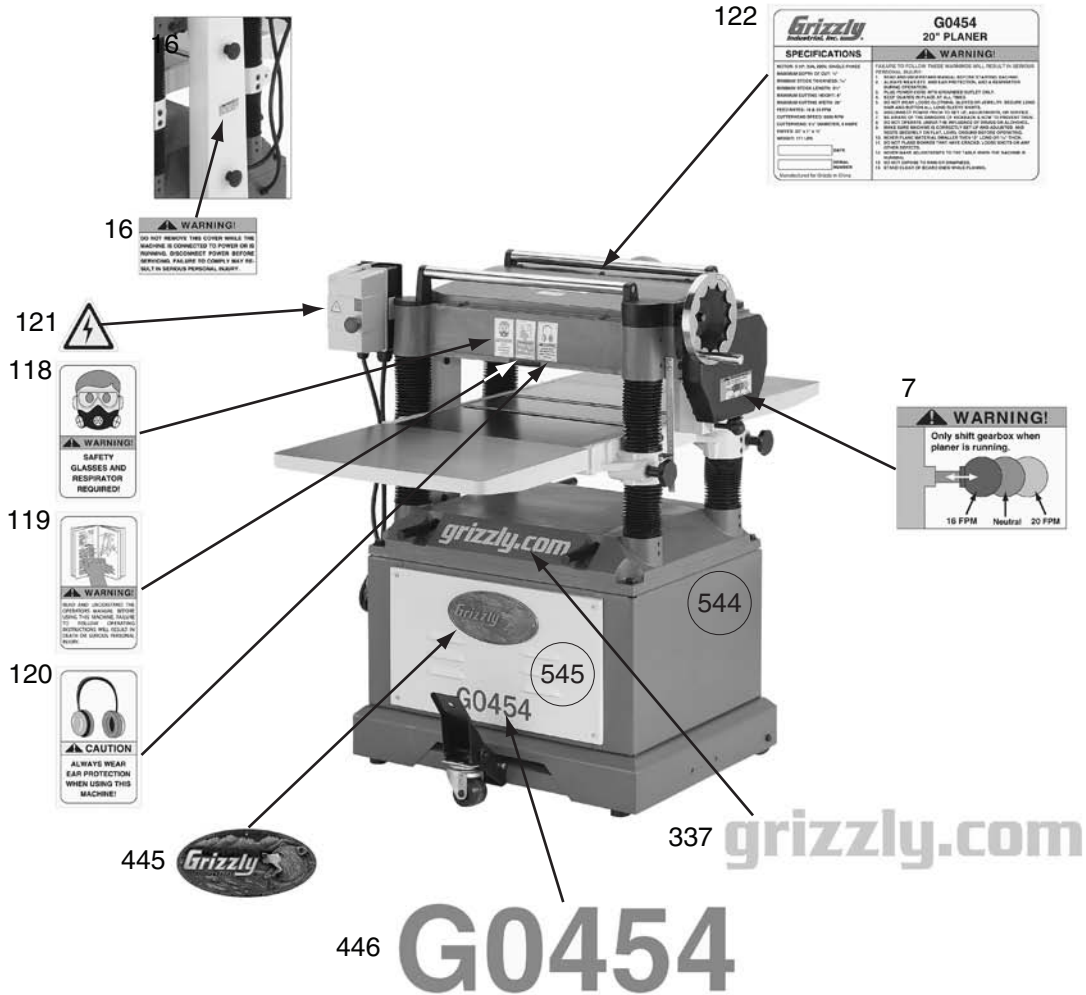


REF	PART #	DESCRIPTION
500A	P0454500A	GEARBOX ASSEMBLY
501	P6204	BALL BEARING 6204ZZ
502	P0454502	CHAIN 06B-1 X 51
503	PR09M	EXT RETAINING RING 20MM
504	P0453503	OIL PLUG
505	PSB06M	CAP SCREW M6-1 X 25
506	P0453505	GEARBOX BASE
507	P0453506	GASKET
508	P0453507	PIN 5 X 10
509	P0453508	BALL KNOB M10-1.5
510	PORP016	O-RING 15.8 X 2.4 P16
511	P0453510	HANDLE SHAFT
512	P0453511	SHIFTING FORK
513	PB03M	HEX BOLT M8-1.25 X 16
514	PW01M	FLAT WASHER 8MM
515	PK08M	KEY 5 X 5 X 16
516	P0454516	SPROCKET
517	P0453516	OIL SEAL 20 X 35 X 7
518	P6204	BALL BEARING 6204ZZ
519	P6201	BALL BEARING 6201ZZ
520	P0453519	STEEL BALL 4MM
521	P0453520	COMPRESSION SPRING

REF	PART #	DESCRIPTION
522	PK36M	KEY 5 X 5 X 50
523	P0453522	SHAFT
524	P0454524	GEAR
525	P6201	BALL BEARING 6201ZZ
526	PK06M	KEY 5 X 5 X 10
527	P0454527	GEAR SHAFT
528	P0453527	GEAR
529	P6201	BALL BEARING 6201ZZ
530	PK19M	KEY 5 X 5 X 14
531	P0453530	GEAR SHAFT
532	P0453531	GEAR
533	PW03M	FLAT WASHER 6MM
534	PS03M	PHLP HD SCR M6-1 X 8
535	PSS25M	SET SCREW M6-1 X 20
536	P0453535	GEAR 14T
537	P0453536	OIL SEAL 25 X 40 X 10
538	PSB33M	CAP SCREW M5-.8 X 12
539	P0454539	FLANGE COVER
540	PSB05M	CAP SCREW M8-1.25 X 50
541	P0454541	GEARBOX COVER
543	PFB01M	FLANGE BOLT M6-1 X 12



# G0454 Label Placement



REF	PART #	DESCRIPTION
7	P0454007	SPEED CHANGE LABEL
16	P0453019	BELT COVER LABEL
118	PLABEL-37	RESPIRATOR/GLASSES LABEL VL
119	PLABEL-12	READ MANUAL LABEL VL
120	PLABEL-36	EAR PROTECTION LABEL VL
121	PLABEL-14	ELECTRICITY LABEL

REF	PART #	DESCRIPTION
122	P0454122	MACHINE ID LABEL
337	P0454337	GRIZZLY.COM LABEL
445	G8588	GRIZZLY NAMEPLATE
446	P0454446	MODEL NUMBER LABEL
544	PPAINT-1	GRIZZLY GREEN TOUCH UP PAINT
545	PPAINT-11	GRIZZLY PUTTY TOUCH UP PAINT

## **!WARNING**

Safety labels warn about machine hazards and ways to prevent injury. The owner of this machine **MUST** maintain the original location and readability of the labels on the machine. If any label is removed or becomes unreadable, **REPLACE** that label before using the machine again. Contact Grizzly at (800) 523-4777 or [www.grizzly.com](http://www.grizzly.com) to order new labels.

