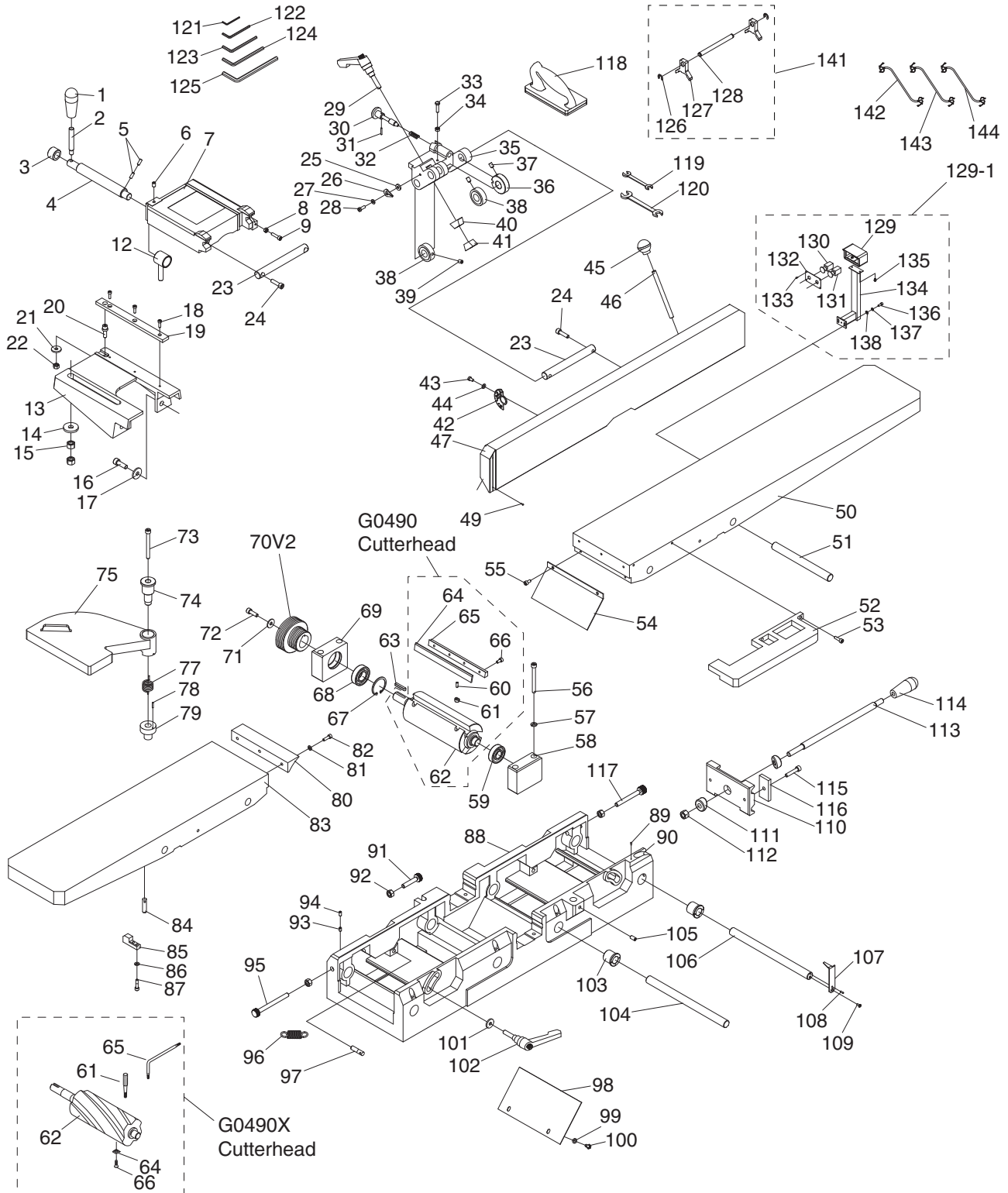


SECTION 9: PARTS

Jointer Breakdown



Jointer Parts List

REF	PART #	DESCRIPTION
1	P0490001	HANDLE
2	P0490002	STUD
3	P0490003	BUSHING
4	P0490004	ECCENTRIC SHAFT
5	PSS11M	SET SCREW M6-1 X 16
6	PSS14M	SET SCREW M8-1.25 X 12
7	P0490007	FENCE CARRIAGE
8	PN01M	HEX NUT M6-1
9	PB10M	HEX BOLT M6-1 X 25
12	P0490012	COLLAR
13	P0490013	SUPPORT
14	PW06M	FLAT WASHER 12MM
15	PN09M	HEX NUT M12-1.75
16	PCAP72M	CAP SCREW M10-1.5 X 30
17	PW04M	FLAT WASHER 10MM
18	PCAP24M	CAP SCREW M5-.8 X 16
19	P0490019	GIB
20	P0490020	ECCENTRIC STUD
21	PW01M	FLAT WASHER 8MM
22	PN03M	HEX NUT M8-1.25
23	P0490023	SHAFT
24	PCAP13M	CAP SCREW M8-1.25 X 30
25	PW03M	FLAT WASHER 6MM
26	P0490026	POINTER
27	PW03M	FLAT WASHER 6MM
28	PS11M	PHLP HD SCR M6-1 X 16
29	P0490029	LOCK LEVER
30	P0490030	INDEX PIN ASSEMBLY
31	PRP42M	ROLL PIN 3 X 20
32	P0490032	COMPRESSION SPRING
33	PB10M	HEX BOLT M6-1 X 25
34	PN01M	HEX NUT M6-1
35	P0490035	SWIVEL
36	P0490036	LOCK COLLAR
37	PB06M	SET SCREW M8-1.25 X 12
38	P0490038	LOCK COLLAR
39	PB06M	SET SCREW M8-1.25 X 12
40	P0490040	CLAMP
41	P0490041	THREADED CLAMP
42	P0490042	TILT SCALE
43	PS68M	PHLP HD SCR M6-1 X 10
44	PW03M	FLAT WASHER 6MM
45	P0490045	BALL HANDLE
46	P0490046	STUD
47	P0490047	FENCE

REF	PART #	DESCRIPTION
48	P0490048	SCALE
49	P0490049	RIVET
50	P0490050	INFEED TABLE
51	P0490051	TABLE SHAFT
52	P0490052	EXTENSION TABLE
53	PCAP02M	CAP SCREW M6-1 X 20
54	P0490054	CHIP DEFLECTOR
55	PCAP26M	CAP SCREW M6-1 X 12
56	PCAP148M	CAP SCREW M8-1.25 X 80
57	PLW04M	LOCK WASHER 8MM
58	P0490058	FRONT BEARING PILLOW BLOCK
59	P60042RS	BALL BEARING 6004-2RS
63	PK74M	KEY 6 X 6 X 35
67	PR25M	INT RETAINING RING 47MM
68	P60052RS	BALL BEARING 6005-2RS
69	P0490069	REAR BEARING PILLOW BLOCK
70V2	P0490070V2	CTRHD PULLEY ALUM V2.03.09
71	P0490071	SPECIAL FLAT WASHER
72	PCAP31M	CAP SCREW M8-1.25 X 25
73	PCAP148M	CAP SCREW M8-1.25 X 80
74	P0490074	GUARD CLAMP
75	P0490075	CUTTERHEAD GUARD
77	P0490077	TORSION SPRING
78	PRP02M	ROLL PIN 3 X 16
79	P0490079	SUPPORT
80	P0490080	OUTFEED TABLE LIP
81	PW03M	FLAT WASHER 6MM
82	PCAP02M	CAP SCREW M6-1 X 20
83	P0490083	OUTFEED TABLE
84	P0490084	SPECIAL ROLL PIN
85	P0490085	BUMPER
86	PLW03M	LOCK WASHER 6MM
87	PCAP06M	CAP SCREW M6-1 X 25
88	P0490088	TABLE BASE
89	P0490089	RIVET
90	P0490090	SCALE
91	P0490091	SHORT ADJUSTING SCREW
92	PN02M	HEX NUT M10-1.5
93	PSS01M	SET SCREW M6-1 X 10
94	PSS01M	SET SCREW M6-1 X 10
95	P0490095	LONG ADJUSTING SCREW
96	P0490096	EXTENSION SPRING
97	P0490097	SPECIAL ROLL PIN
98	P0490098	CHIP BREAKER



Jointer Parts List

REF	PART #	DESCRIPTION
99	PW03M	FLAT WASHER 6MM
100	PB02M	HEX BOLT M6-1 X 12
101	PW01M	FLAT WASHER 8MM
102	P0490102	TABLE LOCK LEVER
103	P0490103	ECCENTRIC BUSHING
104	P0490104	TABLE SHAFT
105	PSS06M	SET SCREW M8-1.25 X 16
106	P0490106	TABLE SHAFT
107	P0490107	POINTER
108	PRP44M	ROLL PIN 3 X 10
109	PFH19M	FLAT HD SCR M4-.7 X 10
110	P0490110	PIVOT BRACKET
111	P0490111	ADJUSTING BLOCK
112	PN09M	HEX NUT M12-1.75
113	P0490113	LEVER
114	P0490114	HANDLE
115	PCAP12M	CAP SCREW M8-1.25 X 40
116	P0490116	CLAMP PLATE
117	P0490117	MEDIUM ADJUSTING SCREW
118	P0490118	PUSH BLOCK
119	PWR810	COMBO WRENCH 8/10MM
120	PWR1214	COMBO WRENCH 12/14MM
121	PAW02.5M	HEX WRENCH 2.5MM

REF	PART #	DESCRIPTION
122	PAW04M	HEX WRENCH 4MM
123	PAW05M	HEX WRENCH 5MM
124	PAW06M	HEX WRENCH 6MM
125	PAW08M	HEX WRENCH 8MM
126	PR39M	EXT RETAINING RING 8MM
127	P0490127	KNIFE GAUGE BLOCKS (1 OF 2)
128	P0490128	KNIFE GAUGE ROD
129	P0490129	SWITCH BOX
129-1	P0490129-1	COMPLETE SWITCH ASSEMBLY
130	P0490130	STOP BUTTON
131	P0490131	START BUTTON
132	P0490132	BUTTON PLATE
133	PHTEK4M	TAP SCREW M4 X 8
134	P0490134	SWITCH BRACKET
135	PFS02M	FLANGE SCREW M6-1 X 12
136	PCAP64M	CAP SCREW M10-1.5 X 25
137	PLW06M	LOCK WASHER 10MM
138	PW04M	FLAT WASHER 10MM
141	P0490141	KNIFE GAUGE ASSEMBLY
142	P0490142	POWER CORD
143	P0490143	MOTOR CORD
144	P0490144	CONTROL PANEL CORD

G0490 CUTTERHEAD

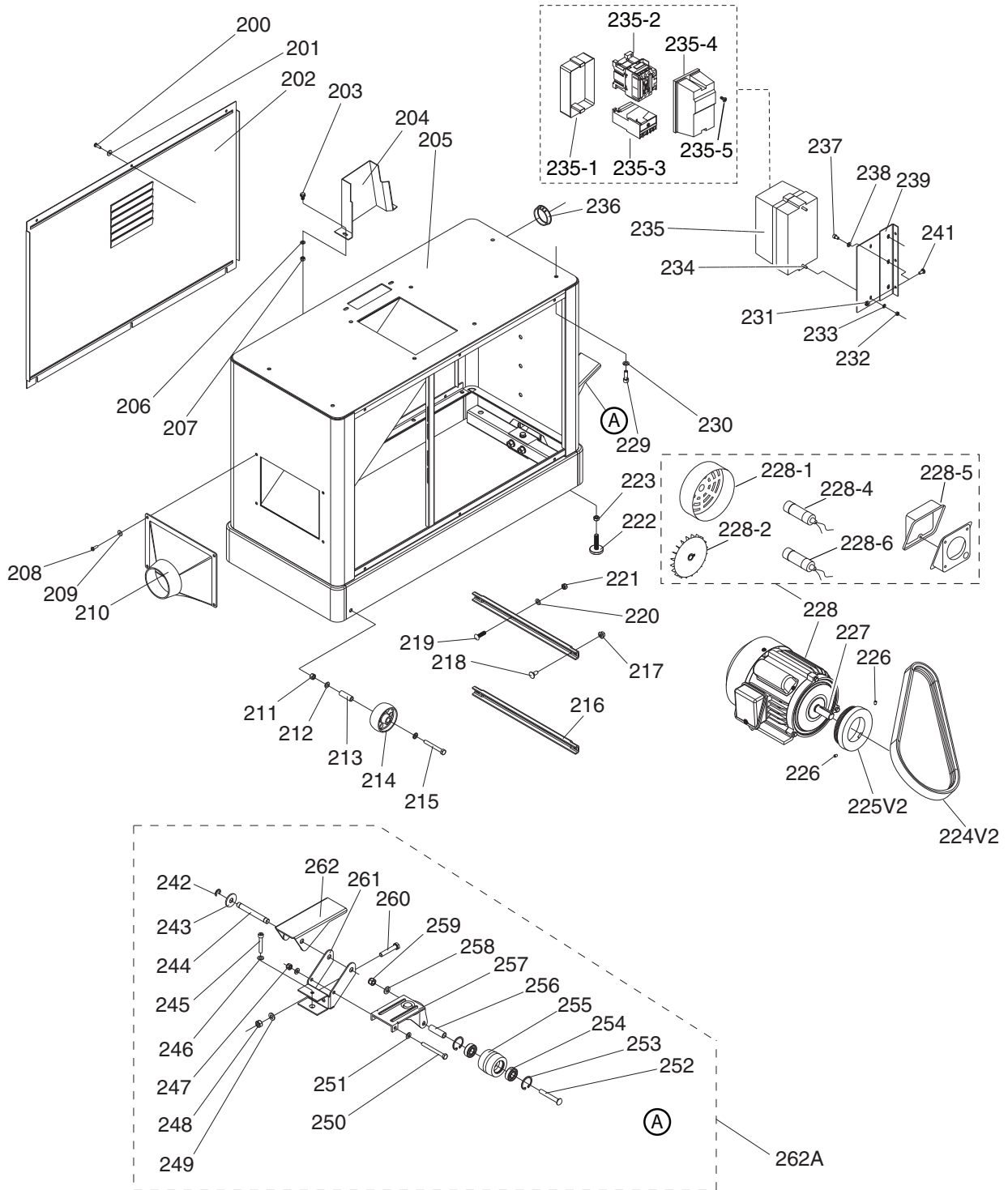
REF	PART #	DESCRIPTION
60	PSS34M	SET SCREW M5-.8 X 16
61	P0490061	KNIFE LIFTER
62	P0490062	CUTTERHEAD
64	H8842	REPLACEMENT KNIFE (SET OF 4)
65	P0490065	KNIFE GIB
66	P0490066	KNIFE SCREW

G0490X CUTTERHEAD

REF	PART #	DESCRIPTION
61	P0452Z001	DRIVER BIT TORX T20
62	P0490X062	SPIRAL CUTTERHEAD 8"
64	P0452Z002	INDEXABLE INSERT 14 X 14 X 2
65	P0452Z009	L-WRENCH TORX T20
66	PFH35M	FLAT HD TORX T20 M6-1 X 15



Cabinet Breakdown



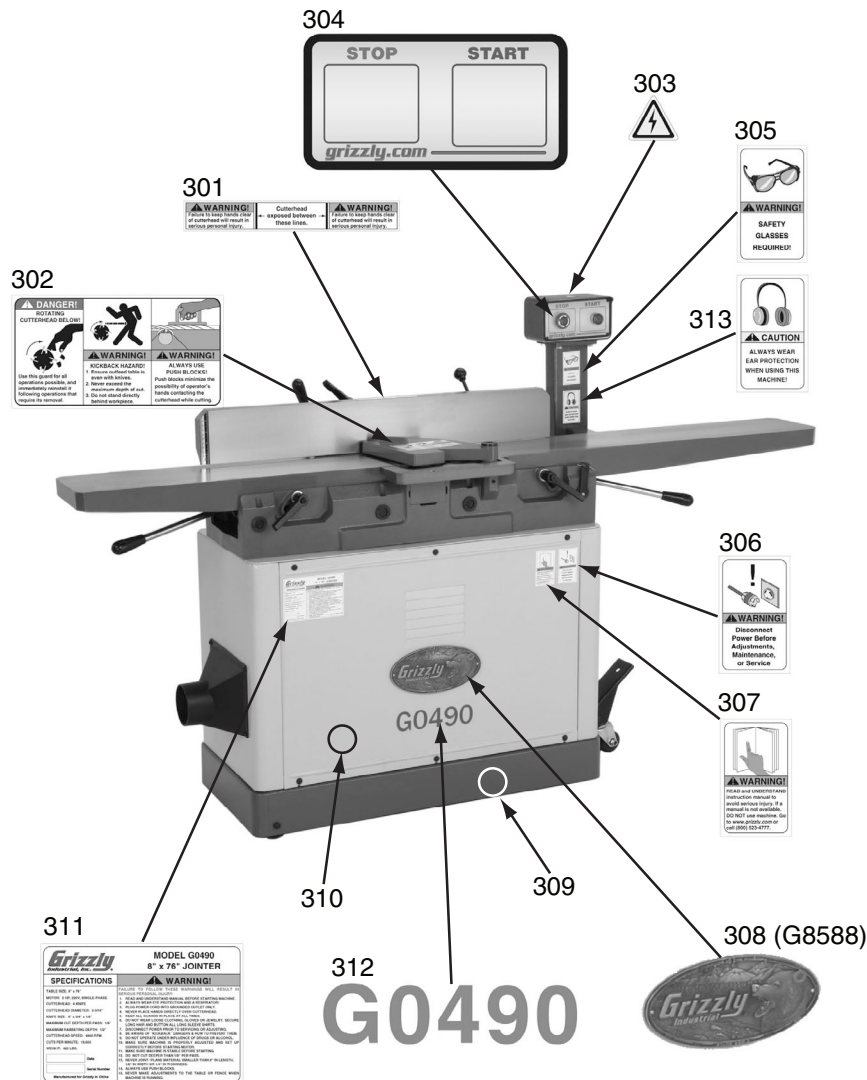
Cabinet Parts List

REF	PART #	DESCRIPTION
200	PS40M	PHLP HD SCR M5-.8 X 16
201	PW02M	FLAT WASHER 5MM
202	P0490202	REAR PANEL
203	PFS02M	FLANGE SCREW M6-1 X 12
204	P0490204	BELT GUARD
205	P0490205	CABINET
206	PW03M	FLAT WASHER 6MM
207	PN01M	HEX NUT M6-1
208	PS40M	PHLP HD SCR M5-.8 X 16
209	PW02M	FLAT WASHER 5MM
210	P0452213	DUST CHUTE
211	PN03M	HEX NUT M8-1.25
212	PW01M	FLAT WASHER 8MM
213	P0490213	SLEEVE
214	P0490214	WHEEL
215	PB86M	HEX BOLT M8-1.25 X 65
216	P0490216	MOTOR BRACKET
217	PFN02	FLANGE NUT 5/16-18
218	PCB05	CARRIAGE BOLT 5/16-18 X 3/4
219	PCB06	CARRIAGE BOLT 5/16-18 X 1-1/4
220	PW07	FLAT WASHER 5/16
221	PN02	HEX NUT 5/16-18
222	P0490222	LEVELING FOOT
223	PN08	HEX NUT 3/8-16
224V2	P0490224V2	RIBBED V-BELT 8PK-1172 V2.03.09
225V2	P0490225V2	MOTOR PULLEY ALUM V2.03.09
226	PSS02M	SET SCREW M6-1 X 6
227	PK12M	KEY 5 X 5 X 30
228	P0490228	MOTOR 3HP 220V 1PH
228-1	P0490228-1	MOTOR FAN COVER
228-2	P0490228-2	MOTOR FAN
228-4	PC200A	S CAPACITOR 200M 250V 1-3/8 X 2-3/4
228-5	P0490228-5	JUNCTION BOX
228-6	P0490228-6	R CAPACITOR 40M 250V 1-5/16 X 2-3/8
229	PCAP31M	CAP SCREW M8-1.25 X 25
230	PLW04M	LOCK WASHER 8MM
231	PN01M	HEX NUT M6-1

REF	PART #	DESCRIPTION
232	PN06M	HEX NUT M5-.8
233	PW02M	FLAT WASHER 5MM
234	PS06M	PHLP HD SCR M5-.8 X 20
235	P0490235	COMPLETE SWITCH ASSEMBLY
235-1	P0490235-1	SWITCH BOX REAR COVER
235-2	P0490235-2	CONTACTOR NHD C-09D 220V
235-3	P0490235-3	OL RELAY NHD NTH-11 8-11
235-4	P0490235-4	SWITCH BOX FRONT COVER
235-5	P0490235-5	SPECIAL SCREW
236	P0490236	STRAIN RELIEF
237	PCAP04M	CAP SCREW M6-1 X 10
238	PW03M	FLAT WASHER 6MM
239	P0490239	SWITCH PLATE
241	PS14M	PHLP HD SCR M6-1 X 12
242	PR16M	EXT RETAINING RING 9MM
243	PW06M	FLAT WASHER 12MM
244	P0490244	SHAFT
245	PB22M	HEX BOLT M8-1.25 X 50
246	PW01M	FLAT WASHER 8MM
247	PN03M	HEX NUT M8-1.25
248	PN02M	HEX NUT M10-1.5
249	PW04M	FLAT WASHER 10MM
250	PB45M	HEX BOLT M8-1.25 X 100
251	PW01M	FLAT WASHER 8MM
252	P0490252	SPECIAL BOLT
253	PR21M	INT RETAINING RING 35MM
254	P6202	BALL BEARING 6202 OPEN FACE
255	P0490255	TROLLEY WHEEL
256	P0490256	SLEEVE
257	P0490257	TROLLEY BRACKET
258	PW04M	FLAT WASHER 10MM
259	PN02M	HEX NUT M10-1.5
260	PB144M	HEX BOLT M10-1.5 X 55
261	P0490261	PEDAL BRACKET
262	P0490262	PEDAL
262A	P0490262A	PEDAL ASSEMBLY



Labels



REF	PART #	DESCRIPTION
301	P0490301	FENCE/CUTTERHEAD LABEL
302	P0490302	CUTTERHEAD GUARD LABEL
303	PLABEL-14	ELECTRICITY LABEL
304	P0490304	CONTROL PANEL FACE
305	PLABEL-11	SAFETY GLASSES LABEL
306	PLABEL-36	DISCONNECT POWER LABEL
307	PLABEL-12	READ MANUAL LABEL
308	G8588	GRIZZLY NAMEPLATE

REF	PART #	DESCRIPTION
309	PPAINT-1	GRIZZLY GREEN TOUCH-UP PAINT
310	PPAINT-11	GRIZZLY PUTTY TOUCH-UP PAINT
311	P0490311	MACHINE ID LABEL (G0490)
311	P0490X311	MACHINE ID LABEL (G0490X)
312	P0490312	MODEL NUMBER LABEL (G0490)
312	P0490X312	MODEL NUMBER LABEL (G0490X)
313	P0490313	HEARING PROTECTION LABEL

! WARNING

Safety labels warn about machine hazards and ways to prevent injury. The owner of this machine **MUST** maintain the original location and readability of the labels on the machine. If any label is removed or becomes unreadable, **REPLACE** that label before using the machine again. Contact Grizzly at (800) 523-4777 or www.grizzly.com to order new labels.

