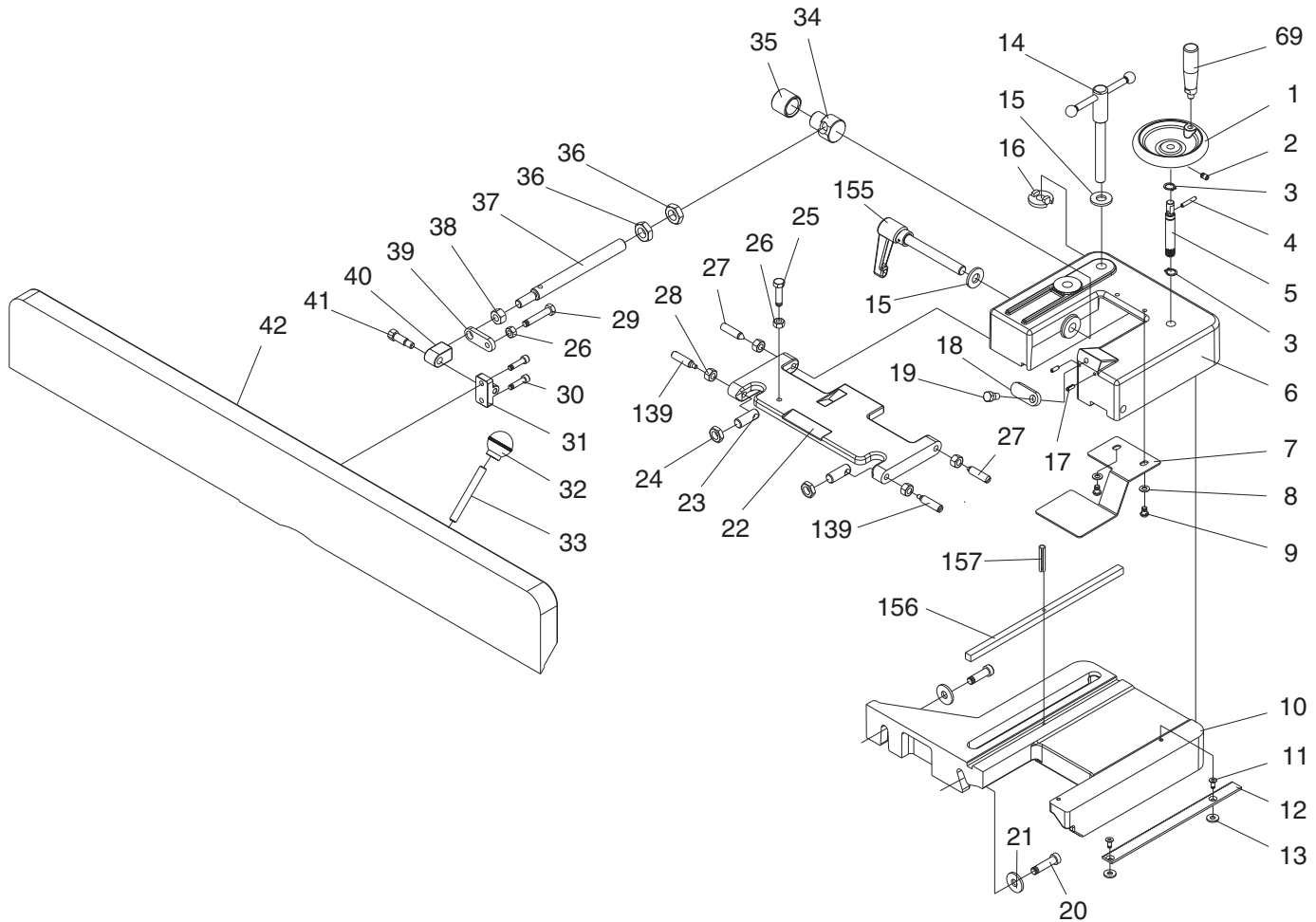


Fence Parts Breakdown & List

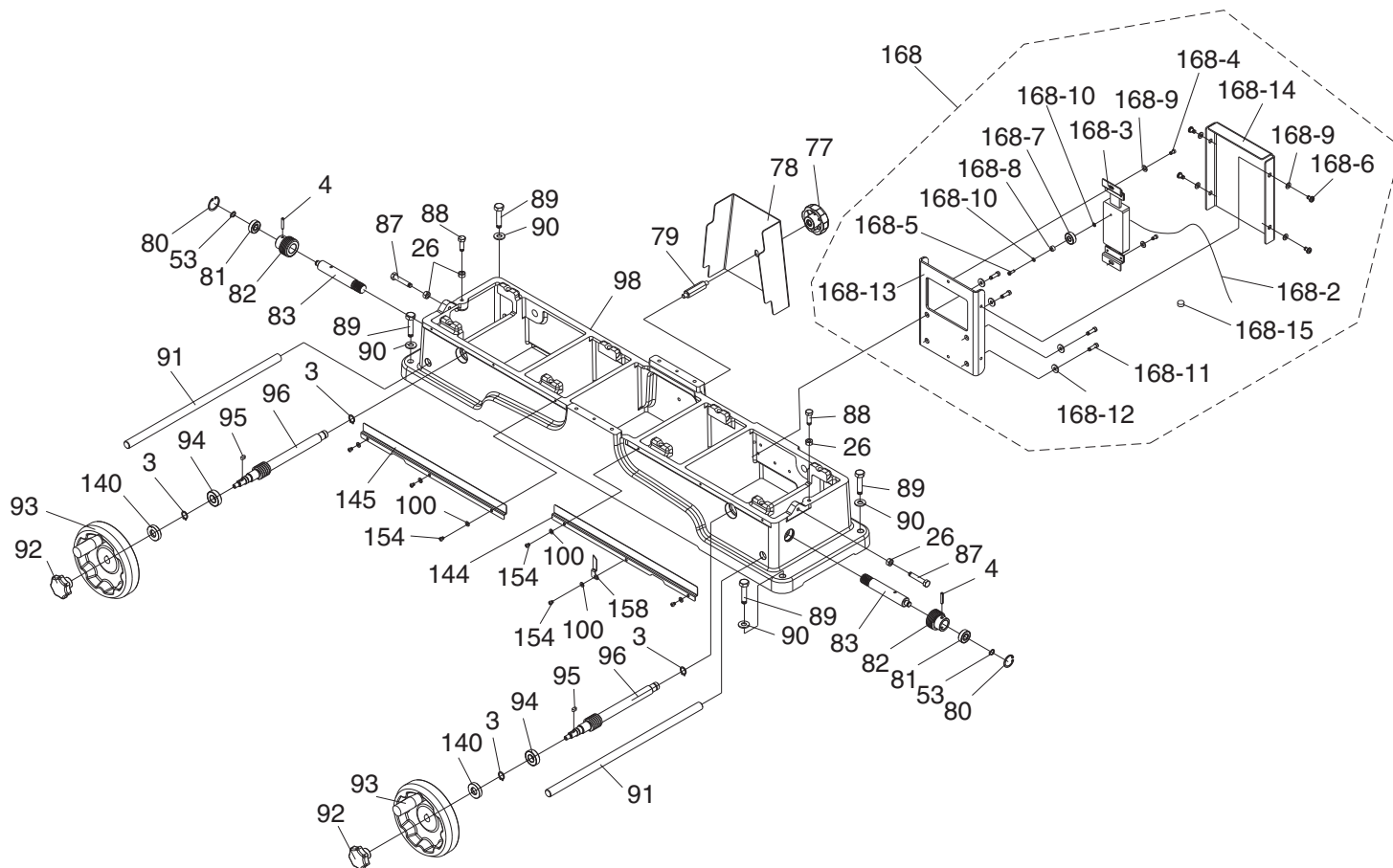


REF	PART #	DESCRIPTION
1	P0495X001	HANDWHEEL
2	PSS03	SET SCREW 1/4-20 X 3/8
3	PR05M	EXT RETAINING RING 15MM
4	PRP56M	ROLL PIN 4 X 25
5	P0495X005	GEAR SHAFT
6	P0495X006	FENCE BRACKET
7	P0495X007	PLATE
8	PW03M	FLAT WASHER 6MM
9	PSB17	CAP SCREW 1/4-20 X 3/8
10	P0495X010	TABLE BRACKET
11	PFH05M	FLAT HD SCR M5-.8 X 12
12	P0495X012	BAR
13	PW03M	FLAT WASHER 6MM
14	P0495X014	LOCKING HANDLE ASSEMBLY
15	P0495X015	SPECIAL WASHER
16	P0495X016	FENCE LOCK NUT
17	PRP18M	ROLL PIN 4 X 12
18	P0495X018	STOP BLOCK
19	P0495X019	SPECIAL BOLT 5/16-18 X 3/8
20	PSB19	CAP SCREW 3/8-16 X 1-1/4
21	PW04M	FLAT WASHER 10MM
22	P0495X022	FENCE HINGE
23	P0495X023	SPECIAL BOLT
24	PN01	HEX NUT 1/2-20

REF	PART #	DESCRIPTION
25	PB12	HEX BOLT 5/16-18 X 1-1/4
26	PN02	HEX NUT 5/16-18
27	P0495X027	SPECIAL BOLT
28	PN08	HEX NUT 3/8-16
29	PB22	HEX BOLT 5/16-18 X 1-3/4
30	PSB06	CAP SCREW 1/4-20 X 1
31	P0495X031	BRACKET
32	P0495X032	HANDLE
33	P0495X033	SHAFT
34	P0495X034	PIVOT NUT
35	P0495X035	COLLAR
36	PN02	HEX NUT 5/16-18
37	P0495X037	ROD
38	PN19	HEX NUT 7/16-14
39	P0495X039	STOP TAB
40	P0495X040	ADAPTER
41	P0495X041	ADAPTER SCREW
42	P0495X042	FENCE
69	P0495X069	FENCE ADJUSTMENT WHEEL HANDLE
139	P0495X139	BOLT
155	P0495X155	TILT LOCK
156	P0495X156	KEY 9.5 x 9.5 x 268
157	PRP19M	ROLL PIN 4 x 14



Base Parts Breakdown & List

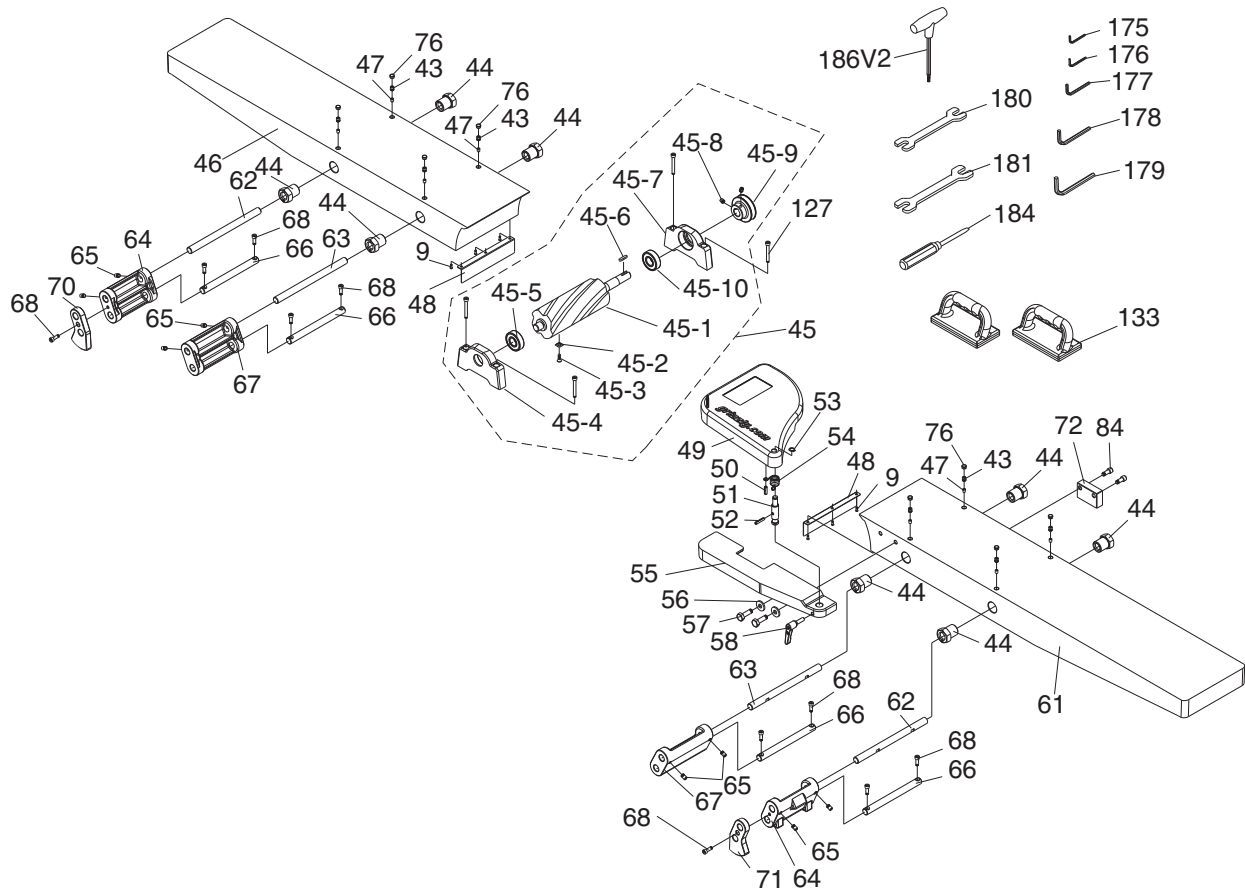


REF	PART #	DESCRIPTION
3	PR05M	EXT RETAINING RING 15MM
4	PRP56M	ROLL PIN 4 X 25
26	PN02	HEX NUT 5/16-18
53	PR16M	EXT RETAINING RING 9MM
77	P0495X077	KNOB
78	P0495X078	GUARD COVER
79	P0495X079	DOUBLE-END STUD
80	PR66M	INT RETAINING RING 25MM
81	P6000	BALL BEARING 6000ZZ
82	P0495X082	PINION GEAR
83	P0495X083	SHAFT
87	PB22	HEX BOLT 5/16-18 X 1-3/4
88	PB03	HEX BOLT 5/16-18 X 1
89	PB58	HEX BOLT 3/8-16 X 2
90	PW04M	FLAT WASHER 10MM
91	P0495X091	LIFTING ROD
92	P0495X092	LOCKING NUT
93	P0495X093	HANDWHEEL ASSEMBLY
94	P6002	BALL BEARING 6002ZZ
95	PK06M	KEY 5 X 5 X 10
96	P0495X096	SPIRAL GEAR SHAFT
98	P0495X098	BASE

REF	PART #	DESCRIPTION
100	PW02M	FLAT WASHER 5MM
140	P0495X140	BUSHING
144	P0495X144	RIGHT DUST PLATE
145	P0495X145	LEFT DUST PLATE
154	PS18	PHLP HD SCR 10-24 X 1/4
158	P0495X158	POINTER
168	P0495X168	SENSOR ASSEMBLY
168-2	P0495X168-2	CORD
168-3	P0495X168-3	DIGITAL SENSOR W/SLIDING SHAFT
168-4	PSB03M	CAP SCREW M5-.8 X 8
168-5	PS50M	PHLP HD SCR M3-.5 X 12
168-6	PS05M	PHLP HD SCR M5-.8 X 8
168-7	P606	BALL BEARING 606
168-8	P0495X168-8	BUSHING
168-9	PW02M	FLAT WASHER 5MM
168-10	PW07M	FLAT WASHER 3MM
168-11	PSB07	CAP SCREW 5/16-18 X 3/4
168-12	PW01M	FLAT WASHER 8MM
168-13	P0495X168-13	PLATE
168-14	P0495X168-14	COVER
168-15	P0495X168-15	BATTERY 1.5V SILVER OXIDE 357/303



Table Parts Breakdown & List

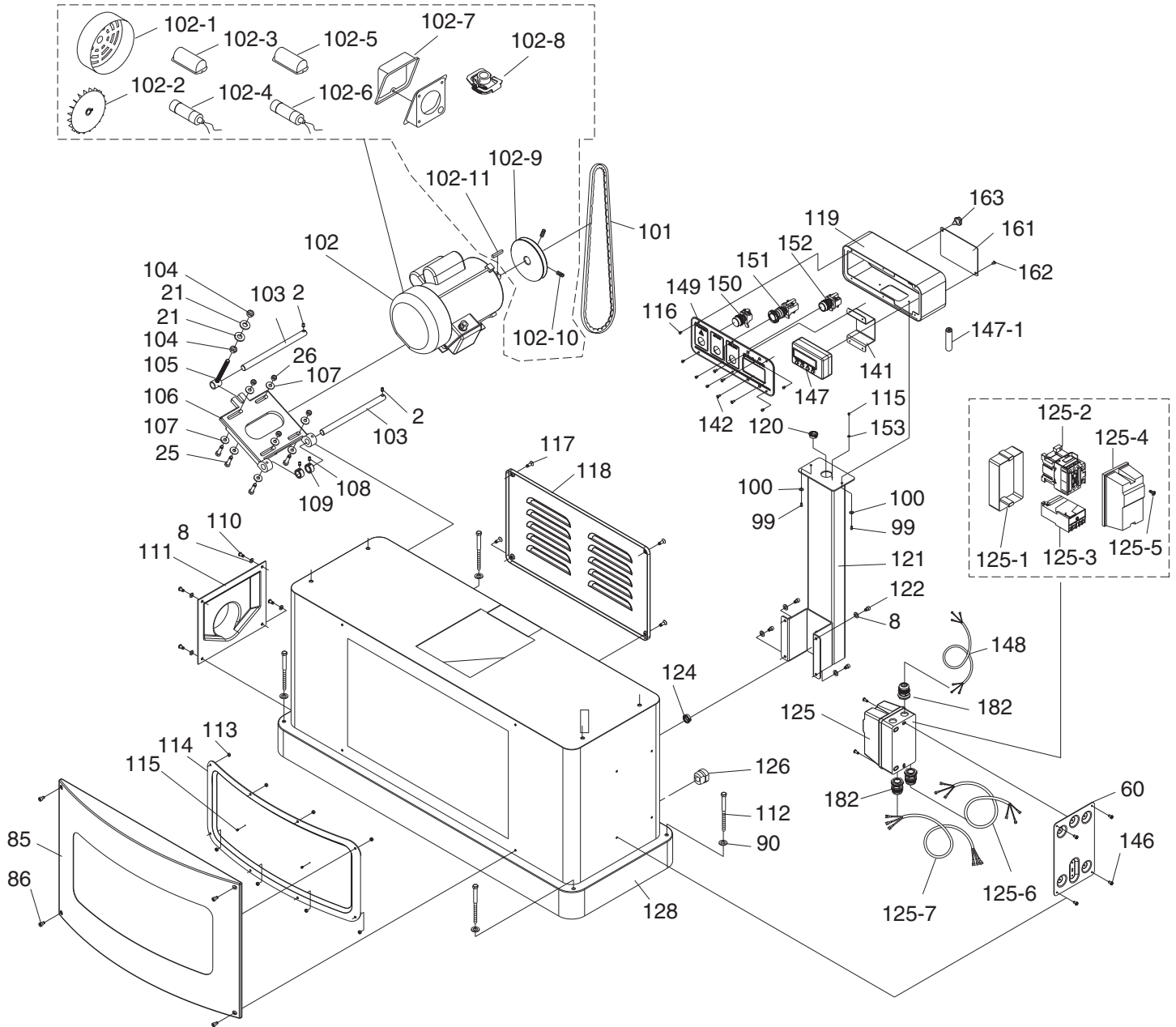


REF	PART #	DESCRIPTION
9	PSB17	CAP SCREW 1/4-20 X 3/8
43	PSS02	SET SCREW 5/16-18 X 3/8
44	P0495X044	ECCENTRIC BUSHING
45	P0495X045	SP CUTTERHEAD ASSEMBLY
45-1	P0495X045-1	SPIRAL CUTTERHEAD
45-10	P6203	BALL BEARING 6203ZZ
45-2	H9893	CARBIDE INSERTS 15 X 15 X 2.5
45-3	P0495X045-3	FLAT HD TORX SCR #10-32 X 1/2
45-4	P0495X045-4	LEFT BEARING SUPPORT BLOCK
45-5	P6203	BALL BEARING 6203ZZ
45-6	PK12M	KEY 5 X 5 X 30
45-7	P0495X045-7	RIGHT BEARING SUPPORT BLOCK
45-8	PSS23M	SET SCREW M4-.7 X 10
45-9	P0495X045-9	CUTTERHEAD PULLEY
46	P0495X046	REAR TABLE
47	P0495X047	BUSHING
48	P0495X048	CHIPBREAKER
49	P0495X049	BLADE GUARD
50	PRP07M	ROLL PIN 6 X 20
51	P0495X051	SHAFT
52	PRP27M	ROLL PIN 5 X 28
53	PR16M	EXT RETAINING RING 9MM
54	P0495X054	TORSION SPRING
55	P0495X055	FENCE LINK
56	PW04M	FLAT WASHER 10MM
57	PB24	HEX BOLT 3/8-16 X 1-1/4

REF	PART #	DESCRIPTION
58	P0495X058	CUTTERHEAD GUARD LOCK HANDLE
61	P0495X061	FRONT TABLE
62	P0495X062	SHAFT
63	P0495X063	SHAFT
64	P0495X064	BRACKET
65	PSS08	SET SCREW 5/16-18 X 1/2
66	P0495X066	ROD SHAFT
67	P0495X067	ROD BRACKET
68	PSB05	CAP SCREW 1/4-20 X 3/4
70	P0495X070	LEFT ELEVATE BRACKET
71	P0495X071	RIGHT ELEVATE BRACKET
72	P0495X072	SENSOR MOUNT BLOCK
76	P0495X076	SCREW COVER
84	PSB07	CAP SCREW 5/16-18 X 3/4
127	PSB25	CAP SCREW 5/16-18 X 1-3/4
133	P0495X133	PUSH BLOCK
175	PAW03M	HEX WRENCH 3MM
176	PAW04M	HEX WRENCH 4MM
177	PAW05M	HEX WRENCH 5MM
178	PAW06M	HEX WRENCH 6MM
179	PAW08M	HEX WRENCH 8MM
180	PWR1214	WRENCH 12 X 14
181	PRR1417	WRENCH 14 X 17
184	P0495X184	PHILLIPS SCREWDRIVER #1
186V2	P0495X186V2	T-HANDLE T-25 TORX DRIVER V2.06.11



Stand Parts Breakdown & List



REF	PART #	DESCRIPTION
2	PSS03	SET SCREW 1/4-20 X 3/8
8	PW03M	FLAT WASHER 6MM
21	PW04M	FLAT WASHER 10MM
25	PB12	HEX BOLT 5/16-18 X 1-1/4
26	PN02	HEX NUT 5/16-18
60	P0495X060	SWITCH PLATE
85	P0495X085	CAP
86	PSB04M	CAP SCREW M6-1 X 10
90	PW04M	FLAT WASHER 10MM
99	PSB03M	CAP SCREW M5-.8 X 8
100	PW02M	FLAT WASHER 5MM
101	PVA52	V-BELT A-52 4L520
102	P0495X102	MOTOR 3HP, 220V, SINGLE-PHASE
102-1	P0495X102-1	FAN COVER

REF	PART #	DESCRIPTION
102-2	P0495X102-2	FAN
102-3	P0495X102-3	S CAPACITOR COVER
102-4	P0495X102-4	S CAP 500M 125V 1-1/2 X 3-1/2
102-5	P0495X102-5	R CAPACITOR COVER
102-6	P0495X102-6	R CAP 40M 300V 1-1/2 X 2-3/8
102-7	P0495X102-7	JUNCTION BOX
102-8	P0495X102-8	CENTRIFUGAL SWITCH
102-9	P0495X102-9	MOTOR PULLEY
102-10	PSS03	SET SCREW 1/4-20 X 3/8
102-11	PK33M	KEY 5 X 5 X 45
103	P0495X103	SHAFT
104	PN02M	HEX NUT M10-1.5
105	P0495X105	ADJUSTING SHAFT

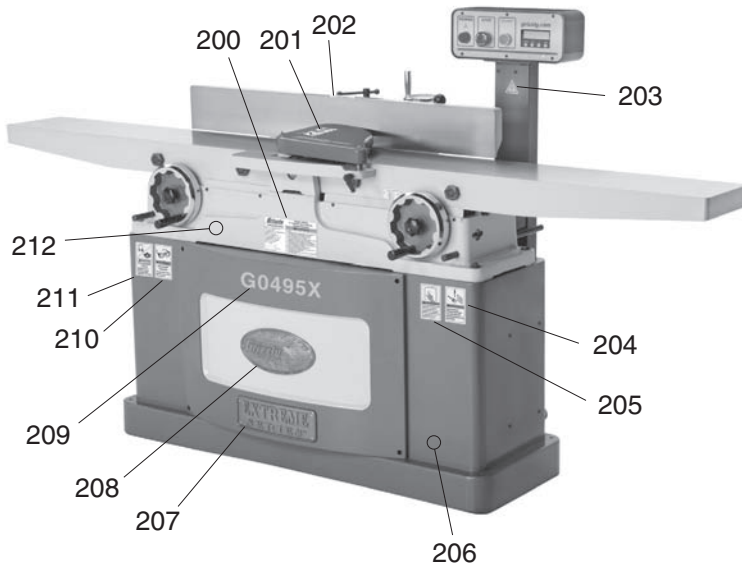


Stand Parts List

REF	PART #	DESCRIPTION
106	P0495X106	MOTOR PLATE
107	PW01M	FLAT WASHER 8MM
108	PSS03M	SET SCREW M6-1 X 8
109	P0495X109	COLLAR
110	PSB04	PHLP HD SCREW 1/4-20 X 1/2
111	P0495X111	DUST CHUTE
112	PB70	HEX BOLT 3/8-16 X 6
113	PN06M	HEX NUT M5-.8
114	P0495X114	FRONT COVER
115	PS07M	PHLP HD SCR M4-.7 X 8
116	PSBS26M	BUTTON HD CAP SCR M4-.7 X 12
117	PFH05	FLAT HD SCR 1/4-20 X 3/4
118	P0495X118	REAR ACCESS PLATE
119	P0495X119	CONTROL PANEL COVER
120	P0495X120	STRAIN RELIEF NB-2430
121	P0495X121	SWITCH BRACKET ASSEMBLY
122	PSB04	CAP SCREW 1/4-20 X 1/2
124	P0495X124	STRAIN RELIEF NB-1722
125	P0495X125	MAGNETIC SWITCH
125-1	P0495X125-1	MAG SWITCH BACK COVER
125-2	P0495X125-2	CONTACTOR SDE MA-18 220V
125-3	P0495X125-3	OL RELAY SDE RA-30 18-26

REF	PART #	DESCRIPTION
125-4	P0495X125-4	MAG SWITCH FRONT COVER
125-5	P0495X125-5	NYLON SCREW M10-1.5 X 22
125-6	P0495X125-6	POWER CORD 14AWG X 3C
125-7	P0495X125-7	CONTROL PANEL CORD 16AWG X 5C
126	P0495X126	STRAIN RELIEF SB8R-1
128	P0495X128	STAND
141	P0495X141	DIGITAL READOUT BRACKET
142	PFH57M	FLAT HD SCR M3-.5 X 8
146	PS05M	PHLP HD SCR M5-.8 X 8
147	P0495X147	DIGITAL READOUT ASSEMBLY
147-1	P0495X147-1	BATTERY AAA
148	P0495X148	MOTOR CORD 14AWG X 3C
149	P0495X149	SWITCH PLATE
150	P0495X150	LIGHT 250V 1.2W JG18
151	P0495X151	STOP SWITCH
152	P0495X152	START SWITCH
153	PTLW01M	EXT TOOTH WASHER 4MM
161	P0495X161	ACCESS DOOR
162	P0495X162	SPECIAL SCREW
163	P0495X163	KNOB M6-1
182	P0495X182	STRAIN RELIEF

Label Placement



REF	PART #	DESCRIPTION
200	P0495X200	MACHINE ID LABEL
201	PLABEL-29	CUTTERHEAD GUARD LABEL
202	P0495X202	FENCE/CUTTERHEAD LABEL
203	PLABEL-14	ELECTRICITY LABEL
204	PLABEL-36	DISCONNECT 220V POWER LABEL
205	PLABEL-12A	READ MANUAL-VERTICAL NS 7/05 LABEL
206	PPAINT-1	"GRIZZLY GREEN" TOUCH-UP PAINT
207	P0495X207	EXTREME SERIES PLATE
208	G8589	GRIZZLY NAMEPLATE-LARGE
209	P0495X209	MODEL # LABEL
210	PLABEL-11	SAFETY GLASSES 2" X 3-5/16" LABEL
211	P0495X211	EAR PROTECTION/RESPIRATOR LABEL
212	PPAINT-11	"PUTTY" TOUCH-UP PAINT

!WARNING

Safety labels warn about machine hazards and ways to prevent injury. The owner of this machine **MUST** maintain the original location and readability of the labels on the machine. If any label is removed or becomes unreadable, **REPLACE** that label before using the machine again. Contact Grizzly at (800) 523-4777 or www.grizzly.com to order new labels.

