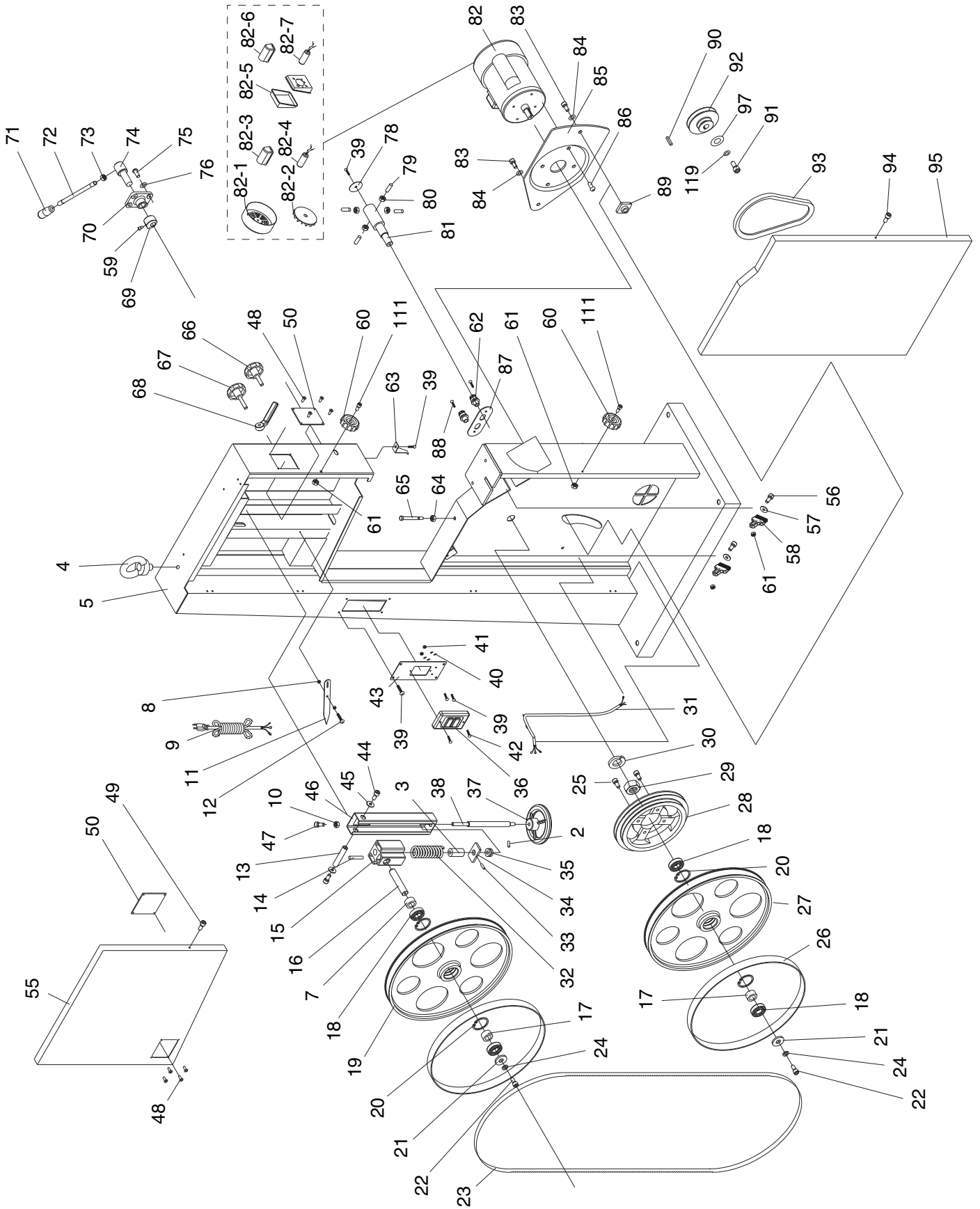
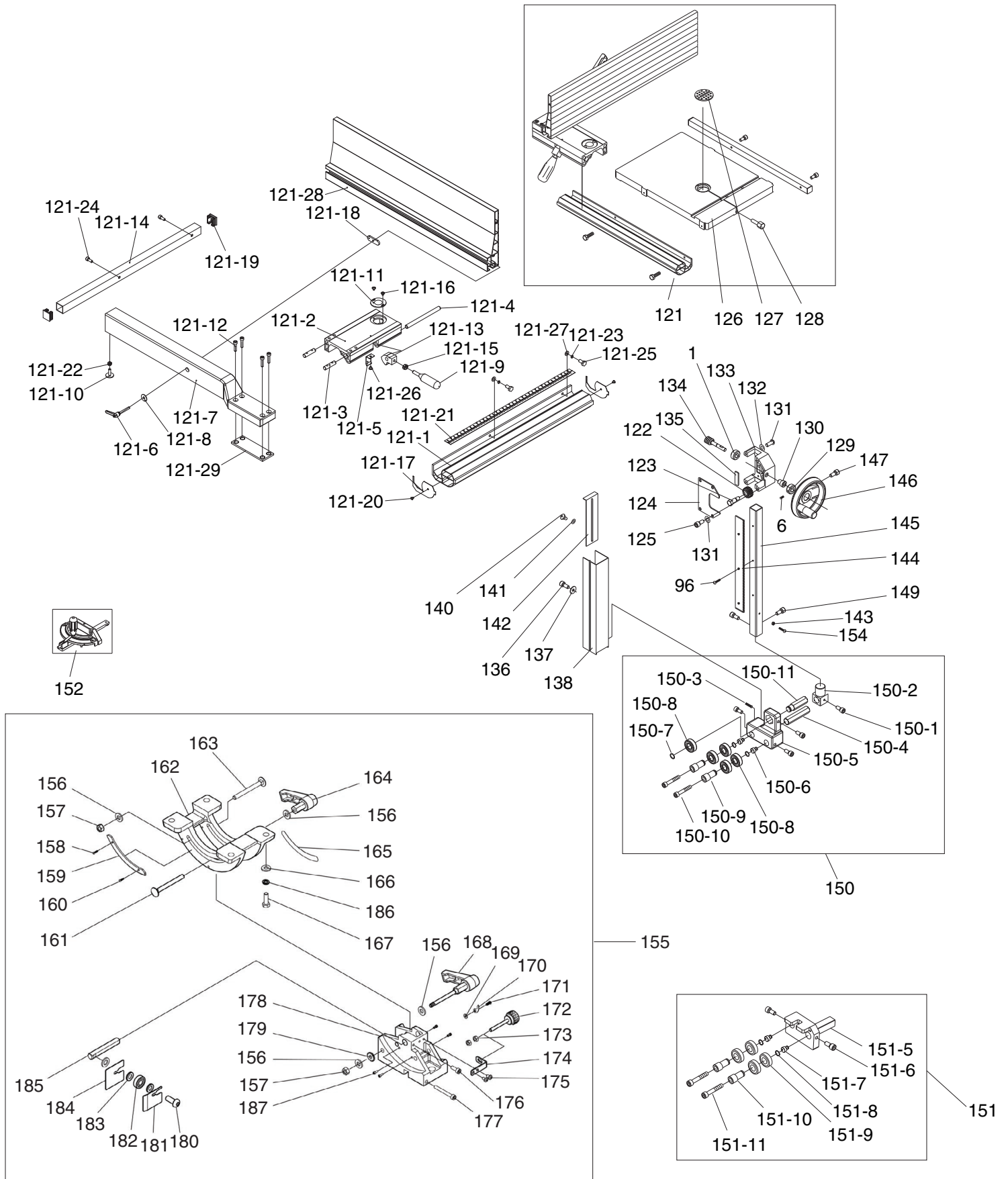


G0513X2 Main Parts



G0513X2 Fence/Guides Parts



G0513X2 Parts List

REF	PART #	DESCRIPTION
1	P0513X001	BUSHING
2	PSS01M	SET SCREW M6-1 X 10
3	P0513X003	BUSHING
4	P0513004	LIFTING EYE BOLT M10-1.5
5	P0513005	MACHINE BODY
6	PSS07M	SET SCREW M5-.8 X 5
7	P0513X007	BUSHING
8	PW03M	FLAT WASHER 6MM
9	PWRCRD220L	POWER CORD
10	PN01M	HEX NUT M6-1
11	P0513011	POINTER
12	P0513012	SHOULDER SCREW M4-.7 X 5
13	P0513013	UPPER SHAFT
14	PRP10M	ROLL PIN 5 X 36
15	P0513015	UPPER WHEEL SHAFT HINGE
16	P0513016	UPPER WHEEL SHAFT
17	P0513017	BUSHING
18	P6204LLU	BALL BEARING 6204LLU
19	P0513X019	UPPER WHEEL 17"
20	PR25M	INT RETAINING RING 47MM
21	P0513X021	SPECIAL WASHER 8MM
22	PSB11M	CAP SCREW M8-1.25 X 16
23	P0513023	SAW BLADE 1/2" X 131.5"
24	PLW04M	LOCK WASHER 8MM
25	PSB14M	CAP SCREW M8-1.25 X 20
26	P0513X026	TIRE
27	P0513X027	LOWER WHEEL 17"
28	P0513X028	IDLE PULLEY
29	PN32	HEX NUT 1-14
30	PLW09	LOCK WASHER 1"
31	PWRCRD220S	MOTOR CORD
32	P0513032	COMPRESSION SPRING
33	PRP02M	ROLL PIN 3 X 16
34	P0513034	LOCATE BLOCK
35	P51201	THRUST BEARING 51201
36	P0513036	SWITCH
37	P0513037	HANDWHEEL
38	P0513038	ADJUSTING BOLT
39	PFS07M	FLANGE SCREW M5-.8 X 10
40	PTLW02M	EXT TOOTH WASHER 5MM
41	PN06M	HEX NUT M5-.8
42	PFS08M	FLANGE SCREW M5-.8 X 16
43	P0513043	SWITCH PLATE
44	PSB11M	CAP SCREW M8-1.25 X 16
45	P0513X045	FENDER WASHER 8MM
46	P0513046	UPPER WHEEL SLIDING BRACKET
47	PSB05M	CAP SCREW M6-1 X 50
48	P0513048	RIVET 3.2 X 10
49	PSB04M	CAP SCREW M6-1 X 10
50	P0513050	CLEAR WINDOW
51	P0513X051	TRUNNION PLATE
52	PLW04M	LOCK WASHER 8MM
53	PB03M	HEX BOLT M8-1.25 X 16

REF	PART #	DESCRIPTION
54	PCB23M	CARRIAGE BOLT M8-1.25 X 80
55	P0513055	UPPER WHEEL COVER
56	PB10M	HEX BOLT M6-1 X 25
57	PW03M	FLAT WASHER 6MM
58	P0513058	BRUSH
59	PSB06M	CAP SCREW M6-1 X 25
60	P0513X060	STAR HANDLE
61	PLN03M	LOCK NUT 6MM
62	P0513062	STRAIN RELIEF 16MM
63	P0513063	HEIGHT POINTER
64	PN03M	HEX NUT M8-1.25
65	PB124M	HEX BOLT M8-1.25 X 90
66	P0513066	KNOB SCREW M10-1.5 X 20
67	P0513067	KNOB SCREW M10-1.5 X 55
68	P0513068	THREADED HANDLE 10MM
69	P0513069	CAM
70	P0513070	PILLOW BLOCK
71	P0513071	HANDLE M10-1.5
72	P0513072	LEVER ROD
73	PN09M	HEX NUT M12-1.75
74	P0513074	SHAFT
75	PSBS01M	BUTTON HD CAP SCR M8-1.25 X 20
76	PLW04M	LOCK WASHER 8MM
77	PSB02M	CAP SCREW M6-1 X 20
78	P0513078	COVER
79	PSS09M	SET SCREW M8-1.25 X 20
80	PN03M	HEX NUT M8-1.25
81	P0513081	LOWER WHEEL SHAFT
82	P0513082	MOTOR 2HP 110/220V
82-1	P0513X082-1	MOTOR FAN COVER
82-2	P0513X082-2	MOTOR FAN
82-3	P0513X082-3	CAPACITOR COVER
82-4	P0513X082-4	R. CAPACITOR 40M 250VAC
82-5	P0513X082-5	WIRING BOX
82-6	P0513X082-6	CAPACITOR COVER
82-7	P0513X082-7	S. CAPACITOR 200M 250VAC
83	PB32M	HEX BOLT M10-1.5 X 25
84	PLW06M	LOCK WASHER 10MM
85	P0513085	MOTOR BRACKET
86	PSBS01M	BUTTON HD CAP SCR M8-1.25 X 20
87	P0513087	PLATE
88	PFS07M	FLANGE SCREW M5-.8 X 10
89	P0513089	PILLOW BLOCK
90	PK15M	KEY 5 X 5 X 35
91	PB81M	HEX BOLT M8-1.25 X 20 LH
92	P0513092	MOTOR PULLEY
93	PVA42	V-BELT A-42 4L420
94	PSB04M	CAP SCREW M6-1 X 10
95	P0513095	LOWER WHEEL COVER
96	PFH31M	FLAT HD SCR M4-.7 X 8
97	P0513X045	FENDER WASHER 8MM
98	PSB84M	CAP SCREW M10-1.5 X 35



REF	PART #	DESCRIPTION
99	PN02M	HEX NUT M10-1.5
100	P0513100	SMALL GEAR
101	P0513X101	LOCK HANDLE
102	P0513102	TRUNNION SUPPORT BRACKET
103	PLW06M	LOCK WASHER 10MM
104	PW04M	FLAT WASHER 10MM
105	PB18M	HEX BOLT M6-1 X 20
106	PSB37M	CAP SCREW M6-1 X 50
107	P0513107	PILLOW BLOCK
108	PN01M	HEX NUT M6-1
109	P0513109	ADJUST BOLT M6
110	P6000	BALL BEARING 6000ZZ
111	PSB02M	CAP SCREW M6-1 X 20
112	PW01M	FLAT WASHER 8MM
113	PW01M	FLAT WASHER 8MM
114	PS17M	PHLP HD SCR M4-.7 X 6
115	P0513115	GEAR PLATE
116	PLN04M	LOCK NUT M8-1.25
117	PS17M	PHLP HD SCR M4-.7 X 6
118	P0513118	LOCK HANDLE
119	PW05M	FLAT WASHER 4MM
120	P0513120	POINTER
121	P0513X121	FENCE SET ASSY L=590
121-1	PH7588001	FIXED BASE 640MM
121-2	PH7587002	ADJUST BASE
121-3	PH7587003	FIXED SHAFT
121-4	PH7587004	SHAFT
121-5	PH7587005	SPRING PIECE
121-6	PH7528004	LOCK HANDLE M8 X 44
121-7	PH7588007	SUPPORT TUBE 590MM
121-8	PW01M	FLAT WASHER 8MM
121-9	PH7587009	FENCE HANDLE M8-1.25 X 22
121-10	PH7587010	RAIL PAD
121-11	PH7587011	CONVEX
121-12	PSB69M	CAP SCREW M6-1 X 25
121-13	PH7587013	FIXED LUMP
121-14	PH7588014	SQUARE TUBE 640MM
121-15	PN03M	HEX NUT M8-1.25
121-16	PFS04M	FLANGE SCREW M4-.7 X 6
121-17	PH7587017	GUARD PIECE
121-18	PH7528002	MOVING PLATE
121-19	PH7587019	PLUG
121-20	PHTEK3M	TAP SCREW M3.5 X 8
121-21	PH7587021	SCALE
121-22	PN01M	HEX NUT M6-1
121-23	PLW03M	LOCK WASHER 6MM
121-24	PSB01M	CAP SCREW M6-1 X 16
121-25	PB08M	HEX BOLT M6-1 X 20
121-26	PFB13M	FLANGE BOLT M4-.7 X 8
121-27	PW03M	FLAT WASHER 6MM
121-28	PH7588028	RESAW FENCE (AL) 590MM
121-29	PH7587029	SPACER PLATE
122	P0513X122	GEAR
123	P0513X123	FIXED BOLT
124	P0513X124	COVER
125	PSB11M	CAP SCREW M8-1.25 X 16
126	P0513X126	TABLE 17" X 24"

REF	PART #	DESCRIPTION
127	P0513X127	TABLE INSERT
128	P0513X128	TABLE PIN
129	P0513X129	LOCATE BUSHING
130	P0513X130	BUSHING
131	PSBS01M	BUTTON HD CAP SCR M8-1.25 X 20
132	PLW04M	LOCK WASHER 8MM
133	P0513X133	GUIDE BRACKET
134	P0513X134	WORM CYLINDER
135	P0513X135	FIXED PLATE
136	PSB50M	CAP SCREW M5-.8 X 10
137	PW02M	FLAT WASHER 5MM
138	P0513X138	PROTECTIVE COVER ASSY
139	PSB72M	CAP SCREW M10-1.5 X 30
140	P0513X140	SHOULDER SCREW
141	P0513X141	FIBER WASHER
142	P0513X142	SLIDING PLATE
143	PN04M	HEX NUT M4-.7
144	P0513X144	RACK
145	P0513X145	UPPER GUIDE HOSE
146	P0513X146	HANDWHEEL
147	PSB02M	CAP SCREW M6-1 X 20
148	PCB10M	CARRIAGE BOLT M8-1.25 X 85
149	PSB01M	CAP SCREW M6-1 X 16
150	P0513X150	BLADE ADJUSTMENT ASSY
150-1	PSB01M	CAP SCREW M6-1 X 16
150-2	P0513X150-2	UPPER GUIDE SUPPORT BLOCK
150-3	PSS01M	SET SCREW M6-1 X 10
150-4	P0513X150-4	ADJUST BAR
150-5	P0513X150-5	UPPER BLADE GUIDE SUPPORT
150-6	P0513X150-6	BIAS SHAFT
150-7	PR05M	EXT RETAINING RING 15MM
150-8	P6202	BALL BEARING 6202ZZ
150-9	P0513X150-9	HANDLE BUSHING
150-10	PSB48M	CAP SCREW M6-1 X 35
150-11	P0513X150-11	UPPER SPACING SLEEVE
151	P0513X151	BLADE ADJUSTMENT ASSY
151-5	P0513X151-5	LOWER BLADE GUIDE SUPPORT
151-6	PSB01M	CAP SCREW M6-1 X 16
151-7	P0513X151-7	BIAS SHAFT
151-8	PR05M	EXT RETAINING RING 15MM
151-9	P6202	BALL BEARING 6202ZZ
151-10	P0513X151-10	HANDLE BUSHING
151-11	PSB48M	CAP SCREW M6-1 X 35
152	P0513X152	MITER GAUGE ASSY
154	PS38M	PHLP HD SCR M4-.7 X 10
155	P0513X2155	CAST IRON TRUNNION ASSEMBLY
156	PW01M	FLAT WASHER 8MM
157	PLN04M	LOCK NUT M8-1.25
158	PS17M	PHLP HD SCR M4-.7 X 6
159	P0513115	GEAR PLATE
160	PFH32M	FLAT HD SCR M4-.7 X 6
161	PCB10M	CARRIAGE BOLT M8-1.25 X 85
162	P0513X2162	UPPER TRUNNION
163	PCB23M	CARRIAGE BOLT M8-1.25 X 80
164	P0513118	LOCK HANDLE M8-1.25
165	P0513X2165	ANGLE LABEL
166	PW01M	FLAT WASHER 8MM



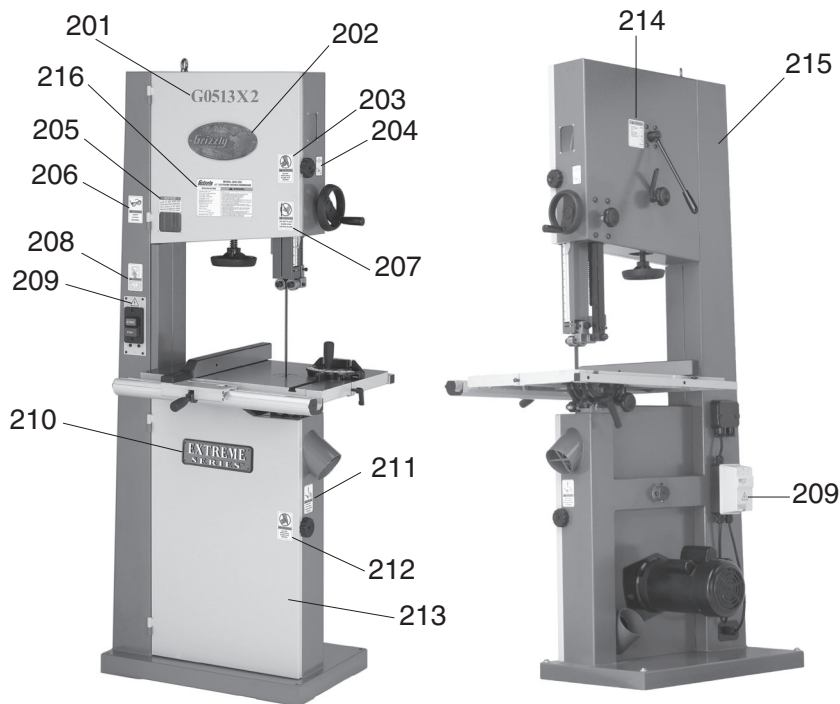
REF	PART #	DESCRIPTION
167	PB07M	HEX BOLT M8-1.25 X 25
168	P0513X101	LOCK HANDLE M8-1.25
169	PW05M	FLAT WASHER 4MM
170	P0513120	POINTER
171	PS17M	PHLP HD SCR M4-.7 x 6
172	P0513109	ADJUST BOLT M6-1
173	PN01M	HEX NUT M6-1
174	P0513X2174	ADJUST PLATE
175	PFH01M	FLAT HD SCR M5-.8 X 15
176	PSB01M	CAP SCREW M6-1 X 16
177	PSB37M	CAP SCREW M6-1 X 50

REF	PART #	DESCRIPTION
178	P0513X2178	TRUNNION SUPPORT BRACKET
179	P0513100	SMALL GEAR
180	PSBS19M	BUTTON HD CAP SCR M10-1.5 X 30
181	P0513X2181	RIGHT COVER
182	P6000	BALL BEARING 6000ZZ
183	PW04M	FLAT WASHER 10MM
184	P0513X2184	LEFT COVER
185	P0513X2185	ADJUST BLOCK
186	PLW04M	LOCK WASHER 8MM
187	PSB97M	CAP SCREW M5-.8 X 6

G0513X2 Labels

⚠️ WARNING

Safety labels warn about machine hazards and ways to prevent injury. The owner of this machine **MUST** maintain the original location and readability of the labels on the machine. If any label is removed or becomes unreadable, **REPLACE** that label before using the machine again. Contact Grizzly at (800) 523-4777 or www.grizzly.com to order new labels.



REF	PART #	DESCRIPTION
201	P0513X2201	G0513X2 MODEL # LABEL
202	G8588	GRIZZLY LOGO PLATE
203	PLABEL-20	OPEN DOOR LABEL
204	P0513X204	GUARD ADJ LABEL
205	P0513X205	SCALE DIRECTIONS LABEL
206	PLABEL-11	SAFETY GLASSES LABEL
207	PLABEL-19	HANDS/BLADE LABEL
208	PLABEL-12	READ MANUAL LABEL

REF	PART #	DESCRIPTION
209	PLABEL-14	ELECTRICITY LABEL
210	P0513X210	EXTREME SERIES PLATE
211	PLABEL-18	DISCONNECT POWER LABEL
212	PLABEL-20	OPEN DOOR LABEL
213	PPAINT-11	"PUTTY" PAINT
214	P0513X214	TENSION ADJ LABEL
215	PPAINT-1	"GRIZZLY GREEN" PAINT
216	P0513X2216	MACHINE ID LABEL

