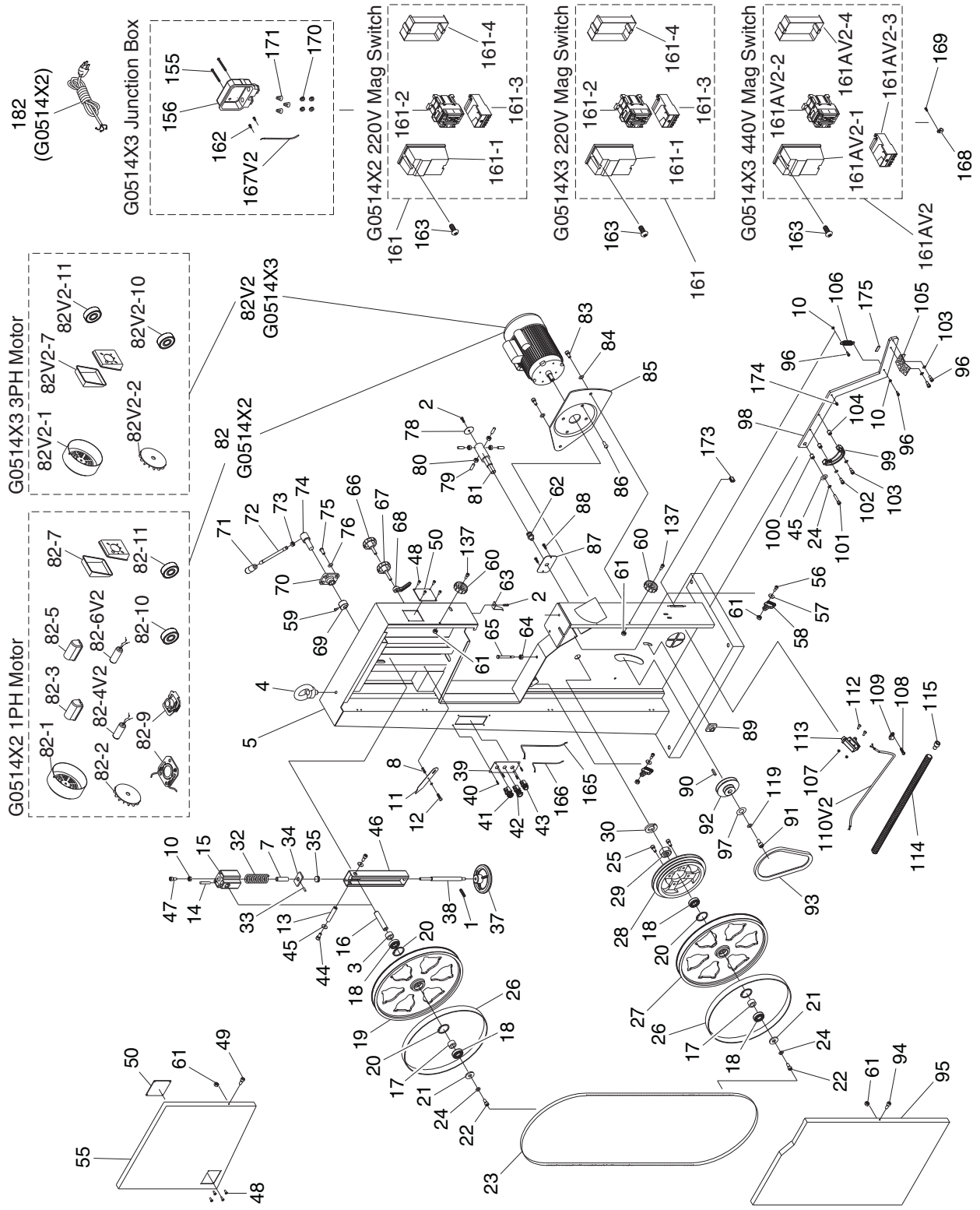


G0514X2 & G0514X3 Main



G0514X2 & G0514X3 Main Parts List

REF	PART #	DESCRIPTION
1	PSS01M	SET SCREW M6-1 X 10
2	PFS07M	FLANGE SCREW M5-.8 X 10
3	P0513X003	BUSHING
4	P0513004	LIFTING EYE BOLT M10-1.5
5	P0514X2005	MACHINE BODY
7	P0513X007	BUSHING
8	PW03M	FLAT WASHER 6MM
10	PN01M	HEX NUT M6-1
11	P0513011	TENSION POINTER
12	P0513012	STEP SCREW M4-.7 X 5
13	P0513013	SLEEVE
14	PRP91M	ROLL PIN 5 X 35
15	P0513015	UPPER WHEEL SHAFT HINGE
16	P0513016	UPPER WHEEL SHAFT
17	P0513017	BUSHING
18	P6204-2RS	BALL BEARING 6204 2RS
19	P0514X019	UPPER WHEEL 19"
20	PR25M	INT RETAINING RING 47MM
21	P0514X021	WHEEL FLAT WASHER 8MM
22	PCAP11M	CAP SCREW M8-1.25 X 16
23	P0514023	BLADE 6TPI HOOK 143"
24	PLW04M	LOCK WASHER 8MM
25	PCAP14M	CAP SCREW M8-1.25 X 20
26	T23072	URETHANE TIRE (PAIR)
27	P0514X027	LOWER WHEEL 19"
28	P0514X2028	IDLER PULLEY
29	PN32	HEX NUT 1-14
30	PLW09	LOCK WASHER 1"
32	P0513032	COMPRESSION SPRING 7 X 8 X 90
33	PRP02M	ROLL PIN 3 X 16
34	P0513034	SPRING BASE PLATE
35	P51201	THRUST BEARING 51201
37	P0513037	TENSION HANDWHEEL
38	P0513038	ADJUSTMENT SHAFT
39	P0514X039	CONTROL PANEL
40	PHTEK15M	TAP SCREW M4 X 10
41	P0514X041	KEYED POWER SWITCH
42	P0514X042	ON BUTTON
43	P0514X043	OFF BUTTON
44	PCAP11M	CAP SCREW M8-1.25 X 16
45	PWF08M	FENDER WASHER 8MM
46	P0513046	UPPER WHEEL SLIDING BRACKET
47	PCAP168M	CAP SCREW M6-1 X 90
48	PRIV006M	STEEL BLIND RIVET 3 X 10MM
49	PCAP26M	CAP SCREW M6-1 X 12
50	P0513050	CLEAR WINDOW
55	P0514055	WHEEL COVER UPPER
56	PCAP06M	CAP SCREW M6-1 X 25
57	PW03M	FLAT WASHER 6MM
58	P0513058	WHEEL BRUSH
59	PCAP06M	CAP SCREW M6-1 X 25
60	P0513060	STAR HANDLE

REF	PART #	DESCRIPTION
61	PLN03M	LOCK NUT M6-1
62	P0513062	STRAIN RELIEF 16MM
63	P0513063	HEIGHT POINTER
64	PN03M	HEX NUT M8-1.25
65	PB124M	HEX BOLT M8-1.25 X 90
66	P0513066	KNOB BOLT M10-1.5 X 20
67	P0513067	KNOB BOLT M10-1.5 X 53
68	P0513068	THREADED HANDLE 10MM
69	P0513069	CAM
70	P0513070	HUB BRACKET
71	P0513071	KNOB
72	P0513072	LEVER
73	PN09M	HEX NUT M12-1.75
74	P0513074	LEVER HUB
75	PBHS01M	BUTTON HD CAP SCR M8-1.25 X 20
76	PLW04M	LOCK WASHER 8MM
78	P0513078	SHAFT END CAP
79	PSS09M	SET SCREW M8-1.25 X 20
80	PN03M	HEX NUT M8-1.25
81	P0514X2081	LOWER WHEEL SHAFT
83	PB32M	HEX BOLT M10-1.5 X 25
84	PLW06M	LOCK WASHER 10MM
85	P0513085	MOTOR MOUNT PLATE
86	PBHS01M	BUTTON HD CAP SCR M8-1.25 X 20
87	P0513087	PLATE
88	PFS07M	FLANGE SCREW M5-.8 X 10
89	P0513089	GUIDE KEY
90	PK15M	KEY 5 X 5 X 35
91	PB81M	HEX BOLT M8-1.25 X 20 LH
92	P0514X092	MOTOR PULLEY
93	PVA42	V-BELT A42
94	PCAP04M	CAP SCREW M6-1 X 10
95	P0514X095	LOWER WHEEL COVER
96	PCAP01M	CAP SCREW M6-1 X 16
97	PWF08M	FENDER WASHER 8MM
98	P0514X2098	BRAKE LEVER
99	P0514X2099	BRAKE PAD
100	P0514X2100	BUSHING
101	PCAP31M	CAP SCREW M8-1.25 X 25
102	PCAP06M	CAP SCREW M6-1 X 25
103	PLW03M	LOCK WASHER 6MM
104	P0514X2104	BUSHING
105	P0514X2105	BRAKE PEDAL PAD
106	P0514X2106	EXTENSION SPRING
107	PN04M	HEX NUT M4-.7
108	PHTEK4M	TAP SCREW M4 X 8
109	P0514X2109	CORD CLAMP 5/8"
110V2	P0514X2110V2	BRAKE SWITCH CORD V2.05.11
112	PS51M	PHLP HD SCR M4-.7 X 30
113	P0514X2113	BRAKE SWITCH KL7141
114	P0514X2114	CORD CONDUIT 1/2" X 43-5/16"
115	P0514X2115	STRAIN RELIEF



G0514X2 & G0514X3 Main Parts List

REF	PART #	DESCRIPTION
119	PLW04M	LOCK WASHER 8MM
137	PCAP02M	CAP SCREW M6-1 X 20
163	PFS07M	FLANGE SCREW M5-.8 X 10
165	P0514X165	CONTROL CORD 16G 3W
166	P0514X166	MOTOR CORD 14G 3W
166	P0514X3166	MOTOR CORD 14G 4W

REF	PART #	DESCRIPTION
168	P0514X168	CORD CLAMP
169	PFS12M	FLANGE SCREW M5-.8 X 12
173	P0514X2173	STRAIN RELIEF 9 X 10MM
174	P0514X2174	SET BOLT M7-1 X 10 NYLON
175	P0514X2175	SPACER NYLON
182	P0514X182	POWER CORD 14AWG 3C 6-15 (G0514X2)

G0514X3 Power Connection Junction Box

REF	PART #	DESCRIPTION
155	PFS09M	FLANGE SCREW M5-.8 X 50
156	P0514X156	TERMINAL BOX
162	PS38M	PHLP HD SCR M4-.7 X 10

REF	PART #	DESCRIPTION
167V2	P0514X167V2	GROUNDING WIRE 90MM V2.05.11
170	PTLW02M	EXT TOOTH WASHER 5MM
171	P0514X171	WIRE NUT P3

G0514X2 220V Motor

REF	PART #	DESCRIPTION
82	P0514X2082	MOTOR 3HP 220V 1PH 60HZ
82-1	P0514X2082-1	MOTOR FAN COVER
82-2	P0514X2082-2	MOTOR FAN
82-3	P0514X2082-3	START CAPACITOR COVER
82-4V2	P0514X2082-4V2	S CAPACITOR 300M 250V V2.05.11
82-5	P0514X2082-5	R CAPACITOR COVER

REF	PART #	DESCRIPTION
82-6V2	P0514X2082-6V2	R CAPACITOR 60M 300V V2.05.11
82-7	P0514X2082-7	MOTOR JUNCTION BOX
82-9	P0514X2082-9	CENTRIFUGAL SWITCH W/ CONTACT PLATE
82-10	P0514X2082-10	FRONT MOTOR BEARING
82-11	P0514X2082-11	REAR MOTOR BEARING

G0514X3 220V Motor

REF	PART #	DESCRIPTION
82V2	P0514X3082	MOTOR 3HP 220/440V 3PH 60HZ
82V2-1	P0514X3082V2-1	MOTOR FAN COVER
82V2-2	P0514X3082V2-2	MOTOR FAN

REF	PART #	DESCRIPTION
82V2-7	P0514X3082V2-7	MOTOR JUNCTION BOX
82V2-10	P0514X3082V2-10	FRONT MOTOR BEARING
82V2-11	P0514X3082V2-11	REAR MOTOR BEARING

G0514X2 220V Magnetic Switch

REF	PART #	DESCRIPTION
161	P0514X161	MAG SWITCH ASSY 3HP 1PH 220V
161-1	P0514X2161-1	MAG SWITCH BACK COVER
161-2	P0514X2161-2	CONTACTOR SDE MA-18

REF	PART #	DESCRIPTION
161-3	P0514X2161-3	OL RELAY SDE RA-20 12-18A
161-4	P0514X2161-4	MAG SWITCH FRONT COVER

G0514X3 220V Magnetic Switch

REF	PART #	DESCRIPTION
161	P0514X3161	MAG SWITCH ASSY 220V
161-1	P0514X3161-1	SWITCH BACK COVER 220V
161-2	P0514X3161-2	CONTACTOR SDE MA-09 220V

REF	PART #	DESCRIPTION
161-3	P0514X3161-3	OL RELAY SDE RA-20 8-12A
161-4	P0514X3161-4	SWITCH FRONT COVER 220V

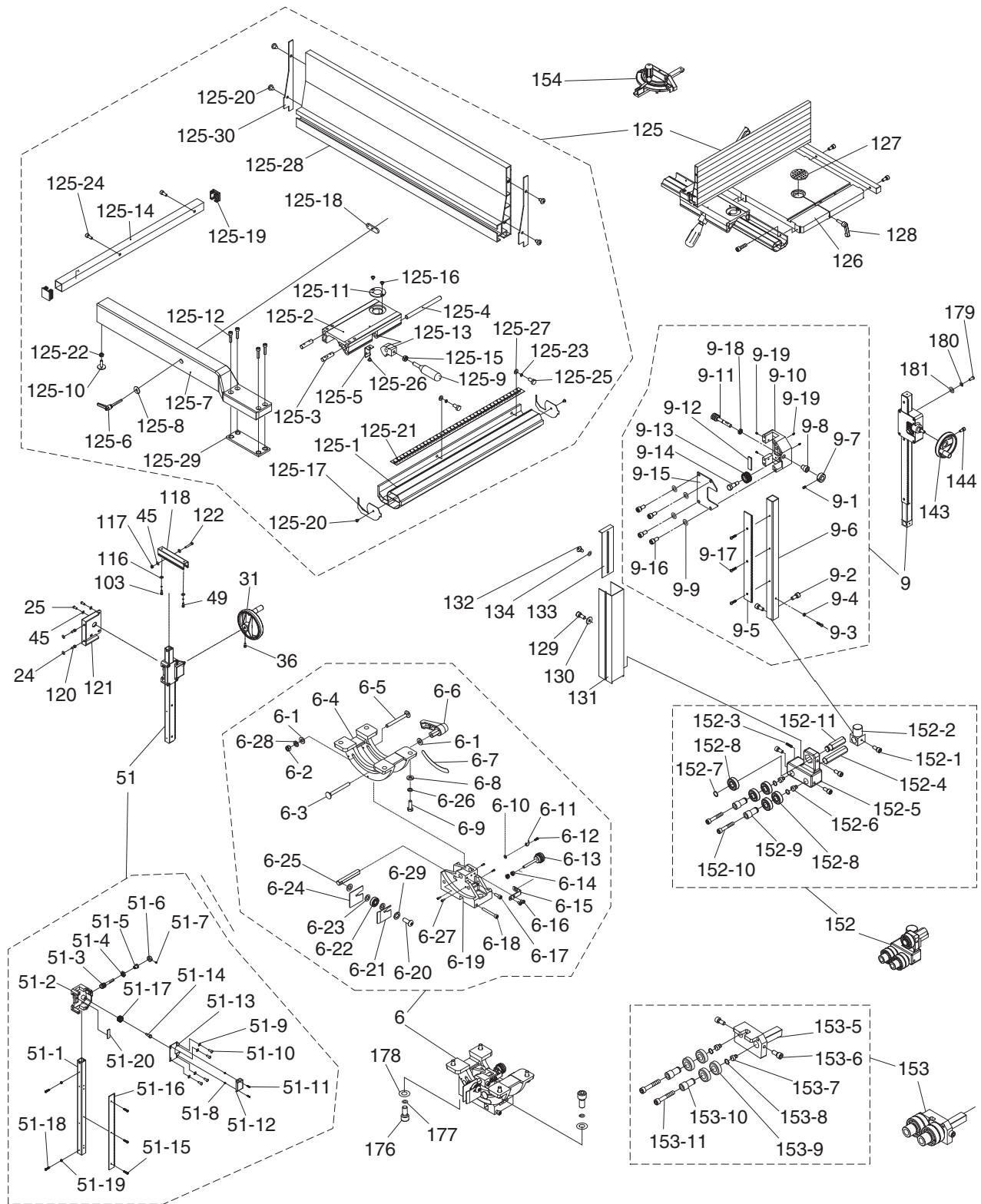
G0514X3 440V Magnetic Switch

REF	PART #	DESCRIPTION
161AV2	P0514X3161AV2	MAG SWITCH ASSY 440V V2.05.11
161AV2-1	P0514X3161AV2-1	MAG SWITCH BACK COVER
161AV2-2	P0514X3161AV2-2	CONTACTOR SDE MA-09 440V

REF	PART #	DESCRIPTION
161AV2-3	P0514X3161AV2-3	OL RELAY SDE RA-20 5-8A
161AV2-4	P0514X3161AV2-4	MAG SWITCH FRONT COVER



G0514X2 & G0514X3 Fence & Guides



G0514X2 & G0514X3 Fence & Guides Parts List

REF	PART #	DESCRIPTION
6	P0514X2006	TRUNNION ASSEMBLY
6-1	PWF08M	FENDER WASHER 8MM
6-2	PLN04M	LOCK NUT M8-1.25
6-3	PCB10M	CARRIAGE BOLT M8-1.25 X 85
6-4	P0513X2162	TRUNNION
6-5	PCB23M	CARRIAGE BOLT M8-1.25 X 80
6-6	P0513118	LOCK HANDLE
6-7	P0513X2165	ANGLE SCALE
6-8	PW01M	FLAT WASHER 8MM
6-9	PB07M	HEX BOLT M8-1.25 X 25
6-10	PW05M	FLAT WASHER 4MM
6-11	P0513120	TILT POINTER
6-12	PS17M	PHLP HD SCR M4-.7 X 6
6-13	P0513109	ADJUSTMENT KNOB BOLT M6-1
6-14	PN01M	HEX NUT M6-1
6-15	P0513X2174	L-BRACKET
6-16	PFH39M	FLAT HD SCR M5-.8 X 16
6-17	PCAP01M	CAP SCREW M6-1 X 16
6-18	PCAP37M	CAP SCREW M6-1 X 50
6-19	P0513X2178	TRUNNION SUPPORT BRACKET
6-20	PBHS19M	BUTTON HD CAP SCR M10-1.5 X 30
6-21	P0513X2181	RIGHT CLAMP PLATE
6-22	P6000ZZ	BALL BEARING 6000ZZ
6-23	PW04M	FLAT WASHER 10MM
6-24	P0513X2184	LEFT CLAMP PLATE
6-25	P0513X2185	ADJUSTMENT BLOCK
6-26	PLW04M	LOCK WASHER 8MM
6-27	PCAP97M	CAP SCREW M5-.8 X 6
6-28	PLW04M	LOCK WASHER 8MM
6-29	PLW06M	LOCK WASHER 10MM
9	P0514X2009	UPPER GUIDE POST ASSEMBLY
9-1	PSS07M	SET SCREW M5-.8 X 5
9-2	PCAP01M	CAP SCREW M6-1 X 16
9-3	PS38M	PHLP HD SCR M4-.7 X 10
9-4	PN04M	HEX NUT M4-.7
9-5	P0514X2009-5	RACK
9-6	P0513X146	GUIDE POST
9-7	P0514X145	LOCK COLLAR
9-8	P0513X130	BUSHING
9-9	PLW04M	LOCK WASHER 8MM
9-10	P0513X133	GUIDE POST BRACKET
9-11	P0513X134	WORM SHAFT
9-12	P0513X135	FIXED PLATE
9-13	P0513X122	GEAR 15T
9-14	P0514X2009-14	GEAR STEP BOLT
9-15	P0514X077	COVER PLATE
9-16	PCAP11M	CAP SCREW M8-1.25 X 16
9-17	PFH31M	FLAT HD SCR M4-.7 X 8

REF	PART #	DESCRIPTION
9-18	PN05M	HEX NUT M16-1.5
9-19	P0514X2009-19	GUIDE BRACKET PLASTIC SET SCREW
24	PLW04M	LOCK WASHER 8MM
25	PCAP14M	CAP SCREW M8-1.25 X 20
31	P0514X2031	TABLE TILT HANDWHEEL
36	PCAP06M	CAP SCREW M6-1 X 25
45	PWF08M	FENDER WASHER 8MM
49	PCAP26M	CAP SCREW M6-1 X 12
51	P0514X2051	TABLE TILT BRACKET ASSEMBLY
51-1	P0566243	SQUARE TUBE
51-2	P0566213	GUIDE BRACKET
51-3	P0566225	WORM SHAFT
51-4	PN05M	HEX NUT M16-1.5
51-5	P0566230	BUSHING
51-6	P0566231	LOCK COLLAR 22 X 10 X 10MM
51-7	PSS07M	SET SCREW M5-.8 X 5
51-8	PN06M	HEX NUT M5-.8
51-9	PLW04M	LOCK WASHER 8MM
51-10	PCAP11M	CAP SCREW M8-1.25 X 16
51-11	PFS07M	FLANGE SCREW M5-.8 X 10
51-12	P0566187	PINION GEAR COVER
51-13	P0566192	BRACKET COVER
51-14	P0566239	PINION GEAR STEP BOLT
51-15	PFH31M	FLAT HD SCR M4-.7 X 8
51-16	P0566242	RACK
51-17	P0566246	PINION GEAR 15T
51-18	PS38M	PHLP HD SCR M4-.7 X 10
51-19	PN04M	HEX NUT M4-.7
51-20	P0514X2051-20	FIXED PLATE
103	PLW03M	LOCK WASHER 6MM
116	PW03M	FLAT WASHER 6MM
117	PLN04M	LOCK NUT M8-1.25
118	P0514X2118	SLIDING PLATE
120	PB09M	HEX BOLT M8-1.25 X 20
121	P0514X2121	TRUNNION PLATE
122	PCAP60M	CAP SCREW M8-1.25 X 55
125	P0514X125	FENCE SET ASSEMBLY
125-1	PH7589001	FRONT RAIL 720MM
125-2	PH7587002	FENCE BASE
125-3	PH7587003	ALIGNMENT ROD
125-4	PH7587004	LOCK ROD
125-5	PH7587005	LOCK PLATE
125-6	PH7528004	LOCK HANDLE M8-1.25 X 44
125-7	PH7589007	FENCE 640MM
125-8	PW01M	FLAT WASHER 8MM
125-9	PH7587009	LOCK LEVER
125-10	PH7587010	REAR FENCE STANDOFF
125-11	PH7587011	SCALE WINDOW



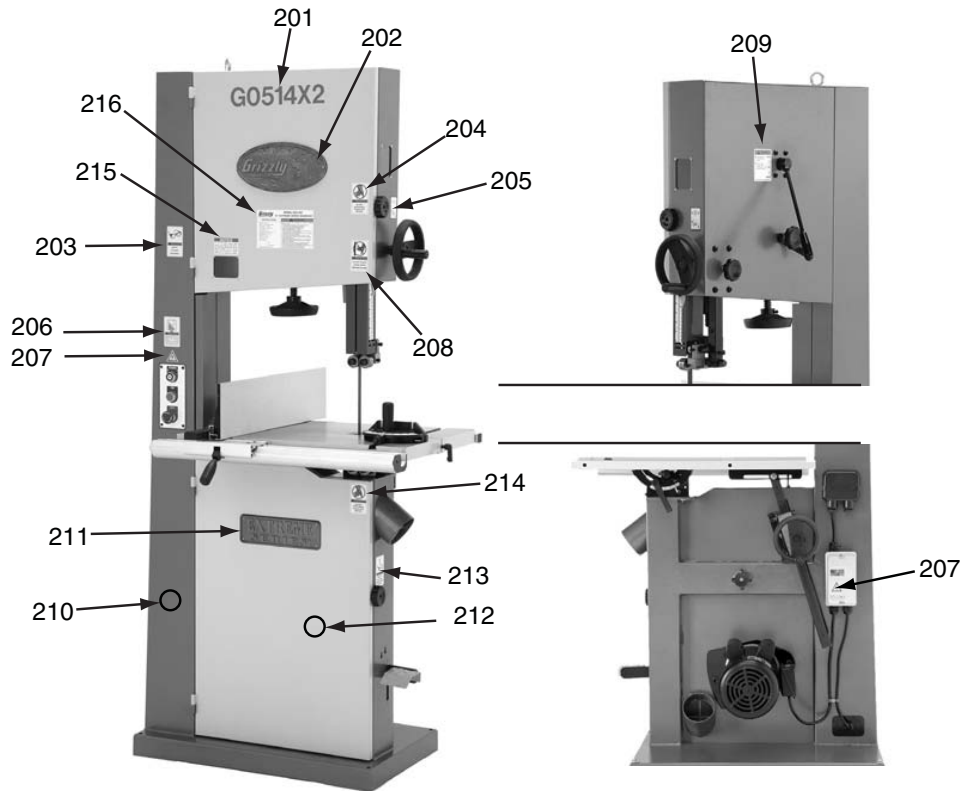
G0514X2 & G0514X3 Fence & Guides Parts List

REF	PART #	DESCRIPTION
125-12	PCAP06M	CAP SCREW M6-1 X 25
125-13	PH7587013	LOCK WEDGE
125-14	PH7589014	REAR RAIL 710MM
125-15	PN03M	HEX NUT M8-1.25
125-16	PFS04M	FLANGE SCREW M4-.7 X 6
125-17	PH7587017	FRONT RAIL END PLATE
125-18	PH7528002	GUIDE PLATE
125-19	PH7587019	REAR RAIL END PLUG
125-20	PHTEK3M	TAP SCREW M3.5 X 8
125-21	PH7588021	SCALE 21-1/2"
125-22	PN01M	HEX NUT M6-1
125-23	PLW03M	LOCK WASHER 6MM
125-24	PCAP01M	CAP SCREW M6-1 X 16
125-25	PB08M	HEX BOLT M6-1 X 20
125-26	PFB13M	FLANGE BOLT M4-.7 X 8
125-27	PW03M	FLAT WASHER 6MM
125-28	PH7589028	RESAW FENCE 640MM ALUMINUM
125-29	PH7587029	FENCE BASE PLATE
125-30	P0514X2B171-3	RESAW FENCE END PLATE
126	P0514X2126	TABLE 27 X 19"
127	P0513X127	TABLE INSERT
128	P0513X128	TABLE PIN
129	PCAP50M	CAP SCREW M5-.8 X 10
130	PW02M	FLAT WASHER 5MM
131	P0514X131	GUIDE POST COVER
132	P0514X2132	STEP SCREW
133	P0513X140	SLIDING COVER
134	P0513X141	FIBER FLAT WASHER
143	P0513X146	GUIDE POST HANDWHEEL

REF	PART #	DESCRIPTION
144	PCAP02M	CAP SCREW M6-1 X 20
152	P0514X152	UPPER BLADE GUIDE ASSEMBLY
152-1	PCAP01M	CAP SCREW M6-1 X 16
152-2	P0513X150-2	GUIDE POST CONNECTOR
152-3	PSS01M	SET SCREW M6-1 X 10
152-4	P0513X150-4	BRACKET ROD
152-5	P0513X150-5	UPPER BLADE GUIDE BRACKET
152-6	P0513X150-6	BIAS SHAFT
152-7	PR05M	EXT RETAINING RING 15MM
152-8	P6202ZZ	BALL BEARING 6202ZZ
152-9	P0513X150-9	BEARING BUSHING
152-10	PCAP48M	CAP SCREW M6-1 X 35
152-11	P0513X150-11	ADJUSTMENT ROD
153	P0514X153	LOWER BLADE GUIDE ASSEMBLY
153-5	P0513X151-5	GUIDE BRACKET CONNECTOR
153-6	PCAP01M	CAP SCREW M6-1 X 16
153-7	P0513X151-7	BIAS SHAFT
153-8	PR05M	EXT RETAINING RING 15MM
153-9	P6202ZZ	BALL BEARING 6202ZZ
153-10	P0513X151-10	BEARING BUSHING
153-11	PCAP48M	CAP SCREW M6-1 X 35
154	P0513X152	MITER GAUGE ASSEMBLY
176	PCAP84M	CAP SCREW M10-1.5 X 35
177	PLW06M	LOCK WASHER 10MM
178	PW04M	FLAT WASHER 10MM
179	PBHS20M	BUTTON HD CAP SCR M8-1.25 X 30
180	PLW04M	LOCK WASHER 8MM
181	PW01M	FLAT WASHER 8MM



G0514X2 & G0514X3 Labels



REF	PART #	DESCRIPTION
201	P0514X2201	MODEL NUMBER LABEL (G0514X2)
201	P0514X3201	MODEL NUMBER LABEL (G0514X3)
202	G8589	GRIZZLY NAMEPLATE LARGE
203	PLABEL-11	SAFETY GLASSES LABEL
204	PLABEL-20	OPEN DOOR HAZARD LABEL
205	P0513X205	SCALE DIRECTIONS LABEL
206	PLABEL-12	READ MANUAL LABEL
207	PLABEL-14	ELECTRICITY LABEL
208	PLABEL-19	BLADE HAZARD LABEL

REF	PART #	DESCRIPTION
209	PLABEL-21	BLADE MOVING/ADJUSTING LABEL
210	PPAINT-1	GRIZZLY GREEN TOUCH-UP PAINT
211	H7942	EXTREME SERIES NAMEPLATE
212	PPAINT-11	GRIZZLY PUTTY TOUCH-UP PAINT
213	PLABEL-18	DISCONNECT BANDSAW LABEL
214	PLABEL-20	OPEN DOOR HAZARD LABEL
215	P0513X214	BLADE TENSION LABEL
216	P0514X2216	MACHINE ID LABEL (G0514X2)
216	P0514X3216	MACHINE ID LABEL (G0514X3)

⚠️ WARNING

Safety labels warn about machine hazards and ways to prevent injury. The owner of this machine **MUST** maintain the original location and readability of the labels on the machine. If any label is removed or becomes unreadable, **REPLACE** that label before using the machine again. Contact Grizzly at (800) 523-4777 or www.grizzly.com to order new labels.

