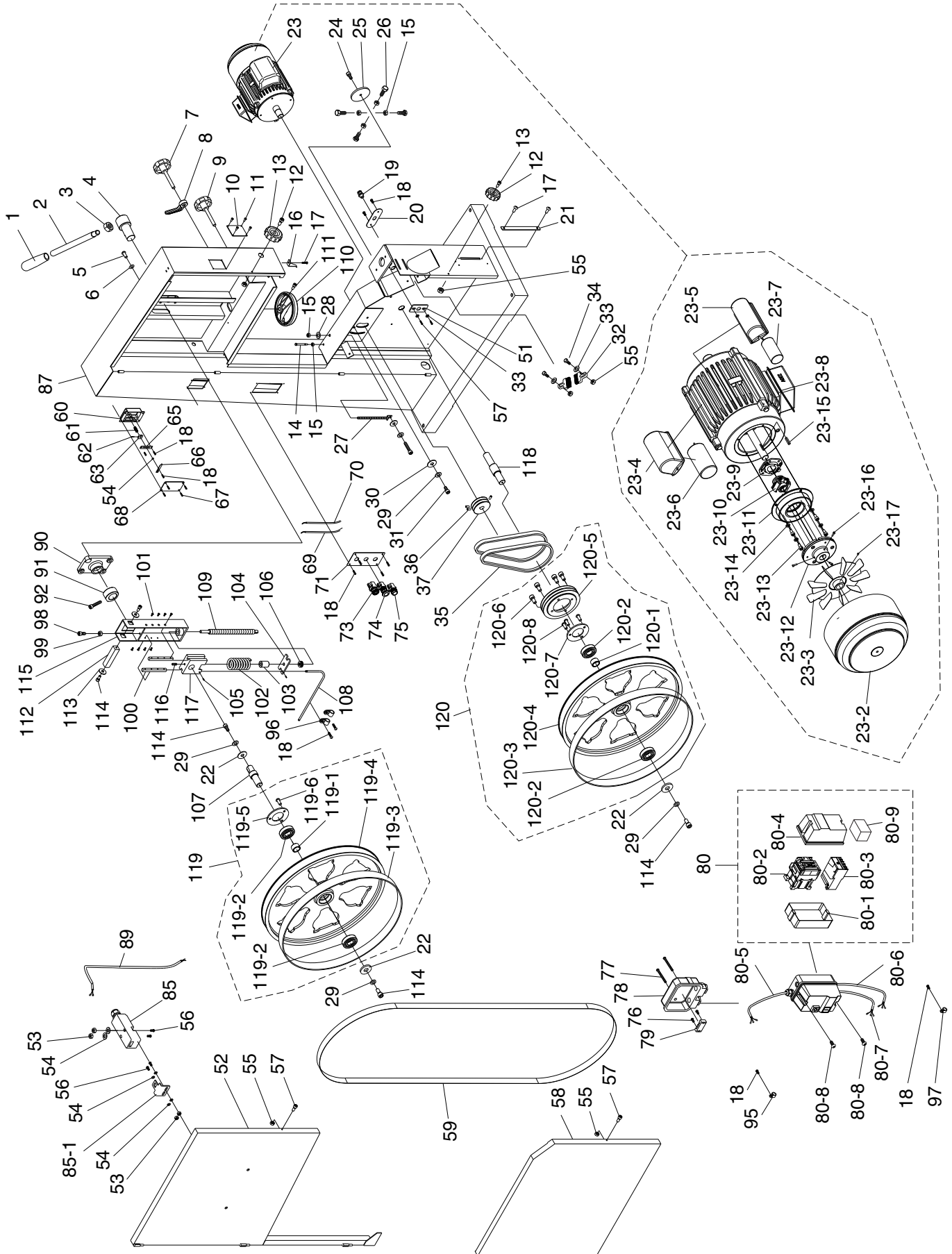


Main Breakdown



Main Parts List

REF	PART #	DESCRIPTION
1	P0566001	HANDLE KNOB M16-1.5
2	P0566002	HANDLE SHAFT
3	PN05M	NUT M16-1.5
4	P0566004	ECCENTRIC SHAFT
5	PSBS25M	BUTTON HD CAP SCR M10-1.5 X 20
6	PLW06M	LOCK WASHER 10MM
7	P0566007	KNOB SCREW M10-1.5 X 25
8	P0566008	LOCK HANDLE M10-1.5
9	P0566009	KNOB SCREW M10-1.5 X 25
10	P0566010	TRANSLUCENT PIECE
11	P0566011	RIVET 3.2 X 10
12	P0566012	LATCHING KNOB 6MM
13	PSB02M	CAP SCREW M6-1 X 20
14	PB73M	HEX BOLT M10-1.5 X 50
15	PN02M	HEX NUT M10-1.5
16	P0566016	HEIGHT POINTER
17	PFS07M	FLANGE SCREW M5-.8 X 10
18	PHTEK4M	TAP SCREW M4 X 8
19	P0566019	STRAIN RELIEF M20
20	P0566020	PLATE
21	P0566B021	STEP COVER
22	PW01M	FLAT WASHER 8MM
23	P0531B023	MOTOR W/BRAKE 5HP 220V 1PH (G0531B)
23	P0566B023	MOTOR W/BRAKE 3HP 220V 1PH (G0566B)
23-2	P0531B023-2	MOTOR FAN COVER (G0531B)
23-2	P0566B023-2	MOTOR FAN COVER (G0566B)
23-3	P0566023-3	MOTOR FAN
23-4	P0566023-4	R. CAPACITOR COVER
23-5	P0566023-5	S. CAPACITOR COVER
23-6	P0531B023-6	R. CAPACITOR 45M 450VAC (G0531B)
23-6	P0566B023-6	R. CAPACITOR 60M 400V (G0566B)
23-7	P0531B023-7	S. CAPACITOR 300MFD 250V (G0531B)
23-7	P0566B023-7	S. CAPACITOR 200M 250V (G0566B)
23-8	P0566B023-8	JUNCTION BOX
23-9	P0566B023-9	CENTRIFUGAL SWITCH PLATE
23-10	P0566B023-10	CENTRIFUGAL SWITCH
23-11	P0566B023-11	MAGNETIC BRAKE
23-12	P0566B023-12	BRAKE SHOE
23-13	PSB26M	CAP SCREW M6-1 X 12
23-14	PLW03M	LOCK WASHER 6MM
23-15	PK23M	KEY 5 X 5 X 25
23-16	PSB24M	CAP SCREW M5-.8 X 16
23-17	PSS02M	SET SCREW M6-1 X 6
24	PSBS23M	BUTTON HD CAP SCR M8-1.25 X 25
25	P0566025	COVER
26	PB14M	HEX BOLT M10-1.5 X 35
27	P0566B027	ADJUST BOLT
28	PW04M	FLAT WASHER 10MM
29	PLW04M	LOCK WASHER 8MM
30	PW01M	FLAT WASHER 8MM
31	PSB31M	CAP SCREW M8-1.25 X 25
32	P0566B032	BRUSH
33	PW03M	FLAT WASHER 6MM
34	PSB06M	CAP SCREW M6-1 X 25
35	PVA30	V-BELT A-30 4L300

REF	PART #	DESCRIPTION
36	PSS04M	SET SCREW M6-1 X 12
37	P0566037	BUSHING
51	P0566290A	SUPPORT
52	P0566052	UPPER WHEEL COVER
53	PN04M	HEX NUT M4-.7
54	PW05M	FLAT WASHER 4MM
55	PLN03M	LOCK NUT M6-1
56	PS38M	PHLP HD SCR M4-.7 X 10
57	PSB04M	CAP SCREW M6-1 X 10
58	P0566058	LOWER WHEEL COVER
59	P0566059	SAW BLADE 4190 X 25.4 X 0.9MM
60	P0566060	UPPER WHEEL SLIDING BRACKET
61	P0566061	SPRING
62	PRP61M	ROLL PIN 3 X 12
63	P0566063	MOVING PLATE
65	P0566065	FIX PLATE
66	P0566066	TENSION POINTER
67	PHTEK6M	TAP SCREW M4 X 16
68	P0566068	TENSION SCALE
69	P0566069	CONNECTING CORD
70	P0566070	SWITCH CORD
71	P0566071	SWITCH PLATE
73	P0566073	KEY SWITCH 22MM
74	P0566074	STOP SWITCH 22MM
75	P0566075	START SWITCH 22MM
76	PS52M	PHLP HD SCR M4-.7 X 20
77	PFS09M	FLANGE SCREW M5-.8 X 50
78	P0566078	TERMINAL BOX
79	P0566079	TERMINAL BLOCK
80	P0531B080	MAG SWITCH MPE-18 22A (G0531B)
80	P0566B080	MAG SWITCH MPE-18 15A (G0566B)
80-1	P0566B080-1	MAG SWITCH BACK COVER
80-2	P0566B080-2	CONTACTOR SDE MA-18 220V
80-3	P0531B080-3	RELAY SDE RA-20 (18-26) (G0531B)
80-3	P0566B080-3	RELAY SDE RA-20 (12-18) (G0566B)
80-4	P0566B080-4	MAG SWITCH FRONT COVER
80-5	P0513X2B019-5	POWER CORD 14AWG X 3C
80-6	P0513X2B019-6	CORD 0.75MM X 5
80-7	P0513X2B019-7	MOTOR CORD 14AWG X 5C
80-8	PFS07M	FLANGE SCREW M5-.8 X 10
80-9	P0513X2B019-9	RECTIFIER (PU-23-2)
85	P0566085	DOOR LATCH SWITCH ADZ-S11
85-1	P0566B085-1	DOOR LATCH SWITCH PLATE
87	P0566B087	MACHINE BODY
89	P0566089	SWITCH CORD
90	P0566090	GUIDE BLOCK
91	P0566092	CAM
92	PSB31M	CAP SCREW M8-1.25 X 25
95	P0566B095	CORD CLAMP 1/2"
96	P0566B096	CORD CLAMP 5/16"
97	P0566B097	CORD CLAMP 3/8"
98	PSB05M	CAP SCREW M8-1.25 X 50
99	PN03M	HEX NUT M8-1.25
100	P0566100	LOCATE PLATE



REF	PART #	DESCRIPTION
101	PFH39M	FLAT HD SCR M5-.8 X 16
102	P0566102	SPRING
103	P0566103	BUSHING
104	P0566104	PRESS BLOCK
105	PSS07M	SET SCREW M5-.8 X 5
106	P51201	THRUST BEARING 51201
107	PSS07M	UPPER WHEEL SHAFT
108	P0566108	TENSION LINE
109	P0566109	ADJUSTING BOLT
110	P0566110	HANDWHEEL
111	PSB06M	CAP SCREW M6-1 X 25
112	P0566112	SQUARE SHAFT
113	PW01M	FLAT WASHER 8MM
114	PSB14M	CAP SCREW M8-1 X 20
115	P0566115	UPPER WHEEL HINGE ASSY
116	PSS75M	SET SCREW M10-1.5 X 16
117	P0566117	GUIDE BLOCK

REF	PART #	DESCRIPTION
118	P0566118	LOWER WHEEL SHAFT
119	P0566B119	UPPER WHEEL ASSEMBLY
119-1	P0566121	BUSHING
119-2	P6205	BALL BEARING 6205ZZ
119-3	P0566B119-3	UPPER TIRE
119-4	P0566122	UPPER WHEEL 21"
119-5	P0566B119-5	PLATE
119-6	P0566B119-6	SPECIAL SCREW
120	P0566B120	LOWER WHEEL ASSEMBLY
120-1	P0566B120-1	BUSHING
120-2	P6205	BALL BEARING 6205ZZ
120-3	P0566B120-3	LOWER TIRE
120-4	P0566130	LOWER WHEEL 21"
120-5	P0566133	PULLEY
120-6	PSBS22M	BUTTON HD CAP SCR M8-1.25 X 20
120-7	P0566B120-7	PLATE
120-8	P0566B120-8	SPECIAL SCREW



Table-Fence-Trunnion Breakdown

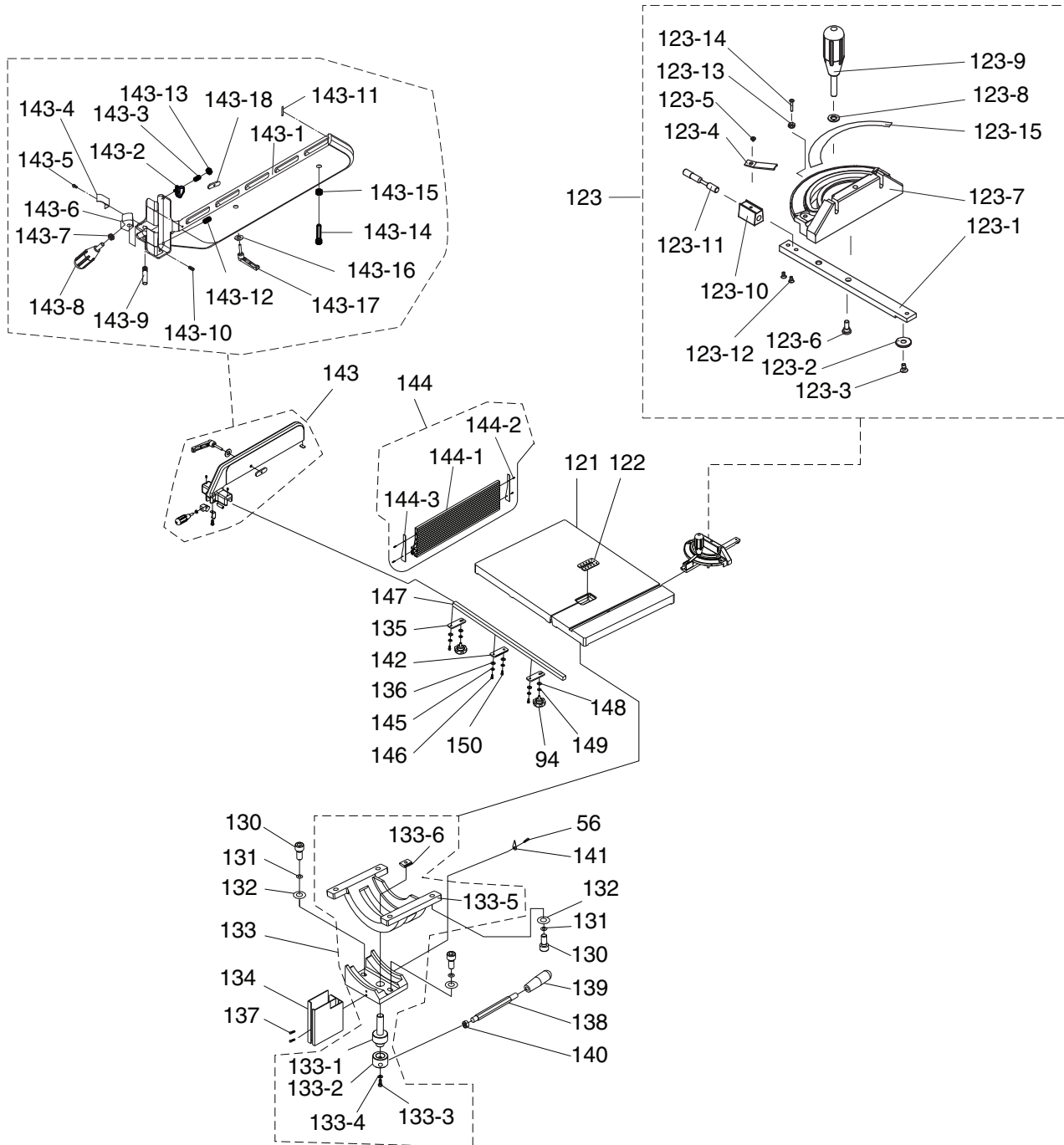


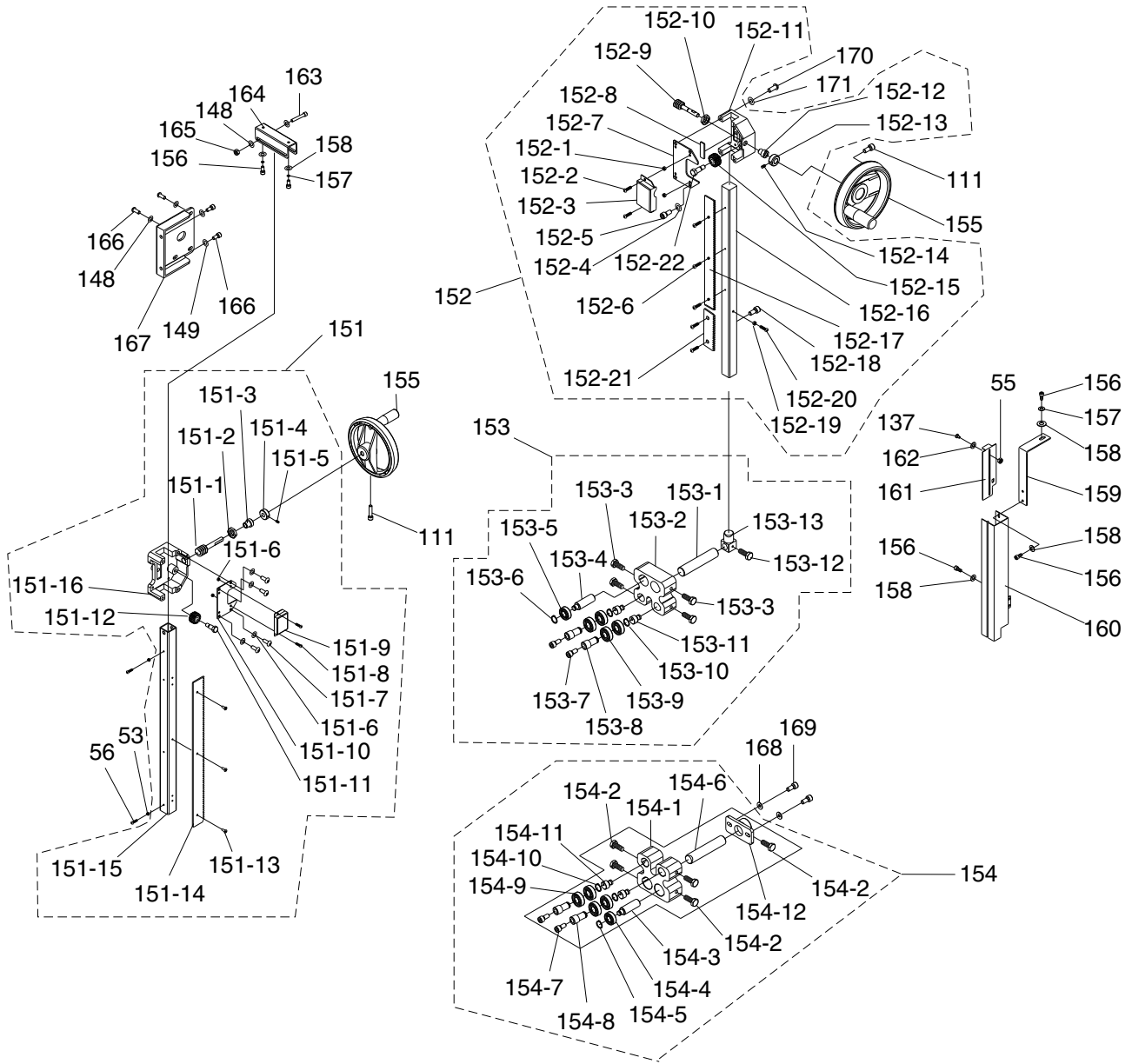
Table-Fence-Trunnion Parts List

REF	PART #	DESCRIPTION
56	PS38M	PHLP HD SCR M4-.7 X 10
94	P0566B094	KNOB M8-1.25 X 20
121	P0566B121	TABLE
122	P0566B122	TABLE INSERT
123	P0513X152	MITER GAUGE ASSEMBLY
123-1	P0513X2B152-1	GUIDE BAR
123-2	P0513X2B152-2	GUIDE PIECE
123-3	PFH04M	FLAT HD SCR M6-1 X 8
123-4	P0513X2B152-4	POINTER
123-5	PS06	PHLP HD SCR 10-24 X 3/8
123-6	P0513X2B152-6	SHOULDER SCREW
123-7	P0513X2B152-7	MITER GAUGE BODY
123-8	PW01M	FLAT WASHER 8MM
123-9	P0513X2B152-9	HANDLE
123-10	P0513X2B152-10	FIXED BLOCK
123-11	P0513X2B152-11	LOCKING SHAFT
123-12	PS06	PHLP HD SCR 10-24 X 3/8
123-13	PN04M	HEX NUT M4-.7
123-14	PS56M	PHLP HD SCR M4-.7 X 16
123-15	P0513X2B152-15	SCALE
130	PSB84M	CAP SCREW M10-1.5 X 35
131	PLW06M	LOCK WASHER 10MM
132	PW04M	FLAT WASHER 10MM
133	P0566B133	TRUNNION BRACKET ASSEMBLY
133-1	P0566168	PRESS SHAFT
133-2	P0566169	MICRO ADJUSTING RING
133-3	PSB14M	CAP SCREW M8-1.25 X 20
133-4	PLW04M	LOCK WASHER 8MM
133-5	P0566177	TRUNNION BLOCK
133-6	P0566178	PRESS BLOCK
134	P0566B134	BLADE GUARD
135	P0513X2B154	OUTER RAIL PLATE
136	PW03M	FLAT WASHER 6MM
137	PFB09M	FLANGE BOLT M6-1 X 10

REF	PART #	DESCRIPTION
138	P0566139	HANDLE BAR
139	PSW03-1	KNOB
140	PN09M	HEX NUT M12-1.75
141	P0566B141	POINTER
142	P0513X2B162	INNER RAIL PLATE
143	P0513X2B157	FENCE ASSSEMBLY
143-1	P0513X2B157-1	FENCE
143-2	P0513X2B157-2	POINTER
143-3	PSS09M	SET SCREW M8-1.25 X 20
143-4	P0513X2B157-4	SPRING PIECE
143-5	PFS17M	FLANGE SCREW M4-.7 X 8
143-6	P0513X2B157-6	PIVOT BLOCK
143-7	PN03M	HEX NUT M8-1.25
143-8	P0513X2B157-8	HANDLE
143-9	P0513X2B157-9	SHAFT
143-10	P0513X2B157-10	SPECIAL PLASTIC SET SCREW
143-11	P0513X2B157-11	NYLON PAD
143-12	PSS14M	SET SCREW M8-1.25 X 12
143-13	PN03M	HEX NUT M8-1.25
143-14	PB30M	HEX BOLT M8-1.25 X 55
143-15	PN03M	HEX NUT M8-1.25
143-16	PW01M	FLAT WASHER 8MM
143-17	P0513X2B157-17	LOCK HANDLE M8-1.25 X 44
143-18	P0513X2B157-18	MOVING PLATE
144	P0513X2B156	RESAW FENCE ASSEMBLY
144-1	P0513X2B156-1	RESAW FENCE (AL) L=590
144-2	P0513X2B156-2	TAP SCREW 3.5 X 8
144-3	P0513X2B156-3	FENCE PIECE 148 X 22 X 1
145	PLW03M	LOCK WASHER 6MM
146	PSB02M	CAP SCREW M6-1 X 20
147	P0566B147	GUARD RAIL
148	PW01M	FLAT WASHER 8MM
149	PLW04M	LOCK WASHER 8MM
150	PSB14M	CAP SCREW M8-1.25 X 20



Guides Breakdown



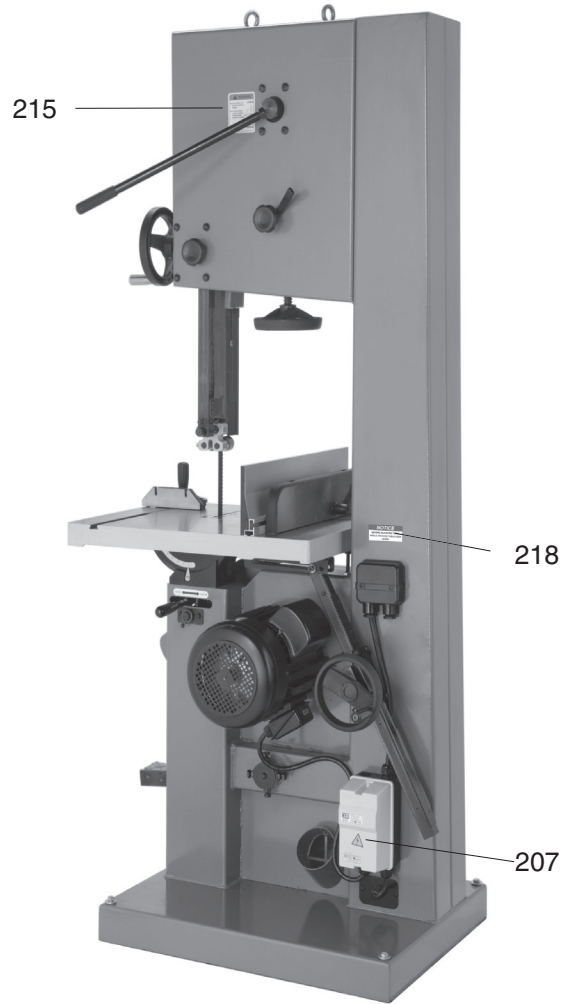
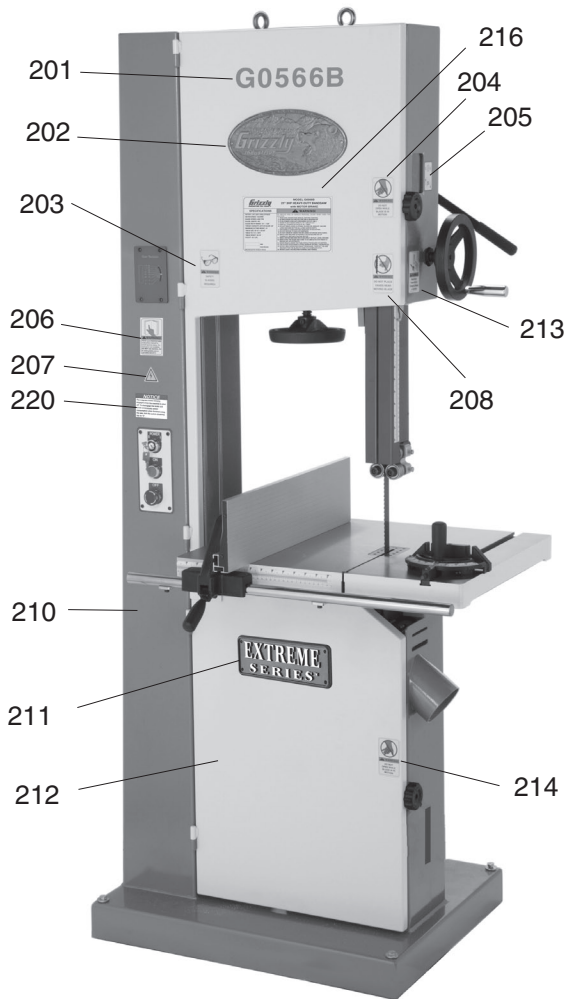
Guides Parts List

REF	PART #	DESCRIPTION
53	PN04M	HEX NUT M4-.7
55	PLN03M	LOCK NUT M6-1
56	PS38M	PHLP HD SCR M4-.7 X 10
111	PSB06M	CAP SCREW M6-1 X 25
137	PFB09M	FLANGE BOLT M6-1 X 10
148	PW01M	FLAT WASHER 8MM
149	PLW04M	LOCK WASHER 8MM
151	P0566B151	GUIDE BRACKET ASSEMBLY
151-1	P0566225	WORM CYLINDER
151-2	PN05M	HEX NUT M16-1.5
151-3	P0566230	BUSHING
151-4	P0566231	SWITCH BUSHING
151-5	PSS07M	SET SCREW M5-.8 X 5
151-6	PLW04M	LOCK WASHER 8MM
151-7	PSB11M	CAP SCREW M8-1.25 X 16
151-8	PFS07M	FLANGE SCREW M5-.8 X 10
151-9	P0566237	COVER
151-10	P0566238	COVER
151-11	P0566239	SPECIAL BOLT
151-12	P0566246	PINION GEAR
151-13	PFH19M	FLAT HD SCR M4-.7 X 10
151-14	P0566242	RACK
151-15	P0566243	SQUARE TUBE
151-16	P0566213	GUIDE BRACKET
152	P0566B152	UPPER GUIDE ASSEMBLY
152-1	PN06M	HEX NUT M5-.8
152-2	PFS07M	FLANGE SCREW M5-.8 X 10
152-3	P0566187	COVER
152-4	PLW04M	LOCK WASHER 8MM
152-5	PSB11M	CAP SCREW M8-1.25 X 16
152-6	PFH19M	FLAT HD SCR M4-.7 X 10
152-7	P0566192	COVER
152-8	P0566195	FIXED PLATE
152-9	P0566196	WORM CYLINDER
152-10	PN05M	HEX NUT M16-1.5
152-11	P0566198	GUIDE BRACKET
152-12	P0566201	BUSHING
152-13	P0566202	SWITCH BUSHING
152-14	PSS07M	SET SCREW M5-.8 X 5
152-15	P0566194	PINION GEAR
152-16	P0566206	UPPER GUIDE BAR
152-17	P0566207	RACK
152-18	PSB01M	CAP SCREW M6-1 X 16
152-19	PN04M	HEX NUT M4-.7
152-20	PS38M	PHLP HD SCR M4-.7 X 10
152-21	P0566191	EXTENSION RACK

REF	PART #	DESCRIPTION
152-22	P0566B152-22	FIXED BOLT
153	P0566B153	UPPER BLADE GUIDE ASSEMBLY
153-1	P0566259A	ADJUST BAR
153-2	P0566260A	BLADE GUIDE SUPPORT
153-3	PB04M	HEX BOLT M6-1 X 10
153-4	P0566262A	UPPER SPACING SLEEVE
153-5	P6201	BALL BEARING 6201ZZ
153-6	PR03M	EXT RETAINING RING 12MM
153-7	PSB29M	CAP SCREW M6-1 X 40
153-8	P0566274	HANDLE BUSHING
153-9	P6202	BALL BEARING 6202ZZ
153-10	PR05M	EXT RETAINING RING 15MM
153-11	P0566277A	ECCENTRIC SHAFT
153-12	PB04M	HEX BOLT M6-1 X 10
153-13	P0566211A	UPPER GUIDE SUPPORT BLOCK
154	P0566155	FENCE
154-1	P0566260A	BLADE GUIDE SUPPORT
154-2	PSB04M	CAP SCREW M6-1 X 10
154-3	P0566262A	UPPER SPACING SLEEVE
154-4	P6201	BALL BEARING 6201ZZ
154-5	PR03M	EXT RETAINING RING 12MM
154-6	P0566267A	ADJUSTING SHAFT
154-7	PB47M	HEX BOLT M6-1 X 40
154-8	P0566274	HANDLE BUSHING
154-9	P6202	BALL BEARING 6202ZZ
154-10	PR05M	EXT RETAINING RING 15MM
154-11	P0566277A	ECCENTRIC SHAFT
154-12	P0566279A	SUPPORT BRACKET
155	P0566204	HANDWHEEL
156	PSB04M	CAP SCREW M6-1 X 10
157	PLW03M	LOCK WASHER 6MM
158	PW03M	FLAT WASHER 6MM
159	P0566250	SUPPORT PLATE
160	P0566B160	PROTECT COVER ASSEMBLY
161	P0566B161	SLIDING PLATE
162	P0566B162	FIBER WASHER
163	PB30M	HEX BOLT M8-1.25 X 55
164	P0566B164	SLIDING PLATE
165	PLN04M	LOCK NUT M8-1.25
166	PSB14M	CAP SCREW M8-1.25 X 20
167	P0566B167	SUPPORT PLATE
168	PW03M	FLAT WASHER 6MM
169	PSB26M	CAP SCREW M6-1 X 12
170	PSB40M	CAP SCREW M8-1.25 X 35
171	PW01M	FLAT WASHER 8MM



Labels Breakdown



REF	PART #	DESCRIPTION
201	P0531B201	G0531B MODEL # LABEL
201	P0566B201	G0566B MODEL # LABEL
202	G8589	GRIZZLY LOGO PLATE
203	PLABEL-11	SAFETY GLASSES LABEL
204	PLABEL-20	OPEN DOOR LABEL
205	P0513X204	GUARD ADJ LABEL
206	PLABEL-12	READ MANUAL LABEL
207	PLABEL-14	ELECTRICITY LABEL
208	PLABEL-19	HANDS/BLADE LABEL
210	PPAINT-1	GRIZZLY GREEN PAINT

REF	PART #	DESCRIPTION
211	P0513X210	EXTREME SERIES PLATE
212	PPAINT-11	PUTTY PAINT
213	PLABEL-18	DISCONNECT POWER LABEL
214	PLABEL-20	OPEN DOOR LABEL
215	P0513X214	TENSION ADJ LABEL
216	P0531B216	G0531B MACHINE ID LABEL
216	P0566B216	G0566B MACHINE ID LABEL
218	P0566313	TABLE LOCK LABEL
220	P0566B220	MAGNETIC BRAKE NOTICE

WARNING

Safety labels warn about machine hazards and ways to prevent injury. The owner of this machine **MUST** maintain the original location and readability of the labels on the machine. If any label is removed or becomes unreadable, **REPLACE** that label before using the machine again. Contact Grizzly at (800) 523-4777 or www.grizzly.com to order new labels.

