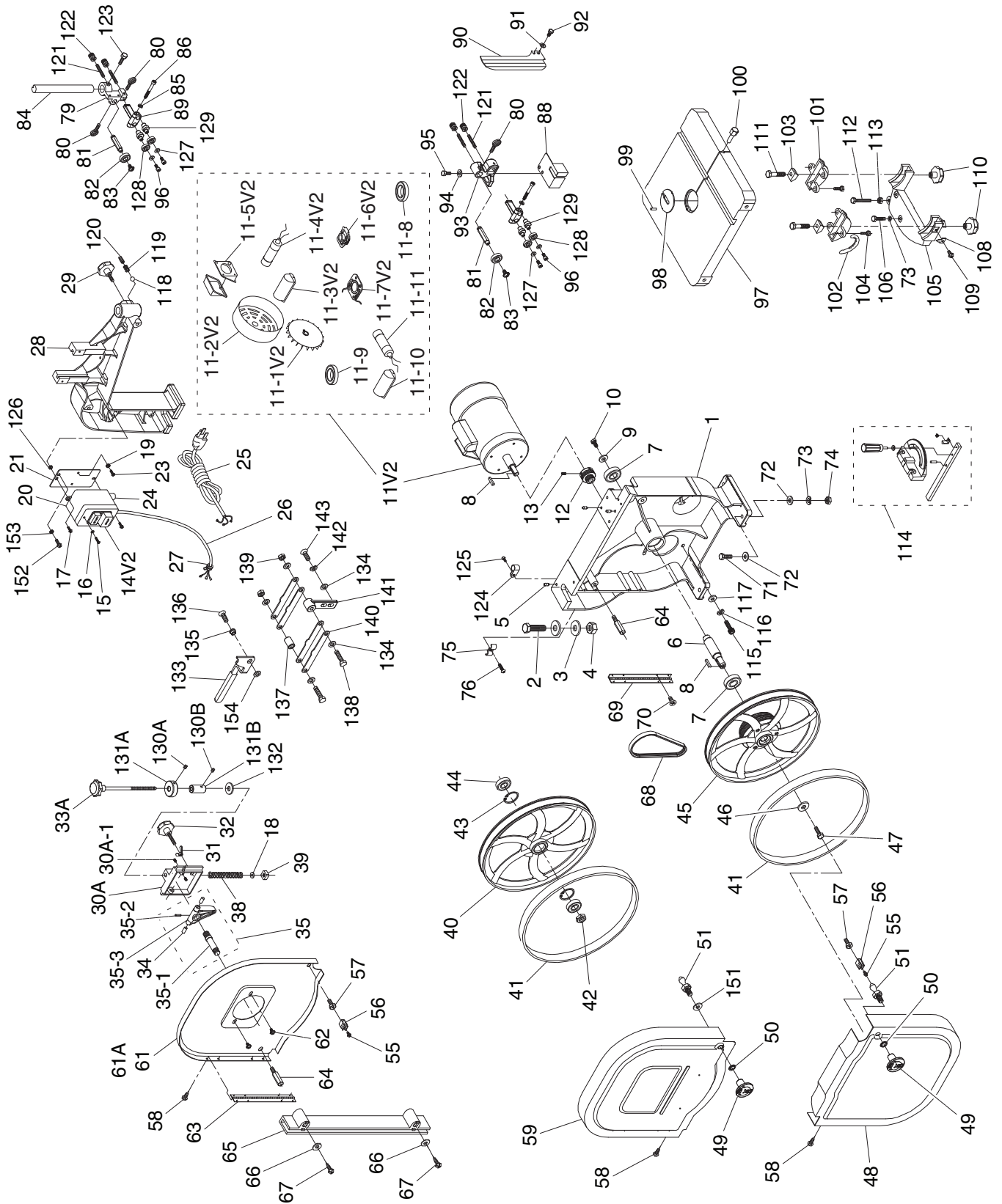


# SECTION 9: PARTS

## Main



# Main Parts List

REF	PART #	DESCRIPTION	REF	PART #	DESCRIPTION
1	P0555001	BASE (G555)	45	P0555045	LOWER WHEEL ASSEMBLY
1	P0555P001	BASE (G0555P)	46	P0555009	SHAFT WASHER 30 X 8 X 3MM
2	PB80M	HEX BOLT M16-2 X 55	47	PB81M	HEX BOLT M8-1.25 X 20 LH
3	PW08M	FLAT WASHER 16MM	48	P0555048	LOWER WHEEL COVER (G0555)
4	PN13M	HEX NUT M16-2	48	P0555P048	LOWER WHEEL COVER (G0555P)
5	P0555005	ALIGNMENT PIN	49	P0555049	KNOB M8-1.25
6	P0555006	LOWER WHEEL SHAFT	50	PTLW03M	INT TOOTH WASHER 8MM
7	P6204LLU	BALL BEARING 6204 LLU	51	P0555051	DOOR LATCH STUD M8-1.25 X 14
8	PK23M	KEY 5 X 5 X 25	55	PS08M	PHLP HD SCR M5-.8 X 12
9	P0555009	SHAFT WASHER 30 X 8 X 3MM	56	P0555056	CATCH
10	PS16M	PHLP HD SCR M8-1.25 X 16	57	P0555057	ALIGNMENT BOLT M5-.8 X 27
11V2	P0555011V2	MOTOR 1HP 110/220V 60HZ V2.05.11	58	PHTEK4M	TAP SCREW M4 X 8
11V2-1	P0555011V2-1	MOTOR FAN	59	P0555059	FRONT UPPER WHEEL COVER (G0555)
11V2-2	P0555011V2-2	MOTOR FAN COVER	59	P0555P059	FRONT UPPER WHEEL COVER (G0555P)
11V2-3	P0555011V2-3	S CAPACITOR COVER	61A	P0555061A	REAR UPPER WHEEL COVER V2.07.07 (G0555)
11V2-4	P0555011V2-4	S CAPACITOR 200M 250V	61	P0555P061	REAR UPPER WHEEL COVER (G0555P)
11V2-5	P0555011V2-5	JUNCTION BOX	62	PFS01M	FLANGE SCREW M5-.8 X 8
11V2-6	P0555011V2-6	CENTRIFUGAL SWITCH	63	P0555063	UPPER WHEEL COVER HINGE
11V2-7	P0555011V2-7	CONTACT PLATE	64	P0555064	WHEEL COVER STANDOFF
11V2-8	P6202ZZ	BALL BEARING 6202ZZ	65	P0555065	LEFT BLADE GUARD
11V2-9	P6205ZZ	BALL BEARING 6205ZZ	66	PW05M	FLAT WASHER 4MM
11V2-10	P0555011V2-10	R CAPACITOR COVER	67	PHTEK2M	TAP SCREW M3.5 X 16
11V2-11	P0555011V2-11	R CAPACITOR 20M 250V	68	P0555068	RIBBED V-BELT 200J5
12	P0555012	MOTOR PULLEY	69	P0555069	LOWER WHEEL COVER HINGE
13	PSS04M	SET SCREW M6-1 X 12	70	PFH07M	FLAT HD SCR M5-.8 X 10
14V2	P0555014V2	ON/OFF SWITCH 110/220V V2.05.11	71	PB20M	HEX BOLT M8-1.25 X 35
15	PHTEK1M	TAP SCREW M3.5 X 12	72	PW01M	FLAT WASHER 8MM
16	PW05M	FLAT WASHER 4MM	73	PLW04M	LOCK WASHER 8MM
17	PS40M	PHLP HD SCR M5-.8 X 16	74	PN03M	HEX NUT M8-1.25
18	P0555018	TENSION INDICATOR	75	P0555075	CORD CLAMP
19	PTLW02M	EXT TOOTH WASHER 5MM	76	PS08M	PHLP HD SCR M5-.8 X 12
20	P0555020	SWITCH BOX	79	P0555079	GUIDE POST BRACKET
21	P0555021	SWITCH BOX MOUNT	80	PTS001M	THUMB SCREW M6-1 X 16
23	PS19M	PHLP HD SCR M5-.8 X 6	81	P0555081	GUIDE SPACING SLEEVE
24	P0555024	STRAIN RELIEF	82	P6000ZZ	BALL BEARING 6000ZZ
25	P0555025	POWER CORD 16G 3C 6FT 5-15	83	PFS06M	FLANGE SCREW M6-1 X 8
26	P0555026	MOTOR CORD	84	P0555084	GUIDE POST
27	P0555027	STRAIN RELIEF	85	PLW01M	LOCK WASHER 5MM
28	P0555028	UPPER FRAME ARM (G0555)	86	PCAP78M	CAP SCREW M5-.8 X 40
28	P0555P028	UPPER FRAME ARM (G0555P)	88	P0555088	LOWER RIGHT BLADE GUARD
29	P0555029	KNOB BOLT M10-1.5 X 30	89	P0555089	UPPER GUIDE BRACKET
30A	P0555030A	UPPER WHEEL SLIDING BRACKET V2.07.07	90	P0555090	UPPER RIGHT BLADE GUARD
30A-1	PSS31M	SET SCREW M5-.8 X 8	91	PW03M	FLAT WASHER 6MM
31	PWN02M	WING NUT M8-1.25	92	PB05M	HEX BOLT M6-1 X 8
32	P0555032	KNOB BOLT M8-1.25 X 45	93	P0555093	LOWER GUIDE BRACKET
33A	P0555033A	BLADE ADJ SCR ASSY 7" THREAD	94	PW03M	FLAT WASHER 6MM
34	P0555034	DOWEL PIN	95	PB08M	HEX BOLT M6-1 X 20
35	P0555035	UPPER WHEEL SHAFT HINGE ASSY	96	PCAP33M	CAP SCREW M5-.8 X 12
35-1	P0555035-1	UPPER WHEEL SHAFT	97	P0555097	TABLE
35-2	PRP14M	ROLL PIN 3 X 6	98	P0555098	TABLE INSERT
35-3	P0555035-3	UPPER WHEEL SHAFT HINGE	99	PRP15M	ROLL PIN 3 X 8
38	P0555038	COMPRESSION SPRING 3.8 X 13.5 X 81	100	P0555100	TABLE PIN
39	PSN04M	SQUARE NUT M10-1.5	101	P0555101	TRUNNION
40	P0555040	UPPER WHEEL	102	P0555102	SCALE
41	T23070	WHEEL TIRE 14"	103	P0555103	TRUNNION CLAMP SHOE
42	PN24M	HEX NUT M12-1.25	104	PB02M	HEX BOLT M6-1 X 12
43	PR21M	INT RETAINING RING 35MM	105	P0555105	TRUNNION SUPPORT BRACKET
44	P6202LLU	BALL BEARING 6202 LLU			



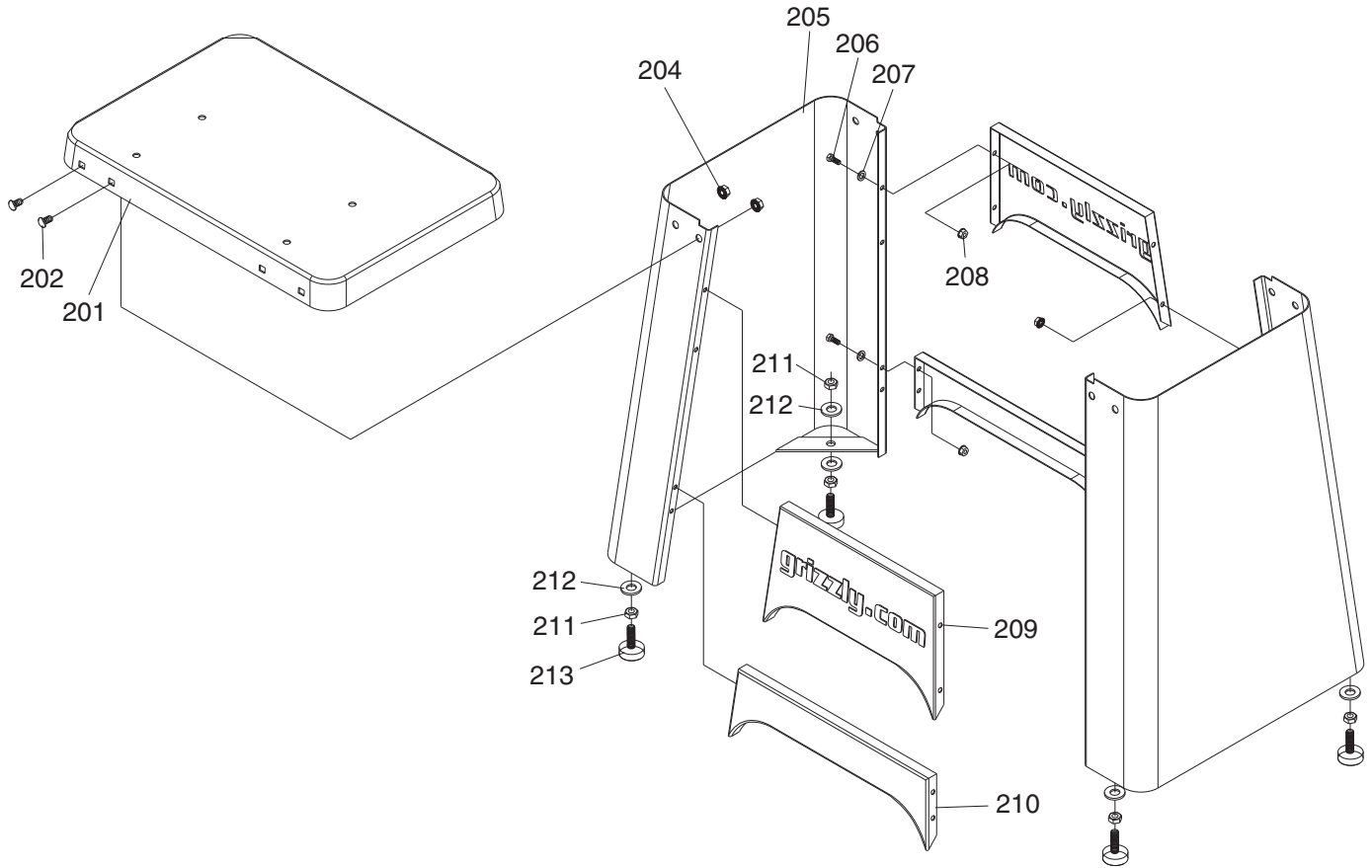
# Main Parts List

REF	PART #	DESCRIPTION
106	PB26M	HEX BOLT M8-1.25 X 30
108	P0555108	POINTER
109	PFS03M	FLANGE SCREW M5-.8 X 6
110	P0555110	KNOB M10-1.5
111	PB73M	HEX BOLT M10-1.5 X 50
112	PB82M	HEX BOLT M8-1.25 X 80
113	PN03M	HEX NUT M8-1.25
114	P0555114	MITER GAUGE ASSEMBLY
115	PCAP31M	CAP SCREW M8-1.25 X 25
116	PLW04M	LOCK WASHER 8MM
117	PW01M	FLAT WASHER 8MM
118	P0555118	STEEL BALL
119	P0555119	COMPRESSION SPRING 1.5 X 5 X 9
120	PSS30M	SET SCREW M10-1.5 X 10
121	PSS98M	SET SCREW M8-1 X 35
122	P0555122	MICRO ADJUSTING NUT 1.65
123	PB08M	HEX BOLT M6-1 X 20
124	P0555124	CORD CLAMP
125	PS08M	PHLP HD SCR M5-.8 X 12
126	PLN01M	LOCK NUT M4-.7
127	PW02M	FLAT WASHER 5MM
128	P608ZZ	BALL BEARING 608ZZ

REF	PART #	DESCRIPTION
129	P0555129	ECCENTRIC SHAFT
130A	PSS31M	SET SCREW M5-.8 X 8
130B	PSS07M	SET SCREW M5-.8 X 5
131A	P0555131A	UPPER LOCK COLLAR
131B	P0555131B	LOWER LOCK COLLAR
132	PW04M	FLAT WASHER 10MM
133	P0555133	QUICK RELEASE LEVER
134	PW01M	FLAT WASHER 8MM
135	P0555135	BUSHING
136	PCAP01M	CAP SCREW M6-1 X 16
137	P0555137	SPACER
138	PB15M	HEX BOLT M8-1.25 X 40
139	PLN04M	LOCK NUT M8-1.25
140	P0555140	SUPPORT PLATE
141	P0555141	PIVOT ARM
142	PLW04M	LOCK WASHER 8MM
143	PB09M	HEX BOLT M8-1.25 X 20
151	PW01M	FLAT WASHER 8MM
152	PS08M	PHLP HD SCR M5-.8 X 12
153	PTLW02M	EXT TOOTH WASHER 5MM
154	P0555154	SPACER 8MM



# Stand

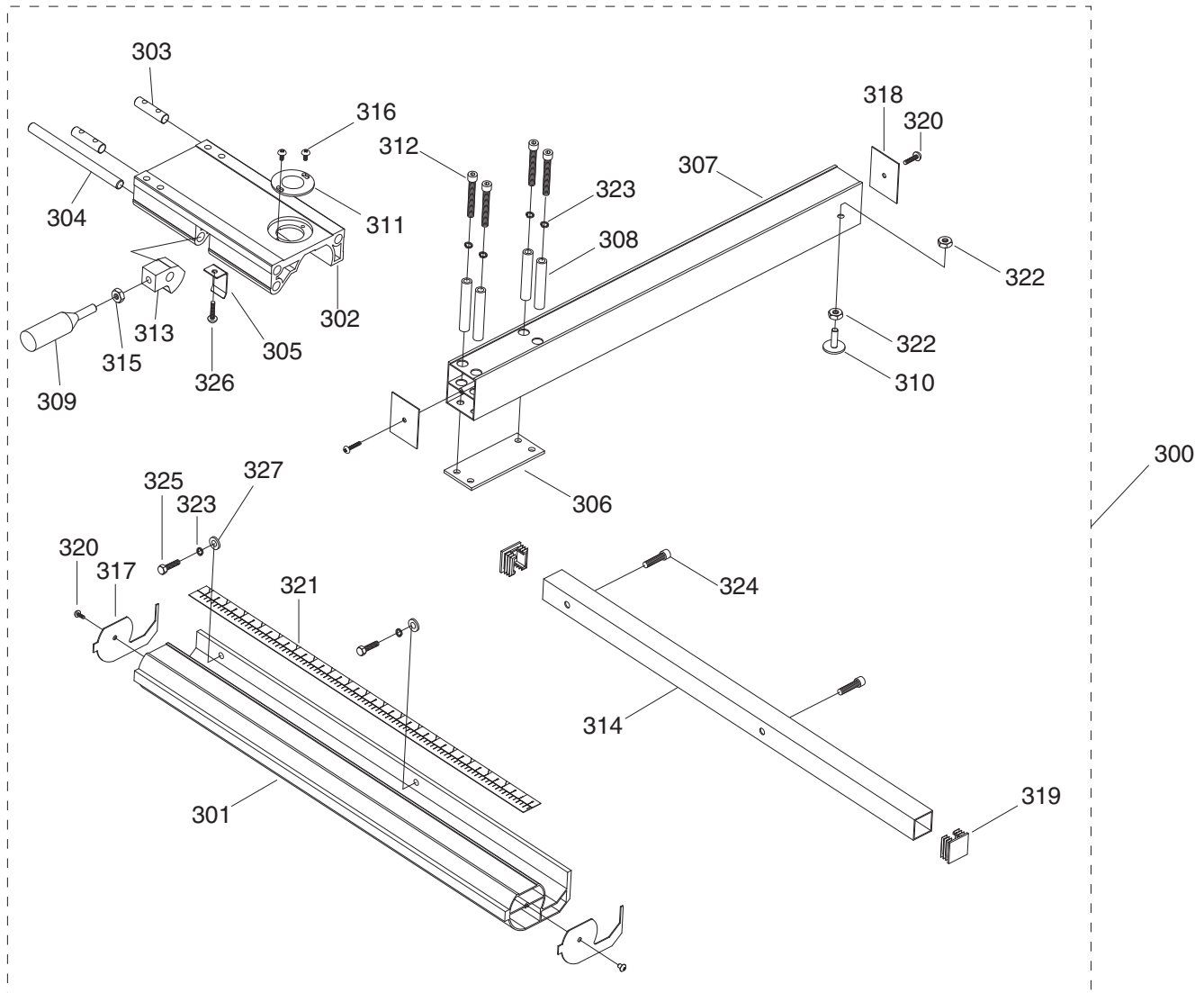


REF	PART #	DESCRIPTION
201	P0555201	STAND TOP (G0555)
201	P0555P201	STAND TOP (G0555P)
202	PCB06M	CARRIAGE BOLT M8-1.25 X 16
204	PFN01M	FLANGE NUT M8-1.25
205	P0555205	STAND SIDE (G0555)
205	P0555P205	STAND SIDE (G0555P)
206	PB83M	HEX BOLT M6-1 X 16
207	PW03M	FLAT WASHER 6MM

REF	PART #	DESCRIPTION
208	PFN02M	FLANGE NUT M6-1
209	P0555209	UPPER STAND BRACE (G0555)
209	P0555P209	UPPER STAND BRACE (G0555P)
210	P0555210	LOWER STAND BRACE (G0555)
210	P0555P210	LOWER STAND BRACE (G0555P)
211	PN08	HEX NUT 3/8-16
212	PW04M	FLAT WASHER 10MM
213	P0555213	STAND FOOT



# Fence

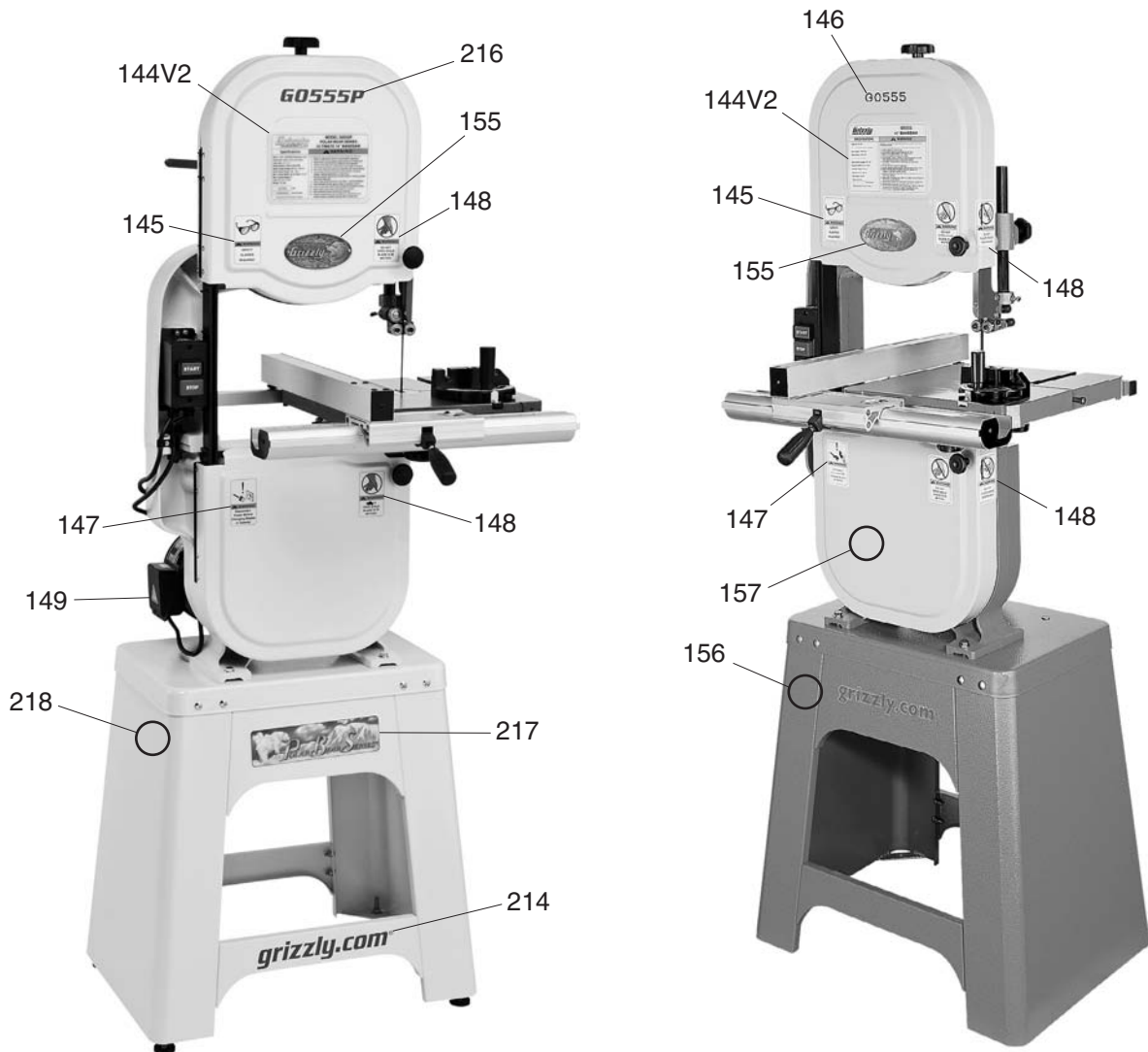


REF	PART #	DESCRIPTION
300	P0555300	FENCE KIT ASSEMBLY W/RAILS
301	P0555301	FRONT FENCE RAIL
302	P0555302	FENCE BASE
303	P0555303	FENCE MOUNT ROD
304	P0555304	LOCK SHAFT
305	P0555305	SPRING PLATE
306	P0555306	SPACER PLATE
307	P0555307	FENCE
308	P0555308	SLEEVE
309	P0555309	LOCK HANDLE
310	P0555310	FENCE STAND-OFF
311	P0555311	SCALE WINDOW
312	PCAP83M	CAP SCREW M6-1 X 55
313	P0555313	LOCK CAM

REF	PART #	DESCRIPTION
314	P0555314	REAR FENCE RAIL
315	PN01M	HEX NUT M6-1
316	PFS04M	FLANGE SCREW M4-.7 X 6
317	P0555317	FRONT RAIL END CAP
318	P0555318	FENCE END CAP
319	P0555319	REAR RAIL END CAP
320	PHTEK3M	TAP SCREW M3.5 X 8
321	P0555321	SCALE
322	PN01M	HEX NUT M6-1
323	PLW03M	LOCK WASHER 6MM
324	PCAP01M	CAP SCREW M6-1 X 16
325	PB08M	HEX BOLT M6-1 X 20
326	PFS05M	FLANGE SCREW M4-.7 X 10
327	PW03M	FLAT WASHER 6MM



# Labels



REF	PART #	DESCRIPTION
144V2	P0555144V2	MACHINE ID LABEL V2.05.11 (G0555)
144V2	P0555P144V2	MACHINE ID LABEL V2.05.11 (G0555P)
145	PLABEL-11	SAFETY GLASSES LABEL
146	P0555146	MODEL NUMBER LABEL (G0555)
147	PLABEL-18	UNPLUG BANDSAW LABEL
148	PLABEL-23	BANDSAW DOOR LABEL
149	PLABEL-14	ELECTRICITY LABEL

REF	PART #	DESCRIPTION
155	G9987	GRIZZLY NAMEPLATE
156	PPAINT-1	GRIZZLY GREEN TOUCH-UP PAINT
157	PPAINT-11	GRIZZLY PUTTY TOUCH-UP PAINT
214	P0555P213	GRIZZLY.COM LABEL
216	P0555P216	MODEL NUMBER LABEL (G0555P)
217	PLABEL-75	POLAR BEAR LOGO
218	PPAINT-24	POLAR BEAR WHITE TOUCH-UP PAINT

## WARNING

Safety labels help reduce the risk of serious injury caused by machine hazards. If any label comes off or becomes unreadable, the owner of this machine **MUST** replace it in the original location before resuming operations. For replacements, contact (800) 523-4777 or [www.grizzly.com](http://www.grizzly.com).

