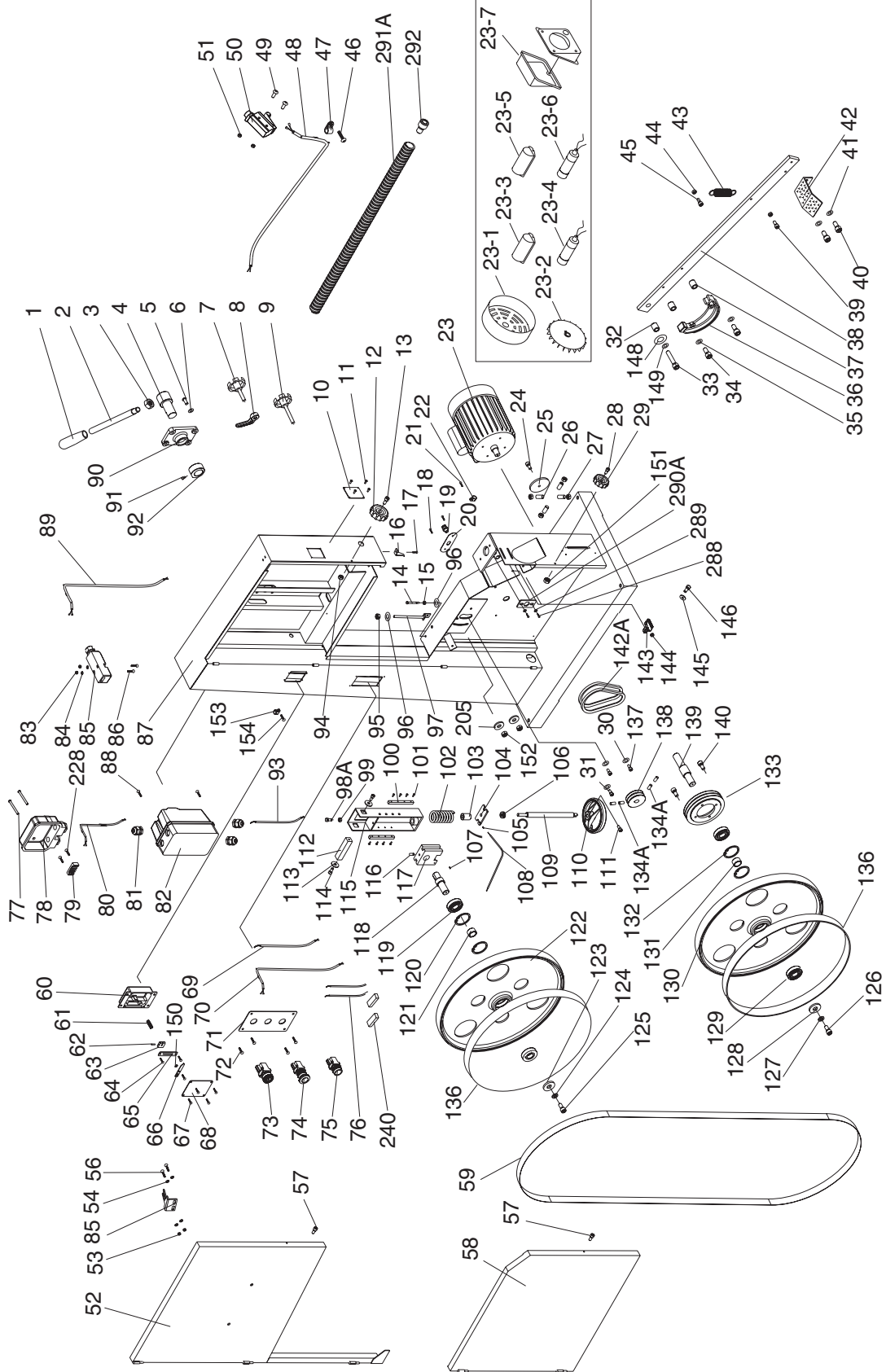
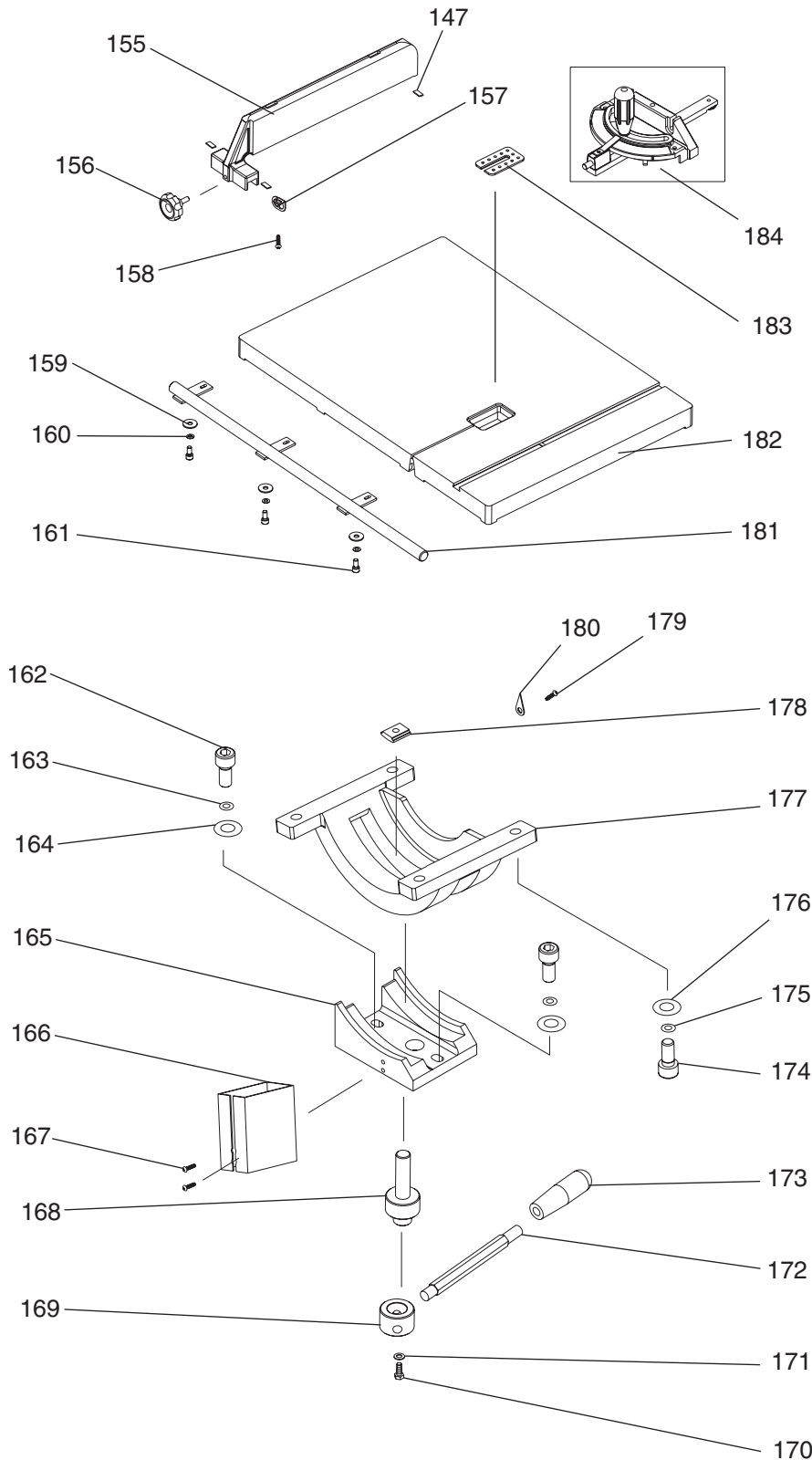


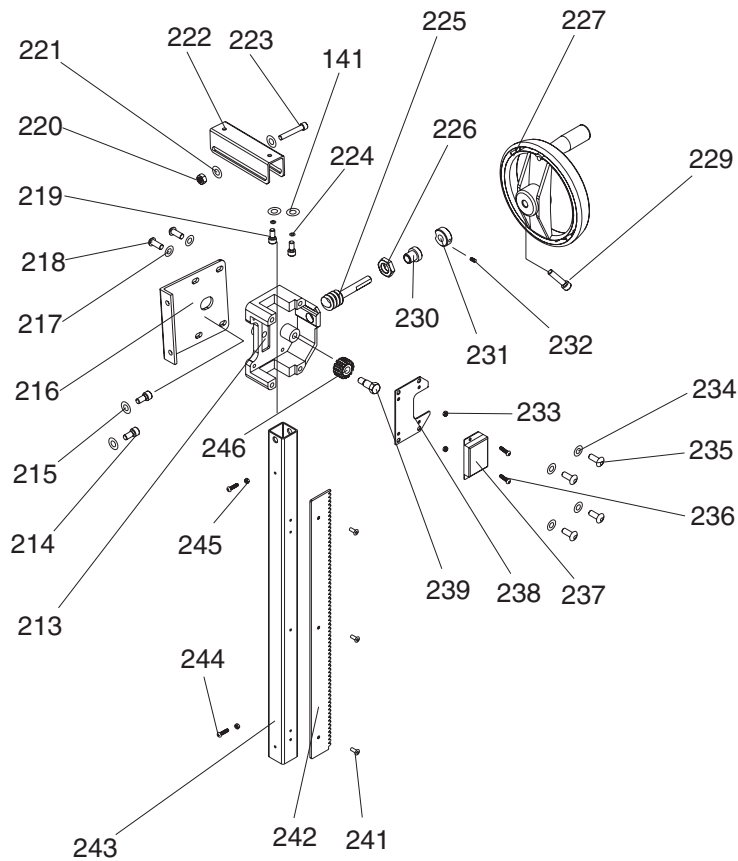
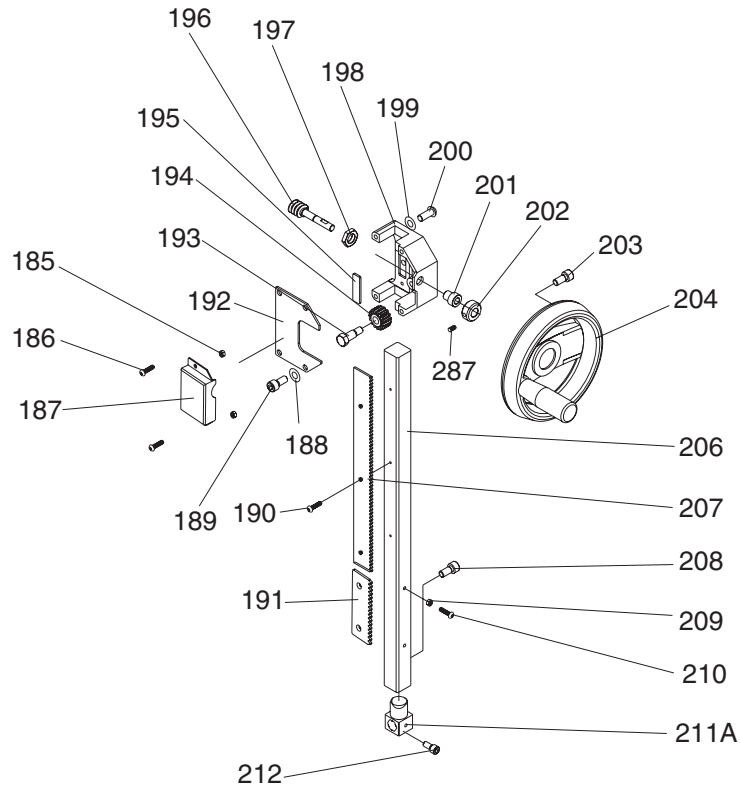
G0566 Parts Breakdown



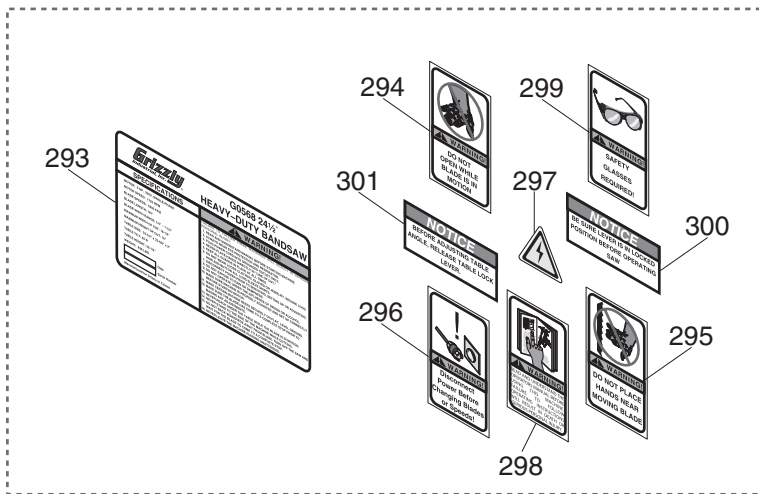
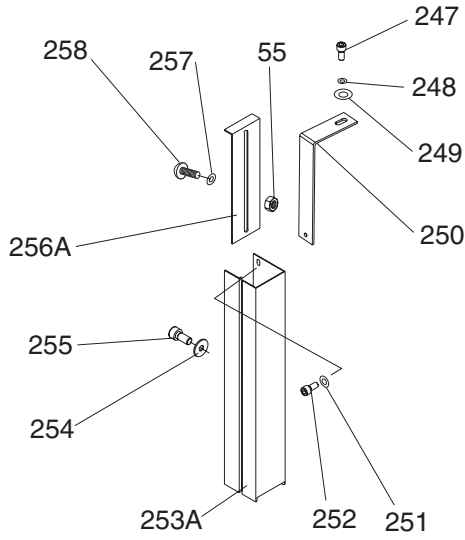
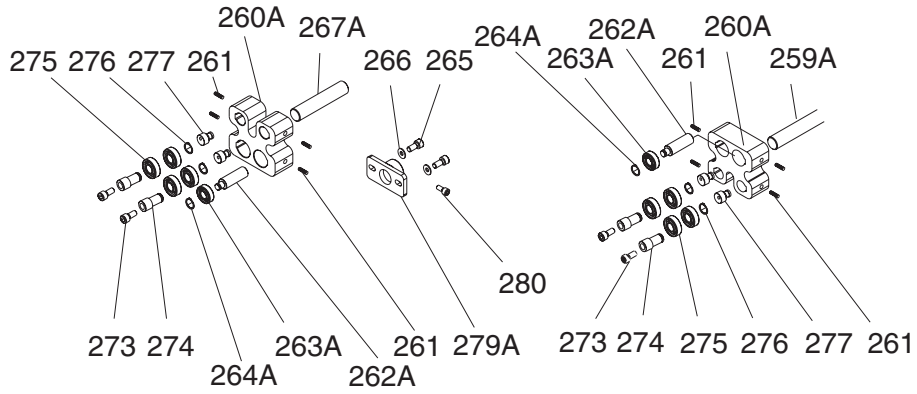
G0566 Parts Breakdown



G0566 Parts Breakdown



G0566 Parts Breakdown



G0566 Parts List

REF	PART #	DESCRIPTION
1	P0566001	HANDLE KNOB M16-1.5
2	P0566002	HANDLE SHAFT
3	PN05M	NUT M16-1.5
4	P0566004	ECCENTRIC SHAFT
5	PSBS03M	BUTTON HD CAP SCR M10-1.5 X 20
6	PLW06M	LOCK WASHER 10MM
7	P0566007	KNOB SCREW M10-1.5 X 25
8	P0566008	LOCK HANDLE M10-1.5
9	P0566009	KNOB SCREW M10-1.5 X 25
10	P0566010	TRANSLUCENT PIECE
11	P0566011	RIVET 3.2 X 10
12	P0566012	LATCHING KNOB 6MM
13	PSB02M	CAP SCREW M6-1 X 20
14	PB73M	HEX BOLT M10-1.5 X 50
15	PN02M	HEX NUT M10-1.5
16	P0566016	HEIGHT POINTER
17	PFS07M	FLANGE SCREW M5-.8 X 10
18	PHTEK4M	TAP SCREW M4 X 8
19	P0566019	STRAIN RELIEF M20
20	P0566020	PLATE
21	PHTEK4M	TAP SCREW M4 X 8
22	P0566022	CORD CLAMP 1/2"
23	P0566023	MOTOR 3HP 220V 1PHASE
23-1	P0566023-1	FAN COVER
23-2	P0566023-2	FAN
23-3	P0566023-3	CAPACITOR COVER
23-4	P0566023-4	START CAPACITOR 250MFD/250V
23-5	P0566023-5	CAPACITOR COVER
23-6	PC20A	CAPACITOR 20MFD/400V
23-7	P0566023-7	WIRING BOX
24	PSBS01M	BUTTON HD CAP SCR M8-1.25 X 20
25	P0566025	COVER
26	PB01M	HEX BOLT M10-1.5 X 30
27	PN02M	HEX NUT M10-1.5
28	PSB02M	CAP SCREW M6-1 X 20
29	P0566029	LATCHING KNOB 6MM
30	PW01M	FLAT WASHER 8MM
31	PSB31M	CAP SCREW M8-1.25 X 25
32	P0566032	BUSHING

REF	PART #	DESCRIPTION
33	PSB31M	CAP SCREW M8-1.25 X 25
34	PSB06M	CAP SCREW M6-1 X 25
35	PLW03M	LOCK WASHER 6MM
36	P0566036	BRAKE PAD
37	P0566037	BUSHING
38	P0566038	BRAKE LEVER
39	PSB01M	CAP SCREW M6-1 X 16
40	PSB01M	CAP SCREW M6-1 X 16
41	PLW03M	LOCK WASHER 6MM
42	P0566042	BRAKE STEP PLATE
43	P0566043	SPRING
44	PN01M	HEX NUT M6-1
45	PSB01M	CAP SCREW M6-1 X 16
46	PHTEK4M	TAP SCREW M4 X 8
47	P0566047	CORD CLAMP 5/8"
48	P0566048	STEP CORD
49	PB41M	HEX BOLT M4-.7 X 30
50	P0566050	LIMIT SWITCH KL7141
51	PN04M	HEX NUT M4-.7
52	P0566052	UPPER WHEEL COVER
53	PN04M	HEX NUT M4-.7
54	PW05M	FLAT WASHER 4MM
55	PLN03M	LOCK NUT M6-1
56	PS38M	PHLP HD SCR M4-.7 X 10
57	PSB04M	CAP SCREW M6-1 X 10
58	P0566058	LOWER WHEEL COVER
59	P0566059	SAW BLADE 4190X25.4X0.9mm
60	P0566060	UPPER WHEEL SLIDING BRACKET
61	P0566061	SPRING
62	PRP61M	PIN 3 X 12
63	P0566063	MOVING PLATE
64	PHTEK15M	TAP SCREW M4 X 10
65	P0566065	FIX PLATE
66	P0566066	TENSION POINTER
67	PHTEK6M	TAP SCREW M4 X 16
68	P0566068	TENSION SCALE
69	P0566069	CONNECTING CORD
70	P0566070	SWITCH CORD
71	P0566071	SWITCH PLATE

G0566 Parts List

REF	PART #	DESCRIPTION
72	PHTEK15M	TAP SCREW M4 X 10
73	P0566073	KEY SWITCH Ø22
74	P0566074	STOP SWITCH Ø22
75	P0566075	START SWITCH Ø22
76	P0566076	CONNECTING CORD
77	PFS09M	FLANGE SCREW M5-.8 X 50
78	P0566078	TERMINAL BOX
79	P0566079	TERMINAL HOUSE
80	P0566080	POWER CORD
81	P0566081	STRAIN RELIEF M20
82	P0566082	MAGNETIC SWITCH MPE-18 22A
83	PN04M	HEX NUT M4-.7
84	PW05M	FLAT WASHER 4MM
85	P0566085	DOOR LATCH SWITCH ADZ-S11
86	PFS10M	FLANGE SCREW M4-.7 X 35
87	P0566087	MACHINE BODY
88	PFS07M	FLANGE SCREW M5-.8 X 10
89	P0566089	SWITCH CORD
90	P0566090	HOUSING PLATE
91	PSB31M	CAP SCREW M8-1.25 X 25
92	P0566092	CAM
93	P0566093	MOTOR CORD
94	PLN03M	LOCK NUT M6-1
95	PN02M	HEX NUT M10-1.5
96	PW04M	FLAT WASHER 10MM
97	P0566097	ADJUST BOLT
98A	PSB60M	CAP SCREW M8-1.25 X 55
99	PN03M	HEX NUT M8-1.25
100	P0566100	LOCATE PLATE
101	PFH39M	FLAT HD SCR M5-.8 X 16
102	P0566102	SPRING
103	P0566103	BUSHING
104	P0566104	PRESS BLOCK
105	PSS07M	SET SCREW M5-.8 X 5
106	P0566106	BEARING 51201
107	PSS07M	SET SCREW M5-.8 X 5
108	P0566108	TENSION LINE
109	P0566109	SHAFT

REF	PART #	DESCRIPTION
110	P0566110	HANDWHEEL
111	PSB06M	CAP SCREW M6-1 X 25
112	P0566112	SQUARE SHAFT
113	PW01M	FLAT WASHER 8MM
114	PSB14M	CAP SCREW M8-1 X 20
115	P0566115	UPPER WHEEL HINGE ASSY
116	PSS75M	SET SCREW M10-1.5 X 16
117	P0566117	GUIDE BLOCK
118	P0566118	UPPER WHEEL SHAFT
119	P6205	BALL BEARING 6205LLU
120	PR26M	INT RETAINING RING 52MM
121	P0566121	BUSHING
122	P0566122	UPPER WHEEL Ø21"
123	PW01M	FLAT WASHER 8MM
124	PLW04M	LOCK WASHER 8MM
125	PSB14M	CAP SCREW M8-1 X 20
126	PSB14M	CAP SCREW M8-1 X 20
127	PLW04M	LOCK WASHER 8MM
128	PW01M	FLAT WASHER 8MM
129	P6205	BALL BEARING 6205LLU
130	P0566130	LOWER WHEEL Ø21"
131	P0566131	BUSHING
132	PR26M	INT RETAINING RING 52MM
133	P0566133	PULLEY
134A	PSS04M	SET SCREW M6-1 X 12
136	P0566136	TIRE
137	PSB14M	CAP SCREW M8-1.25 X 20
138	P0566138	PULLEY
139	P0566139	LOWER SHAFT
140	PSBS01M	BUTTN HD CAP SCR M8-1.25 X 20
141	PW03M	FLAT WASHER 6MM
142A	PVA30	V-BELT A-30 4L300
143	P0566143	BRUSH
144	PLN03M	LOCK NUT M6-1
145	PW03M	FLAT WASHER 6MM
146	PSB02M	CAP SCREW M6-1 X 20
147	P0566147	NYLON PIECE
148	PW01M	FLAT WASHER 8MM

G0566 Parts List

REF PART #	DESCRIPTION
149	PLW04M LOCK WASHER 8MM
150	PW05M FLAT WASHER 4MM
151	PLN03M LOCK NUT M6-1
152	PN03M HEX NUT M8-1.25
153	P0566153 CORD CLAMP 5/16"
154	PHTEK15M TAP SCREW M4 X 10
155	P0566155 FENCE
156	P0566156 KNOB SCREW M10-1.5 X 25
157	P0566157 POINTER
158	PFS01M FLANGE SCREW M5-.8 X 8
159	PW01M FLAT WASHER 8MM
160	PLW04M LOCK WASHER 8MM
161	PB09M HEX BOLT M8-1.25 X 20
162	PSB72M CAP SCREW M10-1.5 X 30
163	PLW06M LOCK WASHER 10MM
164	PW04M FLAT WASHER 10MM
165	P0566165 TRUNNION HOUSING
166	P0566166 BLADE GUARD
167	PFS11M FLANGE SCREW M6 X 10
168	P0566168 PRESS SHAFT
169	P0566169 MICRO ADJUSTING RING
170	PSB14M CAP SCREW M8-1.25 X 20
171	PLW04M LOCK WASHER 8MM
172	P0566172 HANDLE SHAFT
173	P0566173 HANDLE KNOB M12-1.75 (FEMALE)
174	PSB84M CAP SCREW M10-1.5 X 35
175	PLW06M LOCK WASHER 10MM
176	PW04M FLAT WASHER 10MM
177	P0566177 TRUNNION BLOCK
178	P0566178 PRESS BLOCK
179	PS38M PHLP HD SCR M4-.7 X 10
180	P0566180 POINTER
181	P0566181 GUARD RAIL
182	P0566182 TABLE
183	P0566183 TABLE INSERT
184	P0566184 MITER GAUGE ASSY
184-1	P0566184-1 GUIDE
184-2	P0566184-2 GUIDE BAR
184-3	P0566184-3 LOCATE BRACKET

REF PART #	DESCRIPTION
184-4	P0566184-4 LOCATE SHAFT
184-5	P0566184-5 POINTER
184-6	P0566184-6 STEP SCREW
184-7	P0566184-7 HANDLE
184-8	P0566184-8 MITER GAUGE BODY
184-9	PFH9M FLAT HEAD SCR M6-1 X 6
184-10	PS06 PHLP HD SCR 10-24 X 3/8
184-11	PS56M PHLP HD SCR M4-.7 X 16
184-12	PN04M HEX NUT M4-.7
184-13	PW01M FLAT WASHER 8MM
185	PN06M HEX NUT M5-.8
186	PFS07M FLANGE SCREW M5-.8 X 10
187	P0566187 COVER
188	PLW04M LOCK WASHER 8MM
189	PSB11M CAP SCREW M8-1.25 X 16
190	PFH19M FLAT HD SCR M4-.7 X 10
191	P0566191 EXTENSION RACK
192	P0566192 COVER
193	P0566193 FIXED BOLT
194	P0566194 PINION GEAR
195	P0566195 FIXED PLATE
196	P0566196 WORM CYLINDER
197	PN05M HEX NUT M16-1.5
198	P0566198 GUIDE BRACKET
199	PW01M FLAT WASHER 8MM
200	PSBS04M BUTTON HD CAP SCR M8-1.25 X 35
201	P0566201 BUSHING
202	P0566202 SWITCH BUSHING
203	PSB06M CAP SCREW M6-1 X 25
204	P0566204 HANDWHEEL
205	PW01M FLAT WASHER 8MM
206	P0566206 UPPER GUIDE BAR
207	P0566207 RACK
208	PSB01M CAP SCREW M6-1 X 16
209	PN04M HEX NUT M4-.7
210	PS38M PHLP HD SCR M4-.7 X 10
211A	P0566211A UPPER GUIDE SUPPORT BLOCK
212	PB83M HEX BOLT M6-1 X 16
213	P0566213 GUIDE BRACKET

G0566 Parts List

REF	PART #	DESCRIPTION
214	PSB14M	CAP SCREW M8-1.25 X 20
215	PLW04M	LOCK WASHER 8MM
216	P0566216	SUPPORT PLATE
217	PW01M	FLAT WASHER 8MM
218	PSBS01M	BUTTON HD CAP SCR M8-1.25 X 20
219	PSB04M	CAP SCREW M6-1 X 10
220	PLN04M	LOCK NUT M8-1.25
221	PW01M	FLAT WASHER 8MM
222	P0566222	SLIDING PLATE
223	PB30M	HEX BOLT M8-1.25 X 55
224	PLW03M	LOCK WASHER 6MM
225	P0566225	WORM CYLINDER
226	PN05M	HEX NUT M16-1.5
227	P0566227	HANDWHEEL
228	PS52M	PHLP HD SCR M4-.7 X 20
229	PSB06M	CAP SCREW M6-1 X 25
230	P0566230	BUSHING
231	P0566231	SWITCH BUSHING
232	PSS07M	SET SCREW M5-.8 X 5
233	PN06M	HEX NUT M5-.8
234	PLW04M	LOCK WASHER 8MM
235	PSB11M	CAP SCREW M8-1.25 X 16
236	PFS07M	FLANGE SCREW M5-.8 X 10
237	P0566237	COVER
238	P0566238	COVER
239	P0566239	SPECIAL BOLT
240	P0566240	CORD CONNECTOR 224-201
241	PFH19M	FLAT HD SCR M4-.7 X 10
242	P0566242	RACK
243	P0566243	SQUARE TUBE
244	PFS05M	FLANGE SCREW M4-.7 X 10
245	PN04M	HEX NUT M4-.7
246	P0566246	PINION GEAR
247	PSB04M	CAP SCREW M6-1 X 10
248	PLW03M	LOCK WASHER 6MM
249	PW03M	FLAT WASHER 6MM
250	P0566250	SUPPORT PLATE
251	PW03M	FLAT WASHER 6MM
252	PSB04M	CAP SCREW M6-1 X 10

REF	PART #	DESCRIPTION
253A	P0566253A	PROTECT COVER ASSY
254	PW03M	FLAT WASHER 6MM
255	PSB04M	CAP SCREW M6-.1 X 10
256A	P0566256A	SLIDING PLATE
257	P0566257	PLASTIC WASHER 6MM
258	PFS11M	FLANGE SCREW M6-1 X 10
259A	P0566259A	ADJUST BAR
260A	P0566260A	BLADE GUIDE SUPPORT
261	PB83M	HEX BOLT M6-1 X 16
262A	P0566262A	UPPER SPACING SLEEVE
263A	P6201	BALL BEARING 6201ZZ
264A	PR03M	EXT RETAINING RING 12MM
265	PSB01M	CAP SCREW M6-1 X 16
266	PW03M	FLAT WASHER 6MM
267A	P0566267A	ADJUSTING SHAFT
273	PB47M	HEX BOLT M6-1 X 40
274	P0566274	HANDLE BUSHING
275	P6202	BALL BEARING 6202ZZ
276	PR05M	EXT RETAINING RING 15MM
277A	P0566277A	ECCENTRIC SHAFT
279A	P0566279A	SUPPORT BRACKET
280	PB83M	HEX BOLT M6-1 X 16
287	PSS07M	SET SCREW M5-.8 X 5
288	PSB04M	CAP SCREW M6-1 X 10
289	PW03M	FLAT WASHER 6MM
290A	P0566290A	SUPPORT
291A	P0566291A	PROTECT TUBE 1/2"X1100mm(L)
292	P0566292	CORD BUSHING
293	P0566293	MACHINE ID LABEL
294	PLABEL-20	DON'T OPEN LABEL
295	PLABEL-19	HANDS/BS BLADE 2"X3 5/16"H.
296	PLABEL-18	UNPLUG BANDSAW LABEL
297	PLABEL-14	ELECTRICITY LABEL
298	PLABEL-12	READ MANUAL 2"W X 3 5/16"
299	PLABEL-11	SAFETY GLASSES 2" X 3 5/16"
300	P0566300	TENSION LEVER LABEL
301	P0566301	TABLE LOCK LABEL