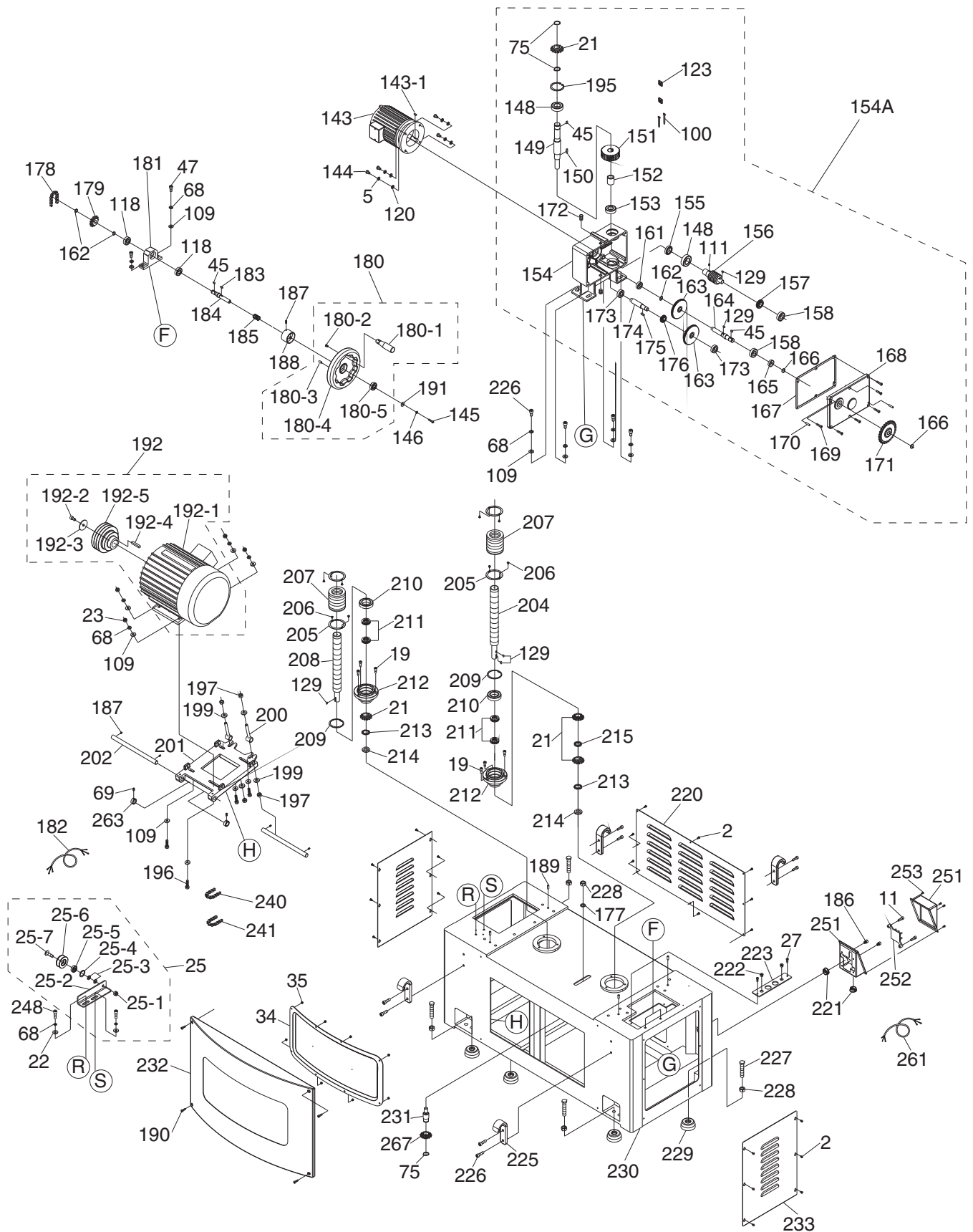


# Base Parts Breakdown



# Base Parts List

REF	PART #	DESCRIPTION
2	PB04M	HEX BOLT M6-1 X 10
5	PLW04M	LOCK WASHER 8MM
11	PSB31M	CAP SCREW M8-1.25 X 25
19	PSB14M	CAP SCREW M8-1.25 X 20
21	P0603X021	SPROCKET
22	PW04M	FLAT WASHER 10MM
23	PN02M	HEX NUT M10-1.5
25	P0603X025	IDLER ASSEMBLY
25-1	PLN05M	LOCK NUT M10-1.5
25-2	P0603X025-2	PLATE
25-3	PW04M	FLAT WASHER 10MM
25-4	PR35M	INT RETAINING RING 30MM
25-5	P6200	BALL BEARING 6200ZZ
25-6	P0603X025-6	IDLER
25-7	PB14M	HEX BOLT M10-1.5 X 35
27	PSB01M	CAP SCREW M6-1 X 16
34	P0603X034	FRONT COVER
35	PN06M	HEX NUT M5-.8
45	PK10M	KEY 5 X 5 X 12
47	PSB61M	CAP SCREW M10-1.5 X 20
68	PLW06M	LOCK WASHER 10MM
69	PSS16M	SET SCREW M8-1.25 X 10
75	PR11M	EXT RETAINING RING 25MM
100	P0603X100	BUNDING 250MM
109	PW04M	FLAT WASHER 10MM
111	PSS16M	SET SCREW M8-1.25 X 10
118	P0603X118	BALL BEARING 6203-2NSE
120	PW01M	FLAT WASHER 8MM
123	P0603X123	PLATE
129	PK06M	KEY 5 X 5 X 10
143	P0603X143	MOTOR
143-1	PK34M	KEY 5 X 5 X 20
144	PB07M	HEX BOLT M8-1.25 X 25
145	PSB02M	CAP SCREW M6-1 X 20
146	PLW03M	LOCK WASHER 6MM
148	P6205	BALL BEARING 6205ZZ
149	P0603X149	SHAFT
150	PK01M	KEY 5 X 5 X 22
151	P0603X151	WORM GEAR
152	P0603X152	BUSHING
153	P6204	BALL BEARING 6204ZZ
154	P0603X154	WORM GEAR BOX
155	P0603X155	OIL SEAL
156	P0603X156	WORM SHAFT
157	P0603X157	GEAR
158	P6203	BALL BEARING 6203ZZ
161	P0603X161	BEARING
162	PR06M	EXT RETAINING RING 16MM
163	P0603X163	GEAR
164	P0603X164	SHAFT

REF	PART #	DESCRIPTION
165	P0603X165	OIL SEAL
166	PR18M	EXT RETAINING RING 17MM
167	P0603X167	GASKET
168	P0603X168	GEAR BOX COVER
169	PSB06M	CAP SCREW M6-1 X 25
170	PRP93M	ROLL PIN 6 X 25
171	P0603X171	SPROCKET
172	P0603X172	OIL PLUG
173	P6202	BALL BEARING 6202ZZ
174	P0603X174	GEAR SHAFT
175	PK34M	KEY 5 X 5 X 20
176	P0603X176	GEAR
177	PW08M	FLAT WASHER 16MM
178	P0603X178	CHAIN
179	P0603X179	SPROCKET
180	P0603X180	HANDLE ASSEMBLY
180-1	P0603X180-1	HANDLE
180-2	PFH02M	FLAT HD SCR M6-1 X 12
180-3	PRP92M	ROLL PIN 8 X 18
180-4	P0603X180-4	WHEEL
180-5	P6004	BALL BEARING 6004ZZ
181	P0603X181	HANDLE BRACKET
182	P0603X182	BOTTOM MOTOR CORD
183	PK20M	KEY 5 X 5 X 15
184	P0603X184	HANDLE SHAFT
185	P0603X185	COMPRESSION SPRING
186	PSB52M	CAP SCREW M8-1.25 X 10
187	PSS11M	SET SCREW M6-1 X 16
188	P0603X188	HANDLE SHAFT
189	PRP92M	ROLL PIN 8 X 18
190	PSB04M	CAP SCREW M6-1 X 10
191	PW03M	FLAT WASHER 6MM
192	P0603X192	CUTTERHEAD MOTOR ASSEMBLY
192-1	P0603X192-1	MOTOR 15HP/220/3PH
192-2	PSB11M	CAP SCREW M8-1.25 X 16
192-3	PW01M	FLAT WASHER 8MM
192-4	P0603X192-4	KEY 10 X 8 X 56
192-5	P0603X192-5	MOTOR PULLEY
195	PR26M	INT RETAINING RING 52MM
196	PB73M	HEX BOLT M10-1.5 X 50
197	PN09M	HEX NUT M12-1.75
199	PW06M	FLAT WASHER 12MM
200	P0603X200	ADJUSTING SHAFT ASSEMBLY
201	P0603X201	MOTOR PLATE
202	P0603X202	SHAFT
204	P0603X204	LEAD SCREW
205	P0603X205	SPECIAL RING
206	PFB13M	FLANGE BOLT M4-.7 X 8
207	P0603X207	DUST BOOT
208	P0603X208	LEAD SCREW



REF	PART #	DESCRIPTION
209	PR70M	INT RETAINING RING 68MM
210	P0603X210	BALL BEARING 6008-2NSE
211	P51105	THRUST BEARING 51105
212	P0603X212	BUSHING
213	PTLW14M	EXT TOOTH WASHER 25MM
214	P0603X214	SPECIAL HEX NUT M25-1.5
215	P0603X215	SPROCKET PLATE
220	P0603X220	REAR COVER
221	P0603X221	STRAIN RELIEF NB-2430
222	P0603X222	STRAIN RELIEF NB-1216
223	P0603X223	PLATE
225	P0603X225	LIFTING HOOK
226	PSB72M	CAP SCREW M10-1.5 X 30
227	PB159M	HEX BOLT M16-2 X 80
228	PN13M	HEX NUT M16-2

REF	PART #	DESCRIPTION
229	P0603X229	FOOT
230	P0603X230	BASE
231	P0603X231	SHAFT
232	P0603X232	BASE FRONT COVER
233	P0603X233	BASE COVER
240	P0603X240	CHAIN #40 X 54
241	P0603X241	CHAIN #40 X 84
248	PSB64M	CAP SCREW M10-1.5 X 25
251	P0603X251	JUNCTION BOX COVER
252	P0603X252	TERMINAL BLOCK
253	P0603X253	BUTTON HD CAP SCR M5-.8 X 10
261	P0603X261	CORD
263	P0603X263	SPACER
267	P0603X267	IDLER SPROCKET





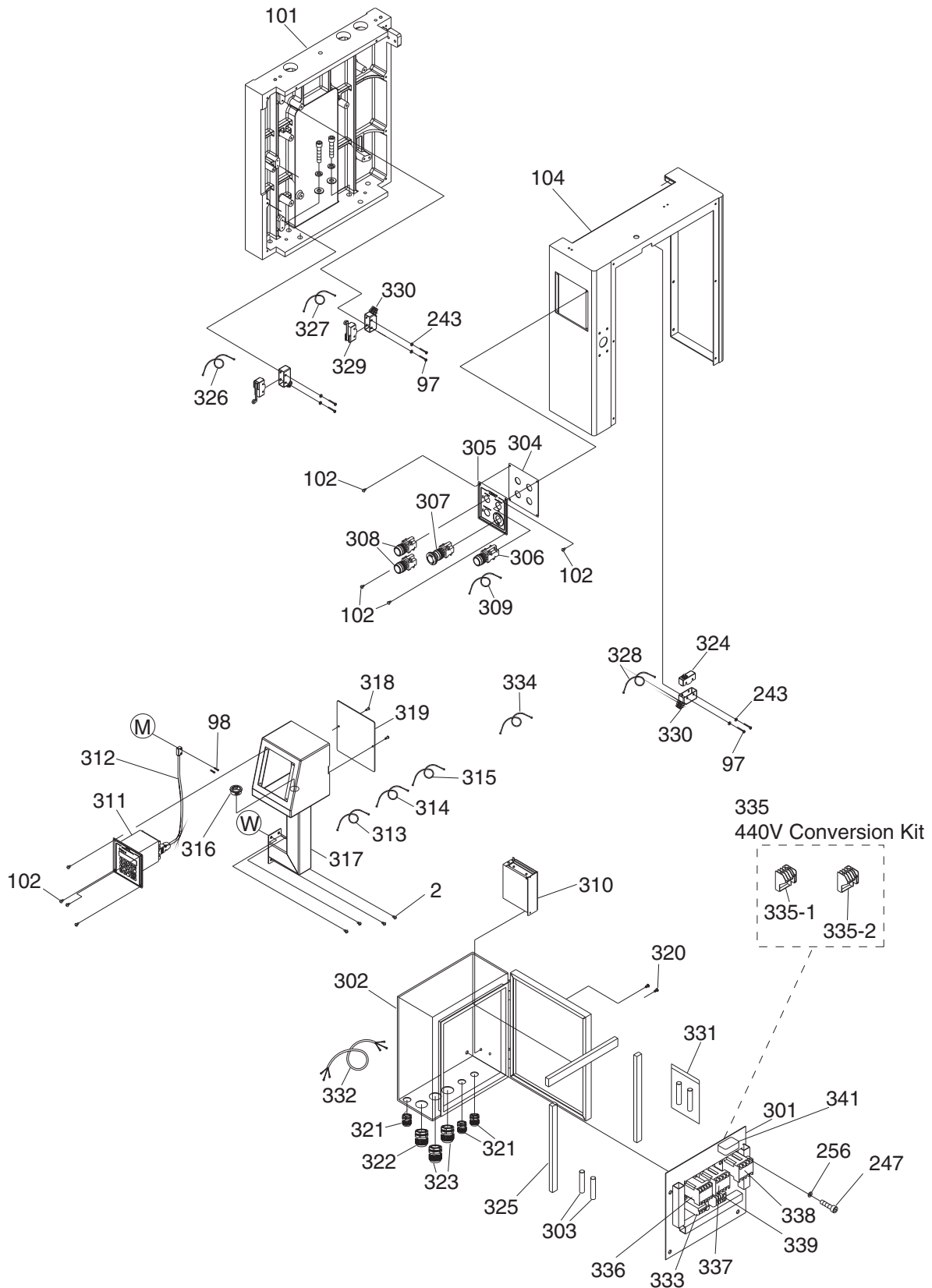
# Column Parts List

REF	PART #	DESCRIPTION
2	PB04M	HEX BOLT M6-1 X 10
5	PLW04M	LOCK WASHER 8MM
6	P0603X006	HINGE
13	PSB33M	CAP SCREW M5-.8 X 12
14	PLW01M	LOCK WASHER 5MM
15	P0603X015	CYLINDER FITTING
16	P0603X016	SPROCKET BRACKET
17	PSB84M	CAP SCREW M10-1.5 X 35
20	P0603X020	SHAFT
22	PW04M	FLAT WASHER 10MM
23	PN02M	HEX NUT M10-1.5
24	P0603X024	LEFT COLUMN
28	PN01M	HEX NUT M6-1
29	P0603X029	KNOB
30	P0603X030	SHAFT
33	PRP05M	ROLL PIN 5 X 30
36	P0603X036	LEFT PLATE
37	P0603X037	LEFT COVER
48	PSB91M	CAP SCREW M10-1.5 X 75
49	P0603X049	COMPRESSION SPRING
50	PSB47M	CAP SCREW M10-1.5 X 40
51	P0603X051	CASTING PRESSURE BAR
64	PSB40M	CAP SCREW M8-1.25 X 35
70	P0603X070	WAVY WASHER
95	P0603X095	SHAFT
99	PRP94M	ROLL PIN 5 X 14
101	P0603X101	RIGHT COLUMN

REF	PART #	DESCRIPTION
104	P0603X104	RIGHT COVER
105	P0603X105	RIGHT PLATE
110	P0603X110	SPECIAL SCREW
131	P0603X131	HANDLE BASE
142	PSB12M	CAP SCREW M8-1.25 X 40
160	P0603X160	BRACKET
190	PSB04M	CAP SCREW M6-1 X 10
194	P0603X194	SHAFT
198	PLW05M	LOCK WASHER 12MM
199	PW06M	FLAT WASHER 12MM
219	P0603X219	COMPRESSION SPRING
221	P0603X221	STRAIN RELIEF NB-2430
224	PN02M	HEX NUT M10-1.5
234	P0603X234	FENDER WASHER 10MM
236	PSB70M	CAP SCREW M10-1.5 X 45
238	PN03M	HEX NUT M8-1.25
239	P0603X239	CYLINDER
242	PW04M	FLAT WASHER 10MM
244	P0603X244	PLATE
245	PSS25M	SET SCREW M6-1 X 20
249	PSB92M	CAP SCREW M12-1.75 X 40
250	P0603X250	EXTENSION SPRING
254	P0603X254	SPONGE 40 X 10 X 2
257	P0603X257	HEX BOLT M10-1.5 X 70
262	P0603X262	PAD 33 X 10 X 2
267	P0603X267	IDLER SPROCKET



# Electric Parts Breakdown



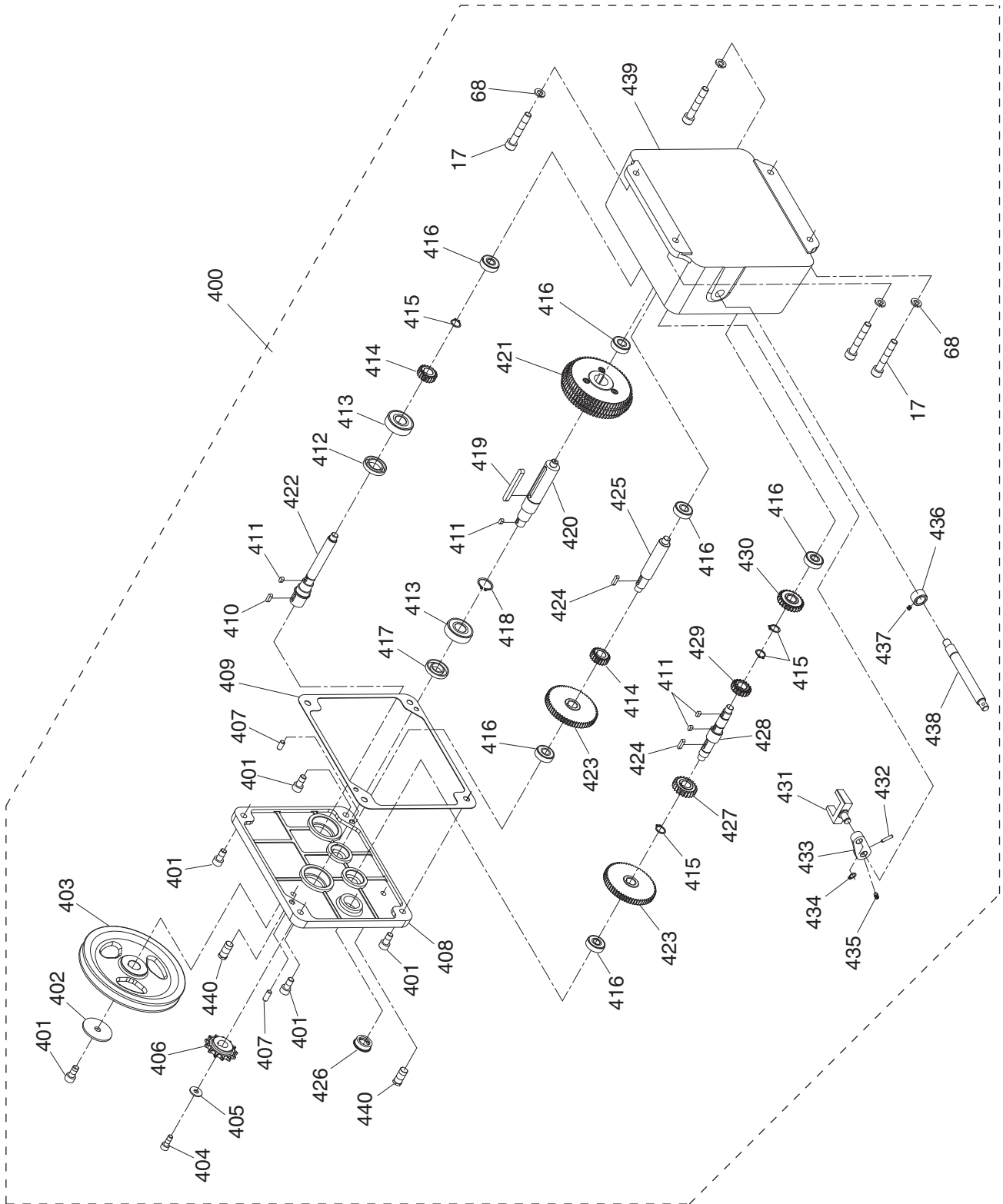
# Electric Parts List

REF	PART #	DESCRIPTION
2	PB04M	HEX BOLT M6-1 X 10
6	P0603X006	HINGE
97	PS51M	PHLP HD SCR M4-.7 X 30
98	P0603X098	BUTTON HD CAP SCR M3-.5 X 15
101	P0603X101	RIGHT COLUMN
102	P0603X102	BUTTON HD CAP SCR M4-.7 X 10
104	P0603X104	RIGHT COVER
243	PW05M	FLAT WASHER 4MM
247	PSB26M	CAP SCREW M6-1 X 12
256	PW03M	FLAT WASHER 6MM
301	P0603X301	ELECTRICAL BOARD
302	P0603X302	ELECTRICAL BOX
303	P0603X303	FUSE LIGHT
304	P0603X304	INNER BOARD
305	P0603X305	OUTER BOARD
306	P0603X306	MAIN MOTOR BUTTON
307	P0603X307	EMERGENCY BUTTON
308	P0603X308	TABLE BUTTON
309	P0603X309	CSA CORD 18AWG/7C/880MM
310	P0603X310	DIGITAL CONTROL CIRCUIT BOARD
311	P0603X311	KEYPAD ASSEMBLY & DIGITAL READOUT
312	P0603X312	SENSOR CABLE
313	P0603X313	CSA CORD 18AWG/2C/1300MM
314	P0603X314	CSA CORD 18AWG/3C/1320MM
315	P0603X315	CSA CORD 18AWG/2C/820MM
316	P0603X316	STRAIN RELIEF NB-2430
317	P0603X317	CONTROLLER BRACKET

REF	PART #	DESCRIPTION
318	P0603X318	BUTTON HD CAP SCR M4-.7 X 10
319	P0603X319	CONTROLLER COVER
320	P0603X320	BUTTON HD CAP SCR M3-.5 X 6
321	P0603X321	STRAIN RELIEF PG13.5
322	P0603X322	STRAIN RELIEF PG21
323	P0603X323	STRAIN RELIEF BG26
324	P0603X324	LIMIT SWITCH MJ2-1306
325	P0603X325	COVER PAD
326	P0603X326	CSA CORD 18AWG/2C/600MM
327	P0603X327	CSA CORD 18AWG/2C/950MM
328	P0603X328	CSA CORD 18AWG/2C/970MM
329	P0603X329	LIMIT SWITCH MJ2-1703
330	P0603X330	LIMIT SWITCH HOUSING
331	P0603X331	FUSE BLOCK
332	P0603X332	CSA CORD 16AWG/4C/880MM
333	P0603X333	CUTTERHEAD/FEED MOTOR 220V OVERLOAD RELAY
334	P0603X334	CONTROLLER CORD
335	P0603X335	440V CONVERSION KIT
335-1	P0603X335-1	OL RELAY SDE RA-30 18-26A
335-2	P0603X335-2	OL RELAY SDE RA-30 0.9-1.5A
336	P0603X336	CUTTERHEAD/FEED MOTOR 220V CONTACTOR
337	P0603X337	TABLE MOTOR 220V CONTACTOR
338	P0603X338	CONTROL 220V CONTACTOR
339	P0603X339	TABLE MOTOR 220V OVERLOAD RELAY
340	P0603X340	WAVE FILTER 1MF, 120 OHM, 2E
341	P0603X341	TRANSFORMER



# Gearbox Parts Breakdown



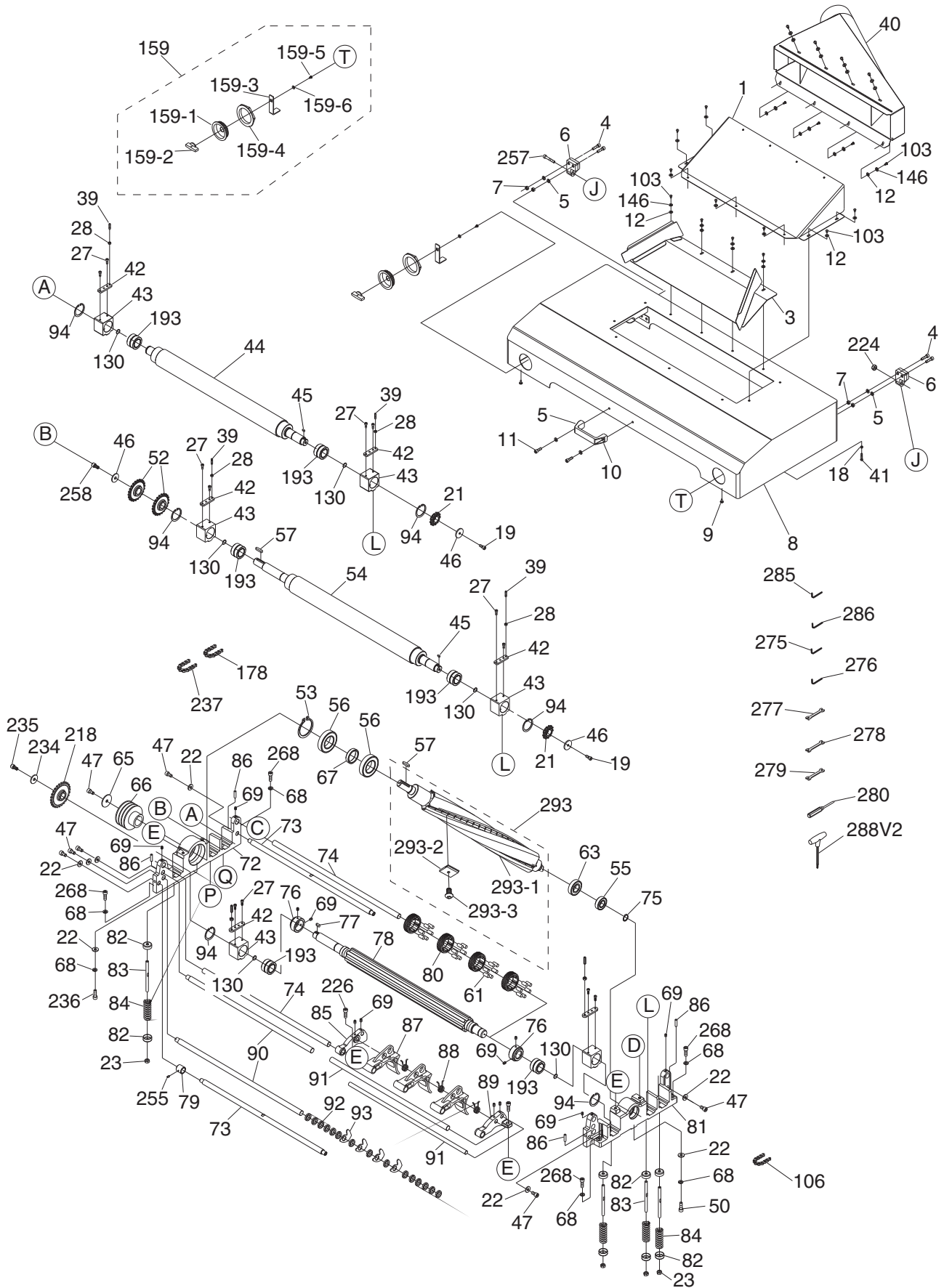
# Gearbox Parts List

REF	PART #	DESCRIPTION
17	PSB84M	CAP SCREW M10-1.5 X 35
68	PLW06M	LOCK WASHER 10MM
400	P0603X400	FEED GEAR BOX ASSY
401	PSB61M	CAP SCREW M10-1.5 X 20
402	PW04M	FLAT WASHER 10MM
403	P0603X403	PULLEY
404	PSB14M	CAP SCREW M8-1.25 X 20
405	PW01M	FLAT WASHER 8MM
406	P0603X406	SPROCKET
407	PRP92M	ROLL PIN 8 X 18
408	P0603X408	LEFT GEAR BOX COVER
409	P0603X409	GASKET
410	PK08M	KEY 5 X 5 X 16
411	PK06M	KEY 5 X 5 X 10
412	P0603X412	OIL SEAL
413	P6204-2RS	BALL BEARING 6204 2 RUB SHIELDS
414	P0603X414	GEAR 20T
415	PR06M	EXT RETAINING RING 16MM
416	P6201-2RS	BALL BEARING 6201 2 RUB SHIELDS
417	P0603X417	OIL SEAL
418	PR11M	EXT RETAINING RING 25MM
419	P0603X419	KEY 8 X 7 X 72

REF	PART #	DESCRIPTION
420	P0603X420	SHAFT
421	P0603X421	GEAR
422	P0603X422	SHAFT
423	P0603X423	GEAR 60T
424	PK34M	KEY 5 X 5 X 20
425	P0603X425	SHAFT
426	P0603X426	OIL SIGHT GLASS
427	P0603X427	GEAR 22T
428	P0603X428	SHAFT
429	P0603X429	GEAR 18T
430	P0603X430	GEAR 24T
431	P0603X431	SHIFTING FORK
432	PRP56M	ROLL PIN 4 X 25
433	P0603X433	SHIFTING BRACKET
434	PR01M	EXT RETAINING RING 10MM
435	PSS02M	SET SCREW M6-1 X 6
436	P0603X436	BUSHING
437	PSS02M	SET SCREW M6-1 X 6
438	P0603X438	SHAFT
439	P0603X439	RIGHT GEAR BOX COVER
440	P0603X440	OIL PLUG



# Headstock Parts Breakdown



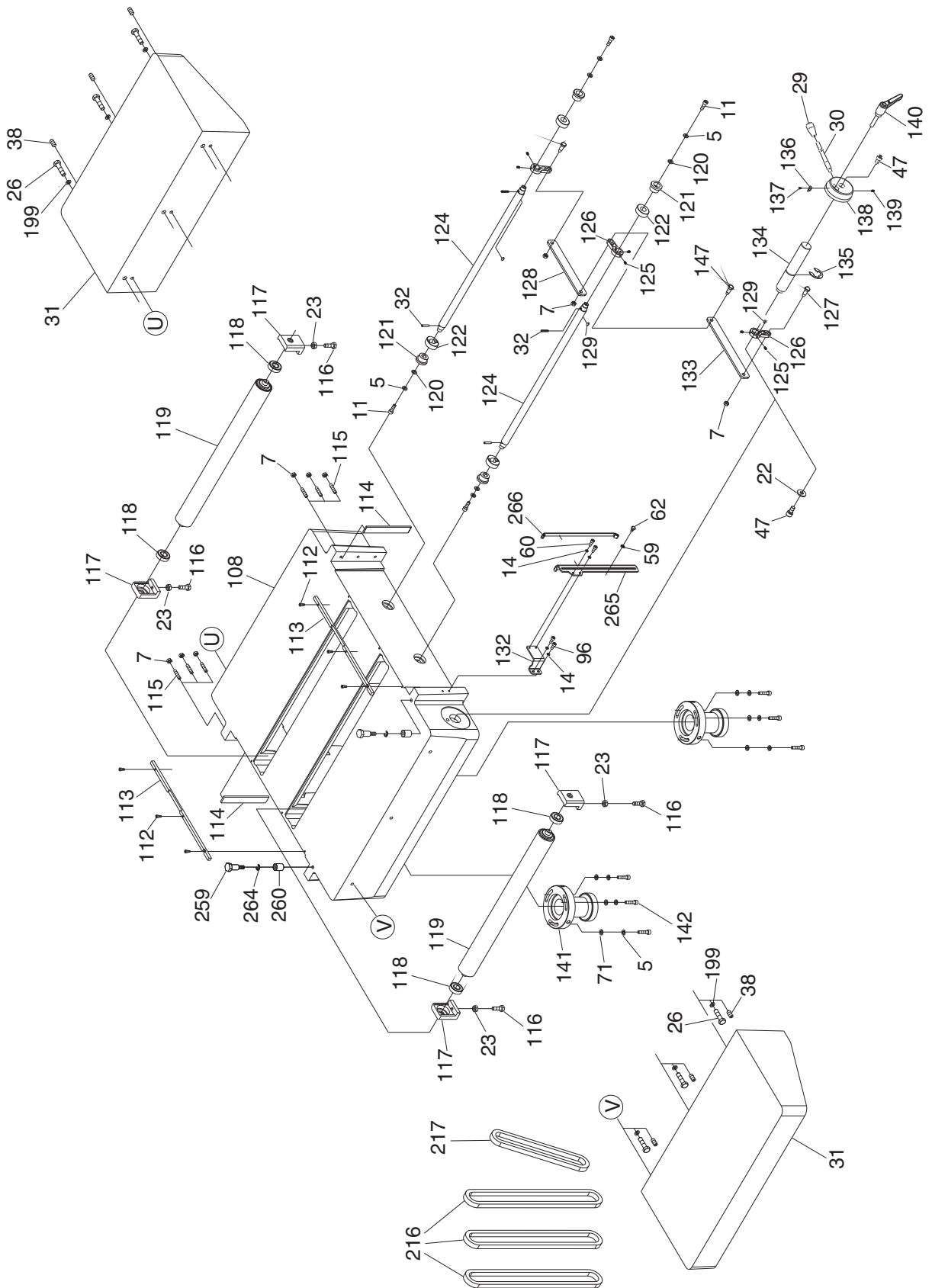
# Headstock Parts List

REF	PART #	DESCRIPTION
1	P0603X001	DUST COVER
3	P0603X003	DEFLECTION PLATE
4	PSB13M	CAP SCREW M8-1.25 X 30
5	PLW04M	LOCK WASHER 8MM
6	P0603X006	HINGE
7	PN03M	HEX NUT M8-1.25
8	P0603X008	TOP COVER
9	P0603X009	PAD
10	P0603X010	HANDLE
11	PSB31M	CAP SCREW M8-1.25 X 25
12	PW03M	FLAT WASHER 6MM
18	PN06M	HEX NUT M5-.8
19	PSB14M	CAP SCREW M8-1.25 X 20
21	P0603X021	SPROCKET
22	PW04M	FLAT WASHER 10MM
23	PN02M	HEX NUT M10-1.5
27	PSB01M	CAP SCREW M6-1 X 16
28	PN01M	HEX NUT M6-1
39	PSS28M	SET SCREW M6-1 X 30
40	P0603X040	DUST PORT
41	PB94M	HEX BOLT M5-.8 X 25
42	P0603X042	PLATE
43	P0603X043	BUSHING
44	P0603X044	REAR ROLLER
45	PK10M	KEY 5 X 5 X 12
46	P0603X046	SPECIAL WASHER
47	PSB61M	CAP SCREW M10-1.5 X 20
50	PSB47M	CAP SCREW M10-1.5 X 40
52	P0603X052	SPROCKET
53	PR43M	EXT RETAINING RING 50MM
54	P0603X054	LONG REAR ROLLER
55	P0603X055	BALL BEARING 6205-2NSE
56	P0603X056	BALL BEARING 6210-2NSE
57	P0603X057	KEY 8 X 7 X 35
61	P0603X061	RUBBER PIN
63	P0603X063	BALL BEARING 6206-2NSE
65	P0603X065	FENDER WASHER 10MM
66	P0603X066	CUTTERHEAD PULLEY
67	P0603X067	BUSHING
68	PLW06M	LOCK WASHER 10MM
69	PSS16M	SET SCREW M8-1.25 X 10
72	P0603X072	LEFT BRACKET
73	P0603X073	SHAFT
74	P0603X074	SHAFT
75	PR11M	EXT RETAINING RING 25MM
76	P0603X076	COLLAR
77	P0603X077	KEY 8 X 7 X 16
78	P0603X078	SHAFT
79	P0603X079	BUSHING
80	P0603X080	INFEED ROLLER
81	P0603X081	RIGHT BRACKET

REF	PART #	DESCRIPTION
82	P0603X082	PLATE
83	P0603X083	SHAFT
84	P0603X084	COMPRESSION SPRING
85	P0603X085	LEFT BRACKET
86	PRP90M	ROLL PIN 8 X 30
87	P0603X087	FRONT PLATE
88	P0603X088	TORSION SPRING
89	P0603X089	RIGHT BRACKET
90	P0603X090	SHAFT
91	P0603X091	SHAFT
92	P0603X092	COLLAR
93	P0603X093	ANTI-KICKBACK PAWL
94	PR25M	INT RETAINING RING 47MM
103	PSBS09M	BUTTON HD CAP SCR M6-1 X 12
106	P0603X106	CHAIN
130	P0603X130	RING
146	PLW03M	LOCK WASHER 6MM
159	P0603X159	KNOB ASSEMBLY
159-1	P0603X159-1	BRACKET
159-2	P0603X159-2	KNOB
159-3	P0603X159-3	PLATE
159-4	P0603X159-4	SPECIAL NUT
159-5	PSBS11M	BUTTON HD CAP SCR M6-1 X 10
159-6	PW03M	FLAT WASHER 6MM
178	P0603X178	CHAIN
193	P0603X193	BALL BEARING 6906
218	P0603X218	SPROCKET
224	PN02M	HEX NUT M10-1.5
226	PSB72M	CAP SCREW M10-1.5 X 30
234	P0603X234	FENDER WASHER 10MM
235	PSB61M	CAP SCREW M10-1.5 X 20
236	PSB70M	CAP SCREW M10-1.5 X 45
237	P0603X237	CHAIN #40 X 72
255	PSS79M	SET SCREW M4-.7 X 6
257	P0603X257	HEX BOLT M10-1.5 X 70
258	PB160M	CAP SCREW M8-1.25 X 20
268	PSB143M	CAP SCREW M10-1.5 X 50
275	PAW05M	HEX WRENCH 5MM
276	PAW08M	HEX WRENCH 8MM
277	PWR1214	COMBO WRENCH 12/14MM
278	PWR1719	WRENCH 17 X 19
279	P0603X279	WRENCH 22 X 24
280	P0603X280	PLHP HD/SLOTTED SCREWDRIVER
285	PAW03M	HEX WRENCH 3MM
286	PAW04M	HEX WRENCH 4MM
288V2	P0495X186V2	T-HANDLE T-25 TORX DRIVER V2.06.11
293	P0603X293	SPIRAL CUTTER ASSEMBLY
293-1	P0603X293-1	SPIRAL CUTTERHEAD
293-2	P0603X293-2	CARBIDE INSERT 15 X 15 X 2.5
293-3	PFH40	FLAT HD TORX T-25 SCR #10-32 X 1/2



# Table Parts Breakdown



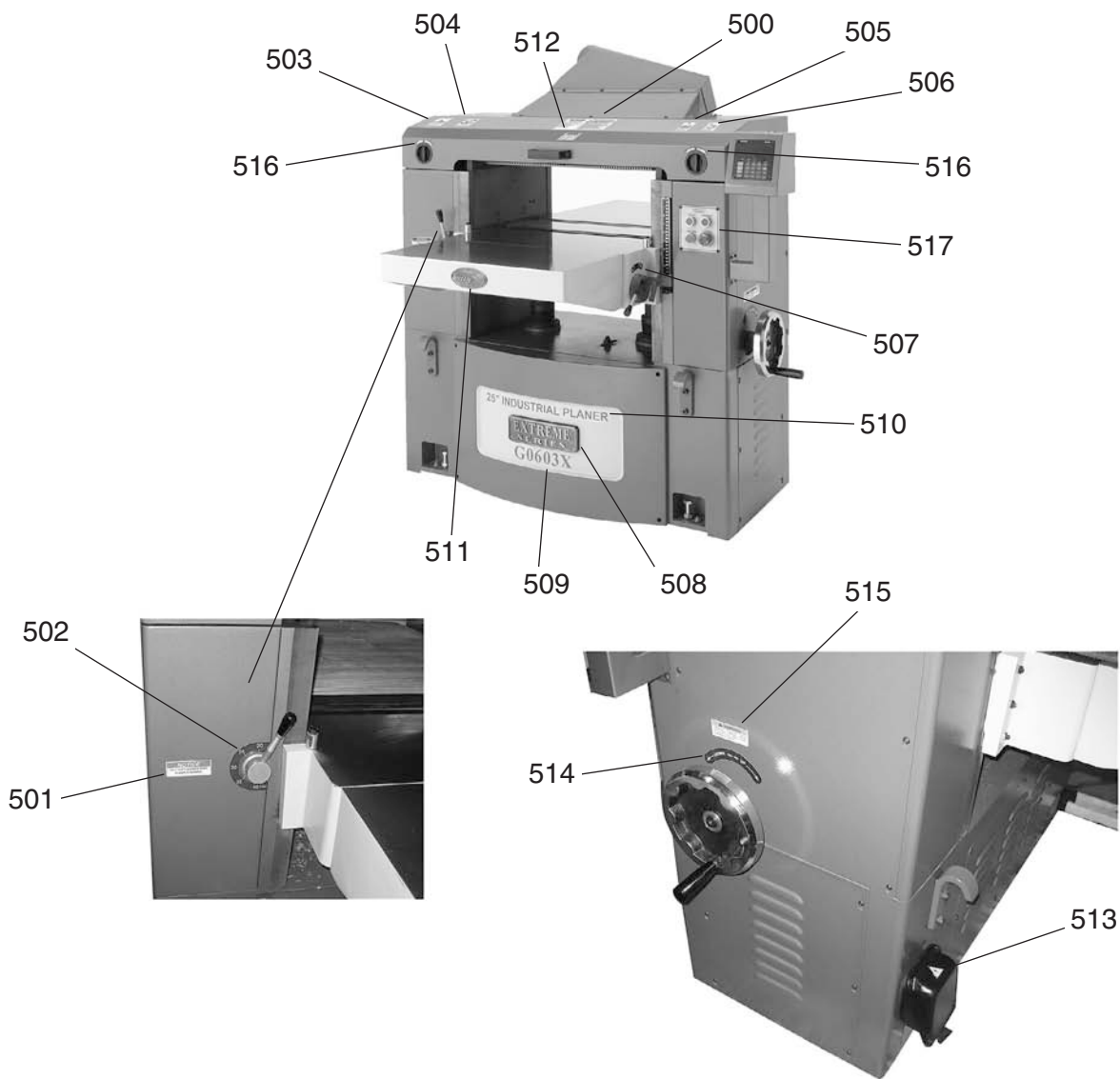
# Table Parts List

REF	PART #	DESCRIPTION
5	PLW04M	LOCK WASHER 8MM
7	PN03M	HEX NUT M8-1.25
11	PSB31M	CAP SCREW M8-1.25 X 25
14	PLW01M	LOCK WASHER 5MM
22	PW04M	FLAT WASHER 10MM
23	PN02M	HEX NUT M10-1.5
26	PB33M	HEX BOLT M12-1.75 X 50
29	P0603X029	KNOB
30	P0603X030	SHAFT
31	P0603X031	EXTENSION WING
32	PRP03M	ROLL PIN 5 X 20
38	PSS10M	SET SCREW M10-1.5 X 20
47	PSB61M	CAP SCREW M10-1.5 X 20
59	P0603X059	WAVY WASHER 6MM
60	PSB50M	CAP SCREW M5-.8 X 10
62	P0603X062	SPECIAL SCREW
71	PW01M	FLAT WASHER 8MM
96	PSB50M	CAP SCREW M5-.8 X 10
108	P0603X108	MIDDLE TABLE
112	PSB24M	CAP SCREW M5-.8 X 16
113	P0603X113	GUIDE PLATE
114	P0603X114	POINT PLATE
115	PSS44M	SET SCREW M8-1.25 X 40
116	PB01M	HEX BOLT M10-1.5 X 30
117	P0603X117	ROLLER BRACKET
118	P0603X118	BALL BEARING 6203-2NSE
119	P0603X119	ROLLER
120	PW01M	FLAT WASHER 8MM
121	P0603X121	SHAFT

REF	PART #	DESCRIPTION
122	P0603X122	CAM
124	P0603X124	ROLLER
125	PSS31M	SET SCREW M5-.8 X 8
126	P0603X126	PLATE
127	P0603X127	SPECIAL SCREW
128	P0603X128	BRACKET
129	PK06M	KEY 5 X 5 X 10
132	P0603X132	BRACKET
133	P0603X133	BRACKET
134	P0603X134	SHAFT
135	PEC18M	E-CLIP 24MM
136	P0603X136	POINTER
137	P0603X137	BUTTON HD CAP SCR M4-.7 X 6
138	P0603X138	BRACKET
139	PSS03M	SET SCREW M6-1 X 8
140	P0603X140	HANDLE
141	P0603X141	HOUSING BRACKET
142	PSB12M	CAP SCREW M8-1.25 X 40
147	P0603X147	SPECIAL SCREW
199	PW06M	FLAT WASHER 12MM
216	P0603X216	V-BELT A-86 4L860
217	PVA66	V-BELT A-66 4L660
258	PB160M	CAP SCREW M8-1.25 X 20
259	P0603X259	SPECIAL SCREW
260	P0603X260	BUSHING
264	PEC015M	E-CLIP 8MM
265	P0603X265	BRACKET
266	P0603X266	BRACKET



# Label Placement



REF	PART #	DESCRIPTION
500	P0603X500	MACHINE ID LABEL
501	P0603X501	NOTICE SHIFT GEARBOX LBL
502	P0603X502	GEARBOX SPEED LABEL
503	PLABEL-12A	READ MANUAL-VERTICAL NS 7/05
504	PLABEL-11	SAFETY GLASSES 2" X 3 5/16"
505	P0603X505	ELECTRIC DISCONNECT LABEL
506	P0603X506	EAR/LUNG CAUTION LABEL
507	P0603X507	TABLE ROLLER LABEL
508	H7942	EXTREME SERIES PLATE

REF	PART #	DESCRIPTION
509	P0603X509	G0603X LABEL
510	P0603X510	INDUSTRIAL PLANER LABEL
511	G9987	GRIZZLY LOGO PLATE
512	P0603X512	COVER WARNING LABEL
513	PLABEL-14	ELECTRICITY LABEL
514	P0603X514	TABLE CONTROL LABEL
515	P0603X515	WARNING DISENGAGE LABEL
516	P0603X516	OPEN/CLOSE LABEL
517	P0603X517	POWER/TABLE CONTROL LABEL

**Safety labels warn about machine hazards and ways to prevent injury. The owner of this machine MUST maintain the original location and readability of the labels on the machine. If any label is removed or becomes unreadable, REPLACE that label before using the machine again. Contact Grizzly at (800) 523-4777 or [www.grizzly.com](http://www.grizzly.com) to order new labels.**

