

Table & Cabinet Parts Breakdown

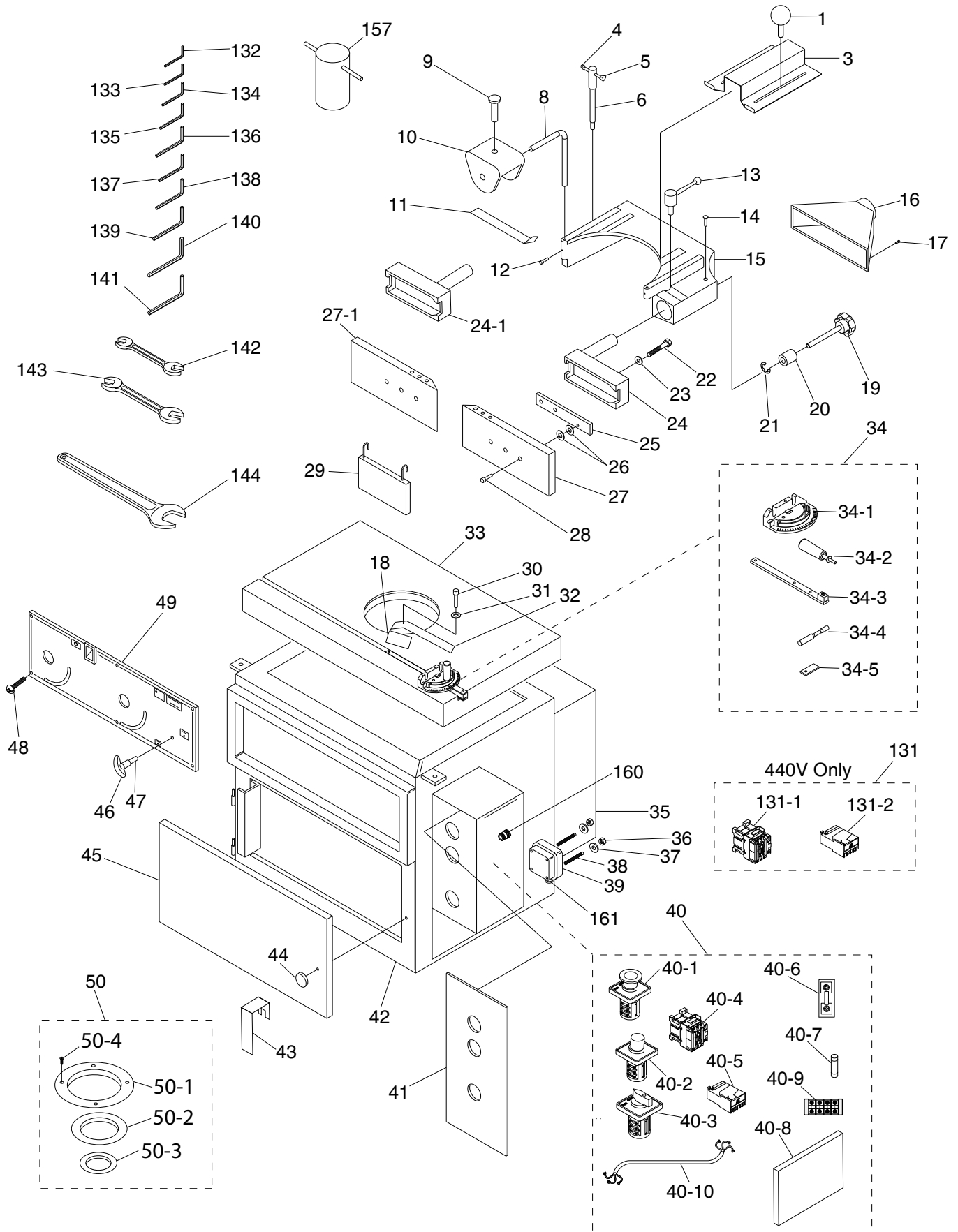


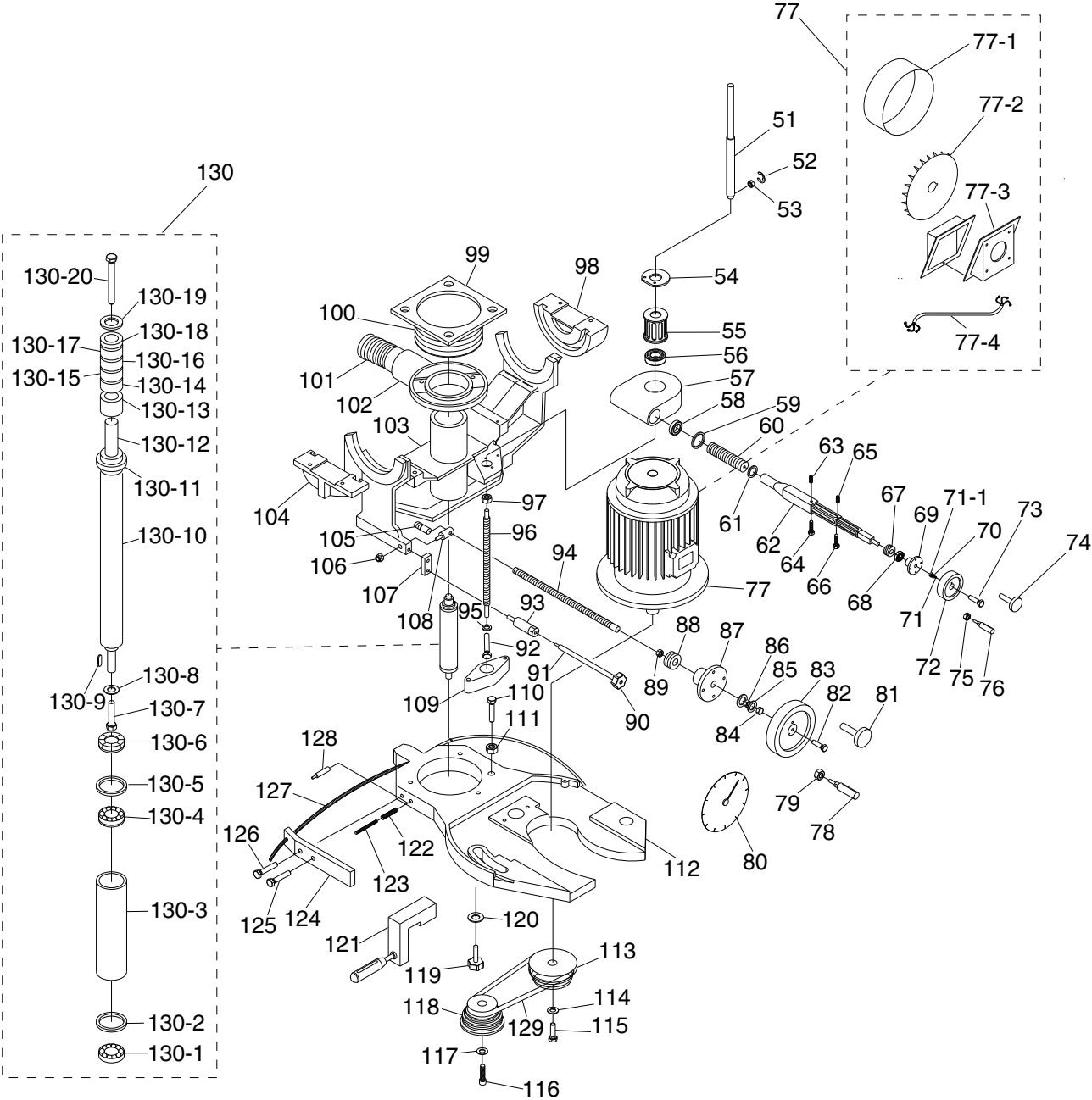
Table & Cabinet Parts List

REF	PART #	DESCRIPTION
1	P0608X001	KNOB 10-1.5 X 25
3	P0608X003	SAFEGUARD
4	P0608X004	FEMALE KNOB 1/2-13
5	P0608X005	HANDLE ROD
6	P0608X006	FIX POLE
8	P0608X008	POLE
9	P0608X009	HEX BOLT 10-1.5 X 40
10	P0608X010	SUPPORT
11	P0608X011	HOLD DOWN FINGER
12	PB14M	HEX BOLT M10-1.5 X 35
13	P0608X013	LEVER 10-1.5 X 30
14	PSS16M	SET SCREW M8-1.25 X 10
15	P0608X015	FENCE BASE
16	P0608X016	DUST HOOD
17	PS05M	PHLP HD SCR M5-.8 X 8
18	P0608X018	HOLD DOWN SUPPORT
19	P0608X019	KNOB
20	P0608X020	SPECIAL RING
21	PEC12M	E-CLIP 12MM
22	P0608X022	HEX BOLT 10-1.5 X 35
23	PW04M	FLAT WASHER 10MM
24	P0608X024	FENCE SUPPORT RIGHT
24-1	P0608X024-1	FENCE SUPPORT LEFT
25	P0608X025	PLATE
26	PW04M	FLAT WASHER 10MM
27	P0608X027	FENCE BOARD RIGHT
27-1	P0608X027-1	FENCE BOARD LEFT
28	PSB72M	CAP SCREW M10-1.5 X 30
29	P0608X029	CUTTER GUARD
30	PB34M	HEX BOLT M10-1.5 X 60
31	PW04M	FLAT WASHER 10MM
32	P0608X032	HOLD DOWN FINGER
33	P0608X033	TABLE
34	P0608X034	MITER GAUGE ASSEMBLY
34-1	P0608X034-1	MITER BODY
34-2	P0608X034-2	HANDLE
34-3	P0608X034-3	SLIDING PLATE
34-4	P0608X034-4	PIN
34-5	P0608X034-5	INDICATOR
35	P0608X035	REAR CABINET COVER
36	PN07	HEX NUT 10-24
37	PW03	FLAT WASHER #10
38	P0608X038	ALL THREAD #10-24 X 3
39	P0608X039	POWER J-BOX W/J-BLOCK

REF	PART #	DESCRIPTION
40	P0608X040	ELECTRICAL BOX
40-1	P0608X040-1	STOP SWITCH
40-2	P0608X040-2	POWER SWITCH
40-3	P0608X040-3	REVERSIBLE SWITCH
40-4	P0608X040-4	CONTACTOR 220V
40-5	P0608X040-5	THERMAL OVERLOAD RELAY 220V
40-6	P0608X040-6	FUSE HOUSING W/DIODE
40-7	P0608X040-7	2A FUSE
40-8	P0608X040-8	ELECTRICAL MOUNTING PANEL
40-9	P0608X040-9	JUNCTION BLOCK
40-10	P0608X040-10	ELECTRIC BOX WIRING HARNESS
41	P0608X041	PVC ELECTRIC FACING
42	P0608X042	BASE CABINET
43	P0608X043	LATCH HANDLE
44	P0608X044	DOOR HANDLE
45	P0608X045	MOTOR ACCESS DOOR
46	P0608X046	T-HANDLE
47	P0608X047	LOCKING SHAFT
48	PS108M	PHLP HD SCR M6-1 X 55
49	P0608X049	PVC HANDWHEEL FACING
50	P0608X050	TABLE INSERT SET ASSEMBLY
50-1	P0608X050-1	TABLE INSERT 9-7/8 ID X 13-3/4 OD
50-2	P0608X050-2	TABLE INSERT 5-7/8 ID X 10-5/8 OD
50-3	P0608X050-3	TABLE INSERT 2-3/4 ID X 6-3/4 OD
50-4	PSS08M	SET SCREW M4-.7 X 5
131	P0608X131	440V CONVERSION KIT
131-1	P0608X131-1	CONTACTOR 440V
131-2	P0608X131-2	THERMAL OVERLOAD RELAY 440V
132	PAW01.5M	HEX WRENCH 1.5MM
133	PAW02M	HEX WRENCH 2MM
134	PAW02.5M	HEX WRENCH 2.5MM
135	PAW03M	HEX WRENCH 3MM
136	PAW04M	HEX WRENCH 4MM
137	PAW05M	HEX WRENCH 5MM
138	PAW10M	HEX WRENCH 5.5MM
139	PAW06M	HEX WRENCH 6MM
140	PAW08M	HEX WRENCH 8MM
141	PAW10M	HEX WRENCH 10MM
142	PWR1113	WRENCH 11 X 13
143	PWR1719	WRENCH 17 X 19
144	P0608X144	SPINDLE NUT WRENCH 36MM
157	P0608X157	SHAFT NUT WRENCH
160	P0608X160	STRAIN RELIEF
161	P0608X161	STRAIN RELIEF BUSHING



Motor & Spindle Parts Breakdown



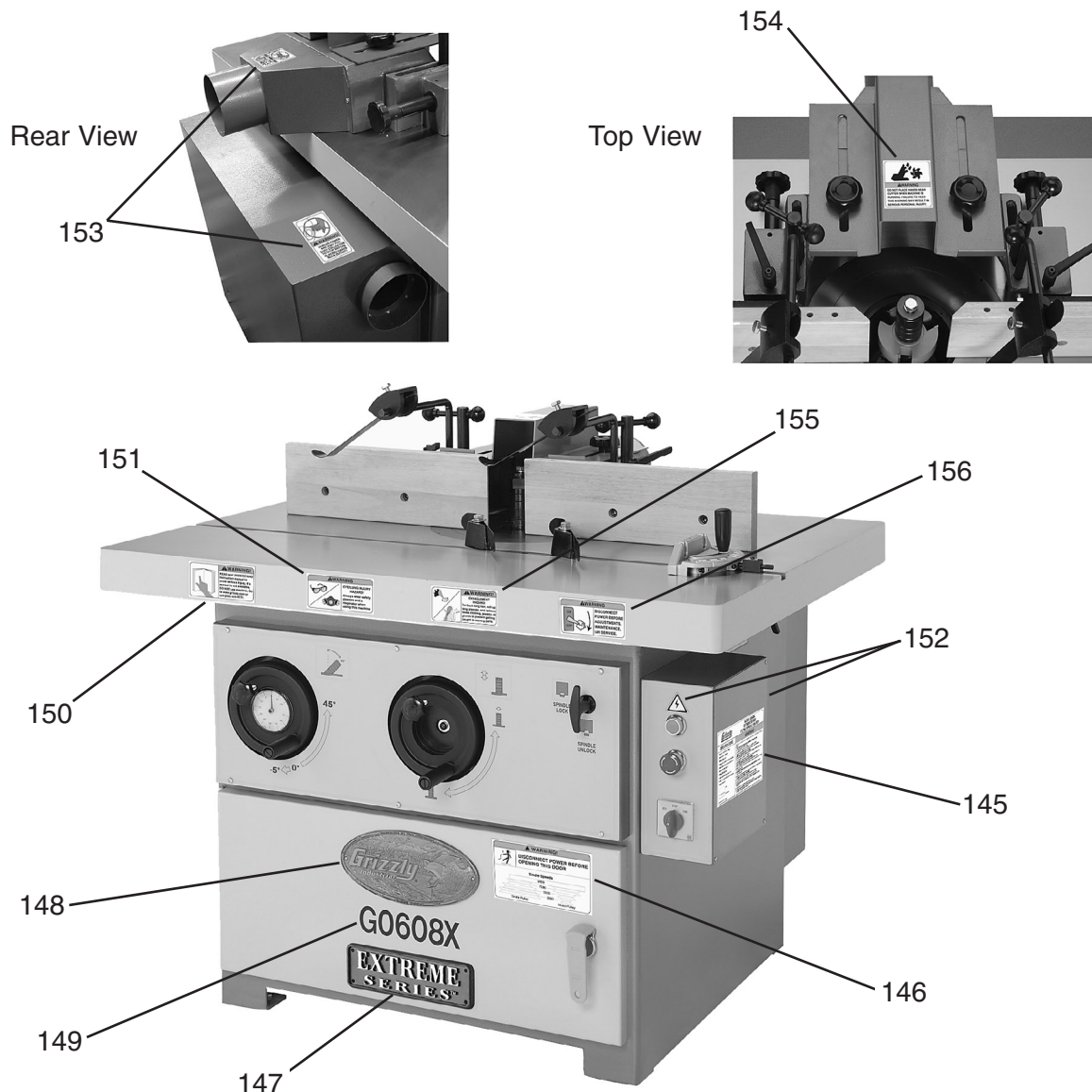
Motor & Spindle Parts List

REF	PART #	DESCRIPTION
51	P0608X051	SHAFT
52	PEC04M	E-CLIP 13MM
53	PN13M	HEX NUT M16-2
54	P0608X054	BEARING 3047
55	P0608X055	WORM GEAR BRASS
56	P0608X056	BEARING 3047
57	P0608X057	WORM GEAR HOUSING
58	P6002	BALL BEARING 6002ZZ
59	PR29M	INT RETAINING RING 32MM
60	P0608X060	WORM GEAR
61	P0608X061	COUPLER
62	P0608X062	EXTENSION COUPLER
63	PSS01M	SET SCREW M6-1 X 10
64	PB04M	HEX BOLT M6-1 X 10
65	PSS01M	SET SCREW M6-1 X 10
66	PB04M	HEX BOLT M6-1 X 10
67	P6002	COUPLER
68	P6002	BALL BEARING 6002ZZ
69	P0608X069	SUPPORT PLATE
70	P0608X070	SHAFT
71	P6002	BALL BEARING 6002ZZ
71-1	P0608X071-1	HEX NUT 15-1.5
72	P0608X072	HANDWHEEL
73	PSBS23M	BUTTON HD CAP SCR M8-1.25 X 25
74	P0608X074	KNOB M8-1.25 X 120
75	PN08	HEX NUT 3/8-16
76	P0608X076	HANDLE
77	P0608X077	MOTOR, 7.5HP, 220/440V, 60HZ
77-1	P0608X077-1	MOTOR FAN COVER
77-2	P0608X077-2	MOTOR FAN
77-3	P0608X077-3	MOTOR JUNCTION BOX
77-4	P0608X077-4	MOTOR WIRING HARNESS
78	P0608X078	HANDLE
79	PN08	HEX NUT 3/8-16
80	P0608X080	TILT DIAL
81	P0608X081	KNOB M8-1.25 X 120
82	PSBS23M	BUTTON HD CAP SCR M8-1.25 X 25
83	P0608X083	HANDWHEEL
84	P0608X084	HEX NUT M15-1.5
85	P6002	BALL BEARING 6002ZZ
86	P0608X086	SHAFT
87	P0608X087	SUPPORTING PLATE
88	P6002	BALL BEARING 6002ZZ
89	P0608X089	UNIVERSAL COUPLER
90	P0608X090	KNOB
91	P0608X091	SHAFT
92	PSBS22M	BUTTON HD CAP SCR M8-1.25 X 20
93	P0608X093	SHAFT SUPPORT
94	P0608X094	WORM GEAR
95	P0608X095	FENDER WASHER 8 ID X 30MM OD
96	P0608X096	WORM GEAR
97	PN32M	HEX NUT M14-2
98	P0608X098	RIGHT TILTING BASE

REF	PART #	DESCRIPTION
99	P0608X099	PLATE
100	P0608X100	FLEXIBLE HOSE 10"
101	P0608X101	FLEXIBLE HOSE 4"
102	P0608X102	DUST HOOD
103	P0608X103	TILTING BASE SUPPORT HOUSING
104	P0608X104	LEFT TILTING BASE
105	P0608X105	SPECIAL RETAINING SCREW
106	P0608X106	SPECIAL LOCKING NUT
107	P0608X107	SUPPORT PLATE
108	P0608X108	RETAINING BOLT
109	P0608X109	WORM GEAR SUPPORT
110	PB33M	HEX BOLT M12-1.75 X 50
111	PN09M	HEX NUT M12-1.75
112	P0608X112	MOTOR BASE
113	P0608X113	MOTOR PULLEY
114	PW06M	FLAT WASHER 12MM
115	PB15M	HEX BOLT M8-1.25 X 40
116	PSB31M	CAP SCREW M8-1.25 X 25
117	PW01M	FLAT WASHER 8MM
118	P0608X118	SPINDLE PULLEY
119	P0608X119	LEVER 10-1.5 X 30
120	PW04M	FLAT WASHER 10MM
121	P0608X121	BELT TENSIONING BAR
122	P0608X122	COMPRESSION SPRING
123	P0608X123	PIN
124	P0608X124	SUPPORT ARM
125	PB161M	HEX BOLT M6-1 X 70
126	PB45M	HEX BOLT M8-1.25 X 100
127	P0608X127	LOCKING WIRE
128	P0608X128	LOCKING PIN
129	PVA40	V-BELT A-40 4L400
130	P0608X130	CUTTER SHAFT ASSEMBLY
130-1	P6206	BALL BEARING 6206ZZ
130-2	PR38M	INT RETAINING RING 62MM
130-3	P0608X130-3	QUILL
130-4	P0608X130-4	BALL BEARING 6210ZZ
130-5	P0608X130-5	INT RETAINING RING 90MM
130-6	P0608X130-6	DUST COVER
130-7	PSB31M	CAP SCREW M8-1.25 X 25
130-8	PW01M	FLAT WASHER 8MM
130-9	P0608X130-9	KEY 8 X 7 X 35
130-10	P0608X130-10	SPINDLE CARTRIDGE
130-11	P0608X130-11	SPINDLE SHAFT NUT
130-12	P0608X130-12	SPINDLE
130-13	P0608X130-13	SPACER 15MM
130-14	P0608X130-14	SPACER 20MM
130-15	P0608X130-15	SPACER 25MM
130-16	P0608X130-16	SPACER 30MM
130-17	P0608X130-17	SPACER 35MM
130-18	P0608X130-18	SHAFT NUT
130-19	PW06M	FLAT WASHER 12MM
130-20	PB25M	HEX BOLT M12-1.75 X 25



Label Placement



REF	PART #	DESCRIPTION
145	P0608X145	MACHINE ID LABEL
146	P0608X146	DISCONNECT POWER LABEL
147	P0608X147	EXTREME SERIES LOGO 10 X 3-1/4
148	G8589	GRIZZLY LOGO 10-3/4 X 5-1/4
149	P0608X149	G0608X LABEL
150	P0608X150	READ HORIZ LABEL
151	P0608X151	GLASS-RESP HORIZ LABEL

REF	PART #	DESCRIPTION
152	PLABEL-14	ELECTRICITY LABEL
153	P0608X153	OUTLET HORIZ LABEL
154	P0608X154	CUTTER HORIZ LABEL
155	P0608X155	ENTANGLEMENT HORIZ LABEL
156	P0608X156	DISCONNECT HORIZ LABEL
158	PPAINT-1	GRIZZLY GREEN TOUCH UP PAINT
159	PPAINT-11	GRIZZLY PUTTY TOUCH UP PAINT

WARNING

Safety labels warn about machine hazards and ways to prevent injury. The owner of this machine **MUST** maintain the original location and readability of the labels on the machine. If any label is removed or becomes unreadable, **REPLACE** that label before using the machine again. Contact Grizzly at (800) 523-4777 or www.grizzly.com to order new labels.

