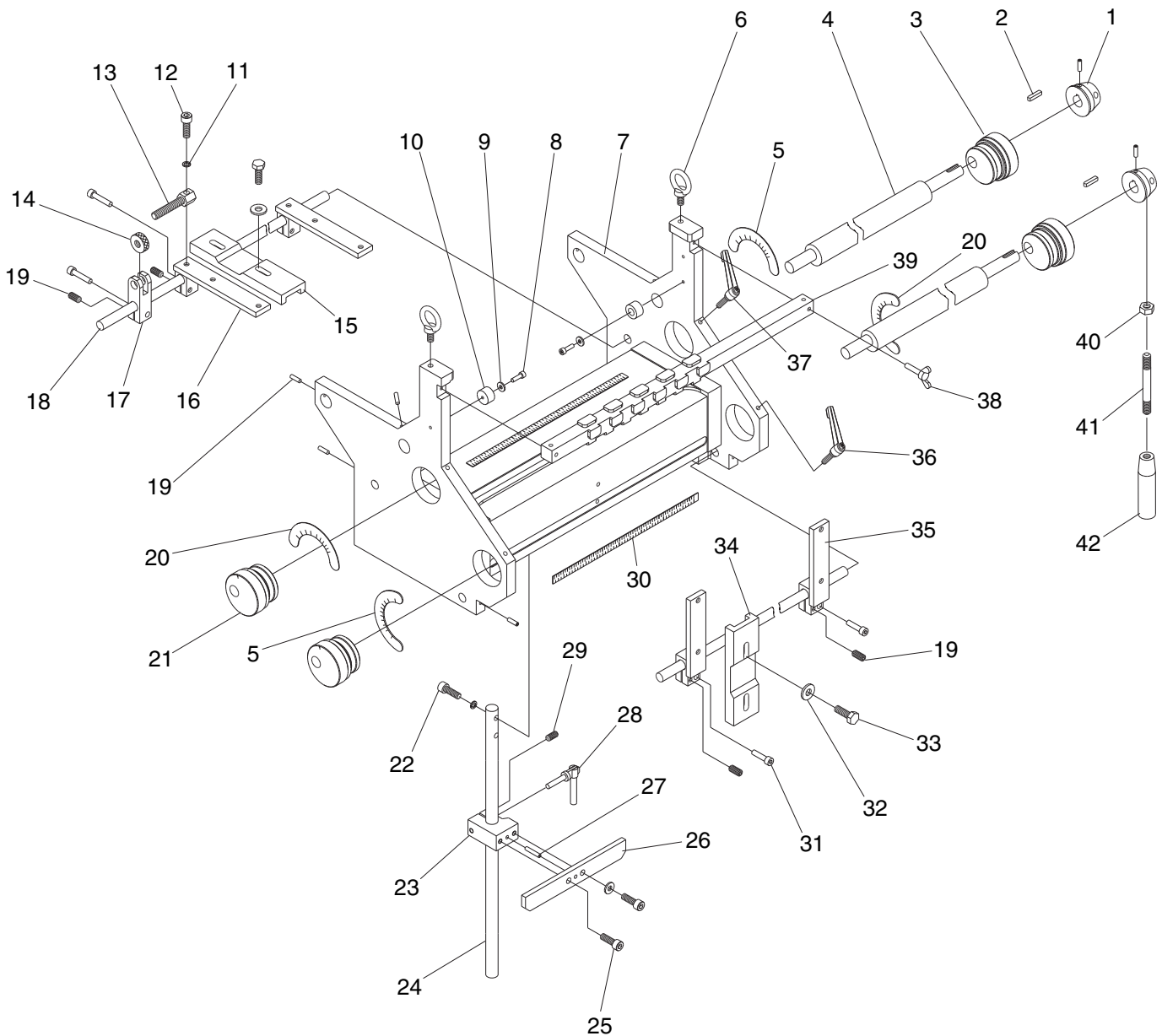


# Table Parts Breakdown



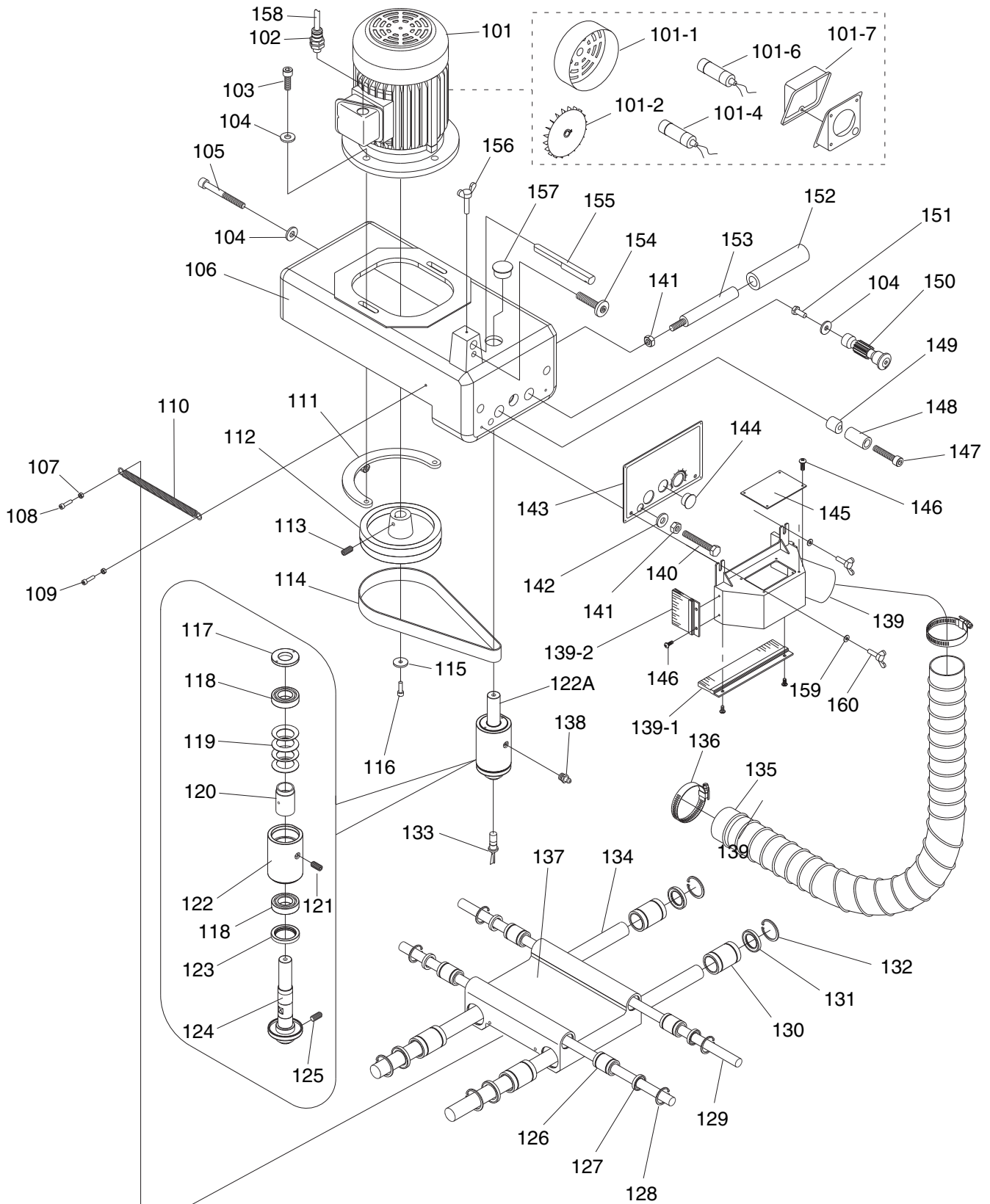
# Table Parts List

REF	PART #	DESCRIPTION
1	P0610001	HUB
2	PK42M	KEY 6 X 6 X 30
3	P0610003	ECCENTRIC WHEEL
4	P0610004	SLIDING ROD
5	P0610005	CLAMP SCALE R-L
6	P0610006	EYE BOLT M10-1.5 X 15
7	P0610007	WORK TABLE
8	PSB02M	CAP SCREW M6-1 X 20
9	PW03M	FLAT WASHER 6MM
10	P0610010	BUFFER PAD
11	PLW04M	LOCK WASHER 8MM
12	PSB13M	CAP SCREW M8-1.25 X 30
13	P0610013	ADJUSTMENT SCREW
14	P0610014	ADJUSTMENT NUT
15	P0610015	BUFFER PAD
16	P0610016	FENCE BASE
17	P0610017	MICRO-ADJUSTMENT SEAT
17A	P0610017A	MICRO-ADJUSTMENT ASSY
18	P0610018	SLIDING ROD
19	PSS04M	SET SCREW M6-1 X 12
20	P0610020	CLAMP SCALE L-R
21	P0610021	ECCENTRIC WHEEL

REF	PART #	DESCRIPTION
22	PSB40M	CAP SCREW M8-1.25 X 35
23	P0610023	CLAMPING SEAT
24	P0610024	GUIDE ROD
25	PSB14M	CAP SCREW M8-1.25 X 20
26	P0610026	ADJUSTMENT PLATE
27	P0610027	SPRING KEY
28	P0610028	LOCKING HANDLE M8-1.25 X 35
29	PSS06M	SET SCREW M8-1.25 X 16
30	P0610030	SCALE
31	PSB31M	CAP SCREW M8-1.25 X 25
32	PW01M	FLAT WASHER 8MM
33	PB09M	HEX BOLT M8-1.25 X 20
34	P0610034	BUFFER PAD
35	P0610035	FENCE BASE
36	P0610036	LOCKING HANDLE M8-1.25 X 25
37	P0610037	LOCKING HANDLE M8-1.25 X 45
38	P0610038	WING SCREW M6-1 X 35
39	P0610039	COPYING TEMPLATE
40	PN09M	HEX NUT M12-1.75
41	P0610041	LEVER
42	P0610042	HANDLE KNOB M12-1.75 X 82



# Headstock Parts Breakdown



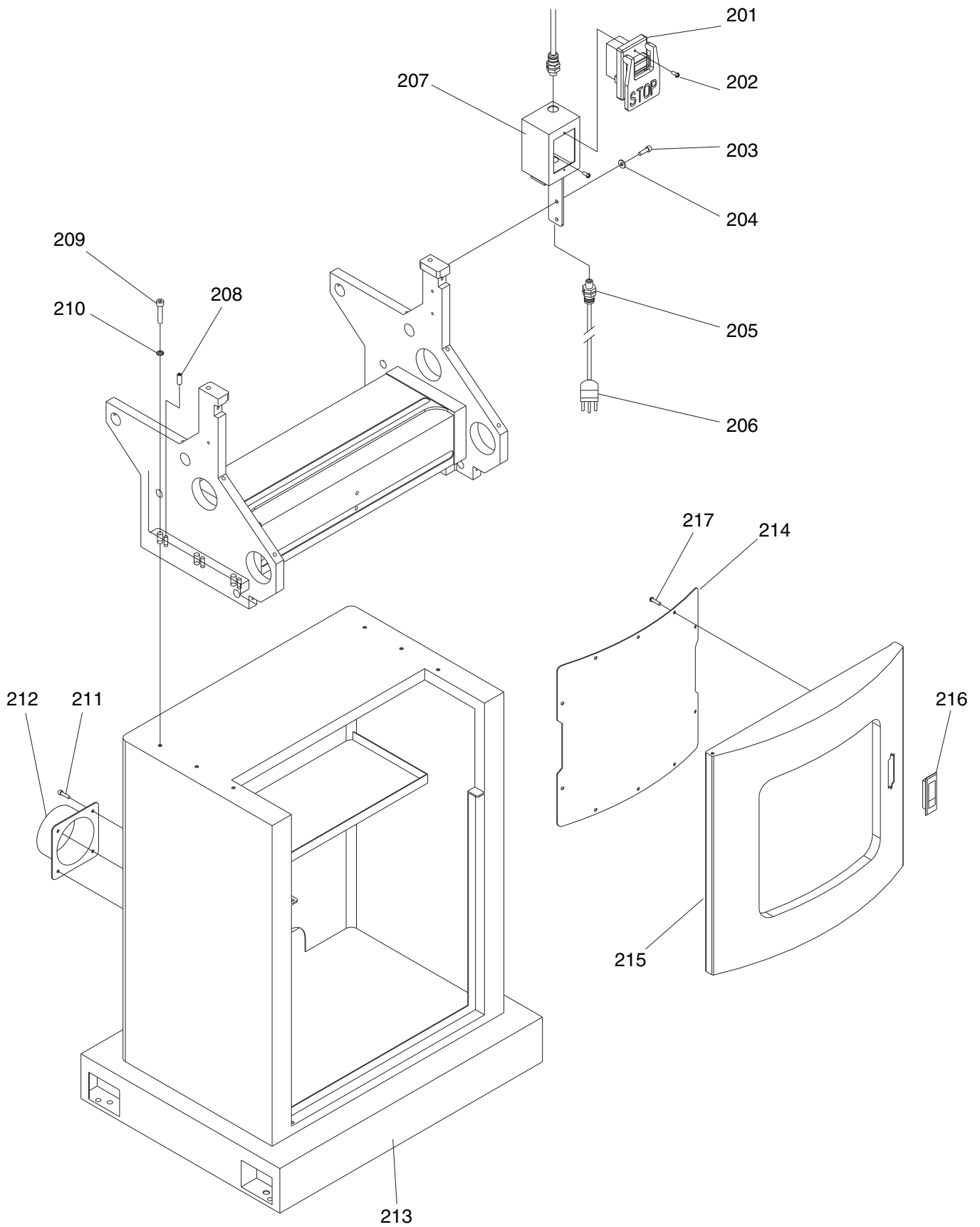
# Headstock Parts List

REF	PART #	DESCRIPTION
101	P0610101	MOTOR 1HP, 110V/220V, 1-PH
101-1	P0610101-1	MOTOR FAN COVER
101-2	P0610101-2	MOTOR FAN
101-4	P0610101-4	CAPACITOR 300MFD 250VAC
101-6	P0610101-6	CAPACITOR 30MFD 250VAC
101-7	P0610101-7	MOTOR JUNCTION BOX
102	P0610102	STRAIN RELIEF 11-10B
103	PSB40M	CAP SCREW M8-1.25 X 35
104	PW01M	FLAT WASHER 8MM
105	P0610105	CAP SCREW M8-1.25 X 100
106	P0610106	SPINDLE SLIDE SEAT
107	PN06M	HEX NUT M5-.8
108	PSB79M	CAP SCREW M5-.8 X 35
109	PSB15M	CAP SCREW M5-.8 X 20
110	P0610110	EXTENSION SPRING
111	P0610111	MOTOR BRACKET
112	P0610112	MOTOR PULLEY
113	PSS53M	SET SCREW M5-.8 X 12
114	P0610114	FLAT BELT 670 X 25
115	PW03M	FLAT WASHER 6MM
116	PSB02M	CAP SCREW M6-1 X 20
117	P0610117	FIXING NUT
118	P6005	BALL BEARING 6005
119	P0610119	COMPRESSION SPRING AK-6005
120	P0610120	SPACER
121	PSS07M	SET SCREW M5-.8 X 5
122	P0610122	SPINDLE BEARING HOUSING
122A	P0610122A	SPINDLE ASSEMBLY
123	P0610123	LOCK NUT
124	P0610124	ECCENTRIC SPINDLE
125	PSS16M	SET SCREW M8-1.25 X 10
126	P0610126	LINEAR BUSHING 16UU
127	P0610127	SEAL 16 X 28 X 7 X 3
128	PR20M	INT RETAINING RING 28MM

REF	PART #	DESCRIPTION
129	P0610129	GUIDE ROD 16 X 459MML
130	P0610130	LINEAR BUSHING 25UU
131	P0610131	SEAL 25 X 40 X 7 X 2
132	PR23M	INT RETAINING RING 40MM
133	H9388	CUTTER
134	P0610134	GUIDE ROD 25 X 599MML
135	P0610135	FLEXIBLE HOSE 2.5" X 53"
136	P0610136	HOSE CLAMP 2-3/4"
137	P0610137	CARRIAGE
138	PZERK2	GREASE FITTING M6-1 x 5
139	P0610139	GUARD
139-1	P0610139-1	BOTTOM GUARD BRUSH
139-2	P0610139-2	SIDE GUARD BRUSH
140	P0610140	HEX BOLT M10-1.5 X 185
141	PN02M	HEX NUT M10-1.5
142	PW04M	FLAT WASHER 10MM
143	P0610143	PANEL
144	P0610144	PLASTIC PLUG 22MM
145	P0610145	WINDOW
146	PS17M	PHLP HD SCR M4-.7 X 6
147	PSB66M	CAP SCREW M8-1.25 X 65
148	P0610148	BUSHING
149	P0610149	CLAMP BUSHING
150	P0610150	GEAR SHAFT
151	PB03M	HEX BOLT M8-1.25 X 16
152	P0610152	SPONGE COATING
153	P0610153	HANDLE
154	P0610154	ADJUSTMENT SCREW
155	P0610155	TRACER PIN
156	P0610156	WING SCREW M6-1 X 20
157	P0610157	PLUG 30MM
158	P0610158	MOTOR CORD
159	PW02M	FLAT WASHER 5MM
160	P0610160	WING SCREW M5-.8 X 15



# Stand Parts Breakdown

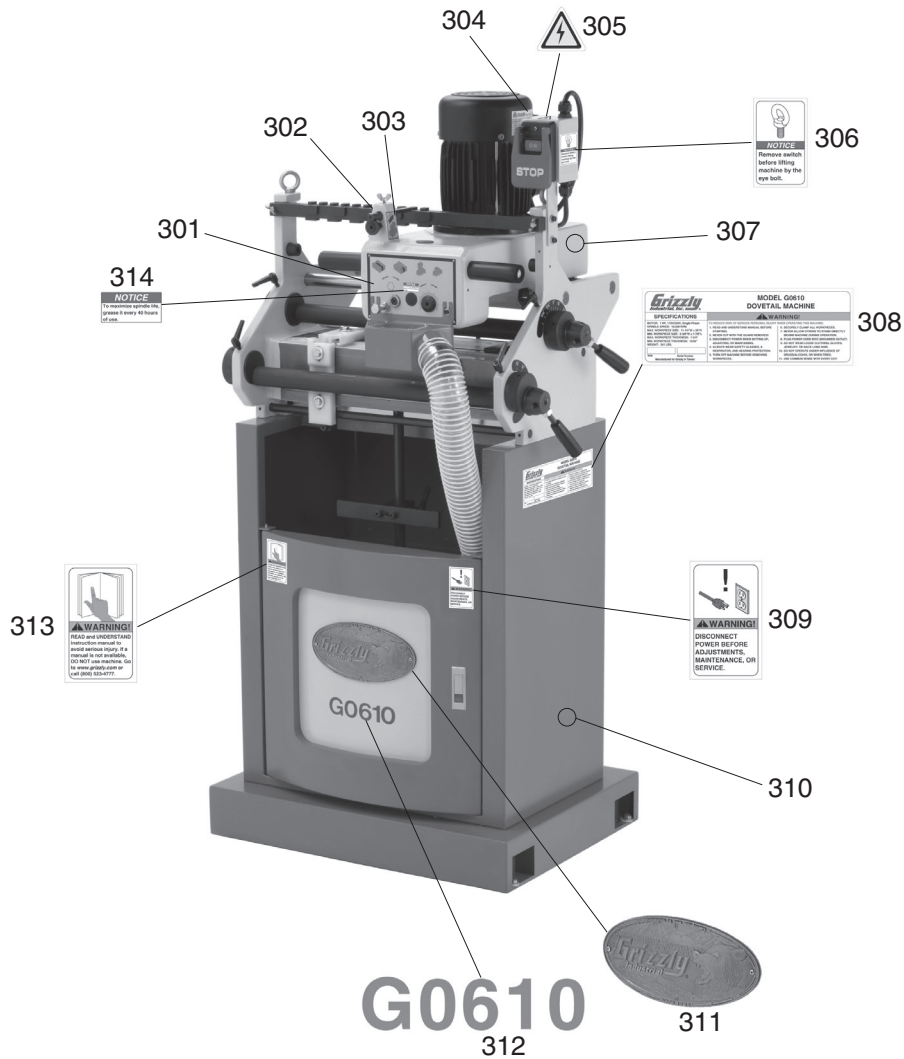


# Stand Parts List

REF	PART #	DESCRIPTION
201	P0610201	ON/OFF PUSH BUTTON SWITCH
202	PS52M	PHLP HD SCR M4-.7 X 20
203	PSB01M	CAP SCREW M6-1 X 16
204	PW03M	FLAT WASHER 6MM
205	P0610205	CABLE TIE CLAMP
206	P0610206	POWER CORD W/PLUG
207	P0610207	SWITCH BOX
208	PSB58M	CAP SCREW M8-1.25 X 12
209	PSB40M	CAP SCREW M8-1.25 X 35
210	PLW04M	LOCK WASHER 8MM
211	PSS05M	SET SCREW M5-.8 X 10
212	P0610212	DUST PORT 4"
213	P0610213	CABINET
214	P0610214	DOOR LINER BOARD
215	P0610215	DOOR
216	P0610216	DOOR LATCH
217	PHTEK26M	TAP SCREW M5 X 10



# Labels Parts Breakdown



REF	PART #	DESCRIPTION
301	P0610143	CONTROL PANEL LABEL
302	P0610302	TAIL SHORTER LABEL
303	P0610303	TAIL LONGER LABEL
304	P0610304	MOTOR LABEL
305	PLABEL-14	ELECTRICITY LABEL
306	P0610306	EYEBOLT NOTICE LABEL
307	PPAINT-14	"PUTTY" TOUCH-UP PAINT

REF	PART #	DESCRIPTION
308	P0610308	MACHINE ID LABEL
309	P0610309	DISCONNECT POWER LABEL
310	PPAINT-1	"GRIZZLY GREEN" TOUCH-UP PAINT
311	G8588	GRIZZLY LOGO PLATE
312	P0610312	G0610 MODEL NUMBER LABEL
313	PLABEL-12A	READ MANUAL LABEL
314	P0610314	GREASE SPINDLE LABEL

## WARNING

Safety labels warn about machine hazards and ways to prevent injury. The owner of this machine **MUST** maintain the original location and readability of the labels on the machine. If any label is removed or becomes unreadable, **REPLACE** that label before using the machine again. Contact Grizzly at (800) 523-4777 or [www.grizzly.com](http://www.grizzly.com) to order new labels.

