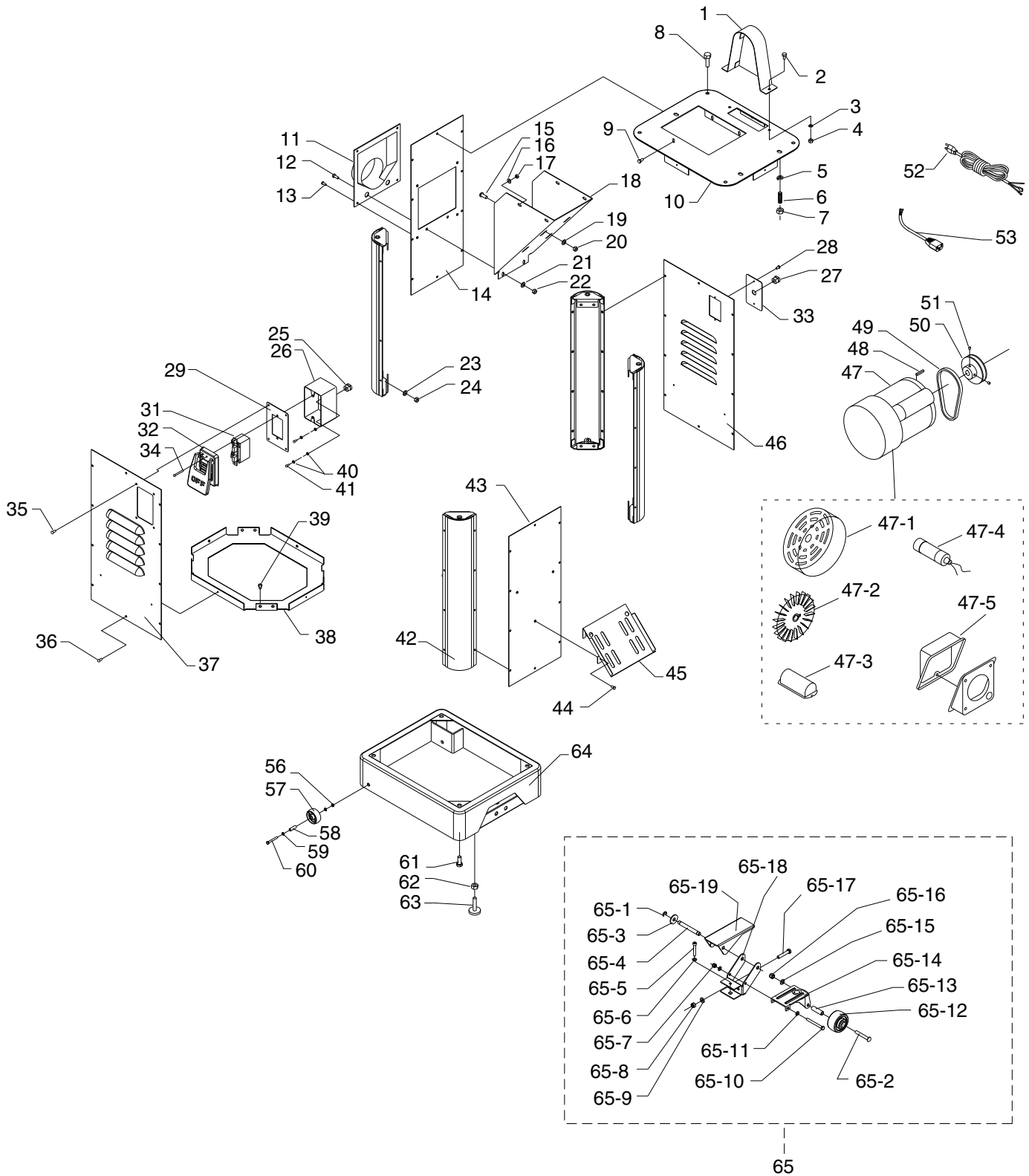


Stand Parts Breakdown



Stand Parts List

| REF | PART # | DESCRIPTION |
|-----|----------|-------------------------------|
| 1 | P0654001 | BELT GUARD ASSEMBLY |
| 2 | PFB01M | FLANGE BOLT M6-1 X 12 |
| 3 | PW03M | FLAT WASHER 6MM |
| 4 | PN01M | HEX NUT M6-1 |
| 5 | PLW06M | LOCK WASHER 10MM |
| 6 | P0654006 | SPECIAL STUD M10-1.5 |
| 7 | PN02M | HEX NUT M10-1.5 |
| 8 | PB18 | HEX BOLT 3/8-16 X 1 |
| 9 | PB02M | HEX BOLT M6-1 X 12 |
| 10 | P0654010 | TOP PLATE ASSEMBLY |
| 11 | P0654011 | DUST PORT |
| 12 | PFB01M | FLANGE BOLT M6-1 X 12 |
| 13 | PFS03 | FLANGE SCREW 10-24 X 3/8 |
| 14 | P0654014 | LEFT PANEL |
| 15 | PCB06 | CARRIAGE BOLT 5/16-18 X 1-1/4 |
| 16 | PW03M | FLAT WASHER 6MM |
| 17 | PN01M | HEX NUT M6-1 |
| 18 | P0654018 | DUST CHUTE |
| 19 | PW07 | FLAT WASHER 5/16 |
| 20 | PN02 | HEX NUT 5/16-18 |
| 21 | PW03M | FLAT WASHER 6MM |
| 22 | PN01M | HEX NUT M6-1 |
| 23 | PW03M | FLAT WASHER 6MM |
| 24 | PN01M | HEX NUT M6-1 |
| 25 | P0654025 | STRAIN RELIEF 6N-4 |
| 26 | P0654026 | SWITCH BOX |
| 27 | P0654027 | STRAIN RELIEF 6N-4 |
| 28 | PFS03 | FLANGE SCREW 10-24 X 3/8 |
| 29 | P0654029 | SWITCH BOX BRACKET |
| 31 | P0654031 | SWITCH |
| 32 | P0654032 | SWITCH COVER |
| 33 | P0654033 | CORD PLATE |
| 34 | P0654034 | SPECIAL SCREW M4-.7 X 20 |
| 35 | PFS03 | FLANGE SCREW 10-24 X 3/8 |
| 36 | PFS03 | FLANGE SCREW 10-24 X 3/8 |
| 37 | P0654037 | FRONT PANEL |
| 38 | P0654038 | BOTTOM PLATE |
| 39 | PFB01M | FLANGE BOLT M6-1 X 12 |
| 40 | PTLW02M | EXT TOOTH WASHER 5MM |
| 41 | PS05M | PHLP HD SCR M5-.8 X 8 |
| 42 | P0654042 | CABINET SUPPORT |
| 43 | P0654043 | RIGHT PANEL |
| 44 | PFS03 | FLANGE SCREW 10-24 X 3/8 |

| REF | PART # | DESCRIPTION |
|-------|-------------|-------------------------------|
| 45 | P0654045 | PUSH BLOCK HOLDER |
| 46 | P0654046 | BACK PANEL |
| 47 | P0654047 | MOTOR 1HP 110V |
| 47-1 | P0654047-1 | FAN COVER |
| 47-2 | P0654047-2 | FAN |
| 47-3 | P0654047-3 | S CAPACITOR COVER |
| 47-4 | PC200D | S CAP 200M 125V 1-1/4 X 2-3/4 |
| 47-5 | P0654047-5 | JUNCTION BOX |
| 48 | PK12M | KEY 5 X 5 X 30 |
| 49 | PVA36 | V-BELT A-36 4L360 |
| 50 | P0654050 | MOTOR PULLEY |
| 51 | PSS01M | SET SCREW M6-1 X 10 |
| 52 | P0654052 | POWER CORD 14AWG X 3C |
| 53 | P0654053 | SWITCH CORD 16AWG X 3C |
| 56 | PLN04M | LOCK NUT M8-1.25 |
| 57 | P0654057 | WHEEL |
| 58 | P0654058 | SLEEVE |
| 59 | PW01M | FLAT WASHER 8MM |
| 60 | PB86M | HEX BOLT M8-1.25 X 65 |
| 61 | PB18 | HEX BOLT 3/8-16 X 1 |
| 62 | PN08 | HEX NUT 3/8-16 |
| 63 | P0654063 | LEVELING FOOT |
| 64 | P0654064 | MOBILE BASE CHASSIS |
| 65 | P0654065 | PEDAL ASSEMBLY |
| 65-1 | PEC10M | E-CLIP 9MM |
| 65-2 | P0654065-2 | SPECIAL BOLT |
| 65-3 | P0654065-3 | SPECIAL FLAT WASHER |
| 65-4 | P0654065-4 | SHAFT |
| 65-5 | PB22M | HEX BOLT M8-1.25 X 50 |
| 65-6 | PW01M | FLAT WASHER 8MM |
| 65-7 | P0654065-7 | SPECIAL HEX NUT M8 |
| 65-8 | PN02M | HEX NUT M10-1.5 |
| 65-9 | PW04M | FLAT WASHER 10MM |
| 65-10 | PB45M | HEX BOLT M8-1.25 X 100 |
| 65-11 | PW01M | FLAT WASHER 8MM |
| 65-12 | P0654065-12 | TROLLEY WHEEL |
| 65-13 | P0654065-13 | SLEEVE |
| 65-14 | P0654065-14 | TROLLEY BRACKET |
| 65-15 | PW04M | FLAT WASHER 10MM |
| 65-16 | P0654065-16 | SPECIAL HEX NUT M10 |
| 65-17 | PB144M | HEX BOLT M10-1.5 X 55 |
| 65-18 | P0654065-18 | PEDAL BRACKET |
| 65-19 | P0654065-19 | PEDAL |



Table Parts Breakdown

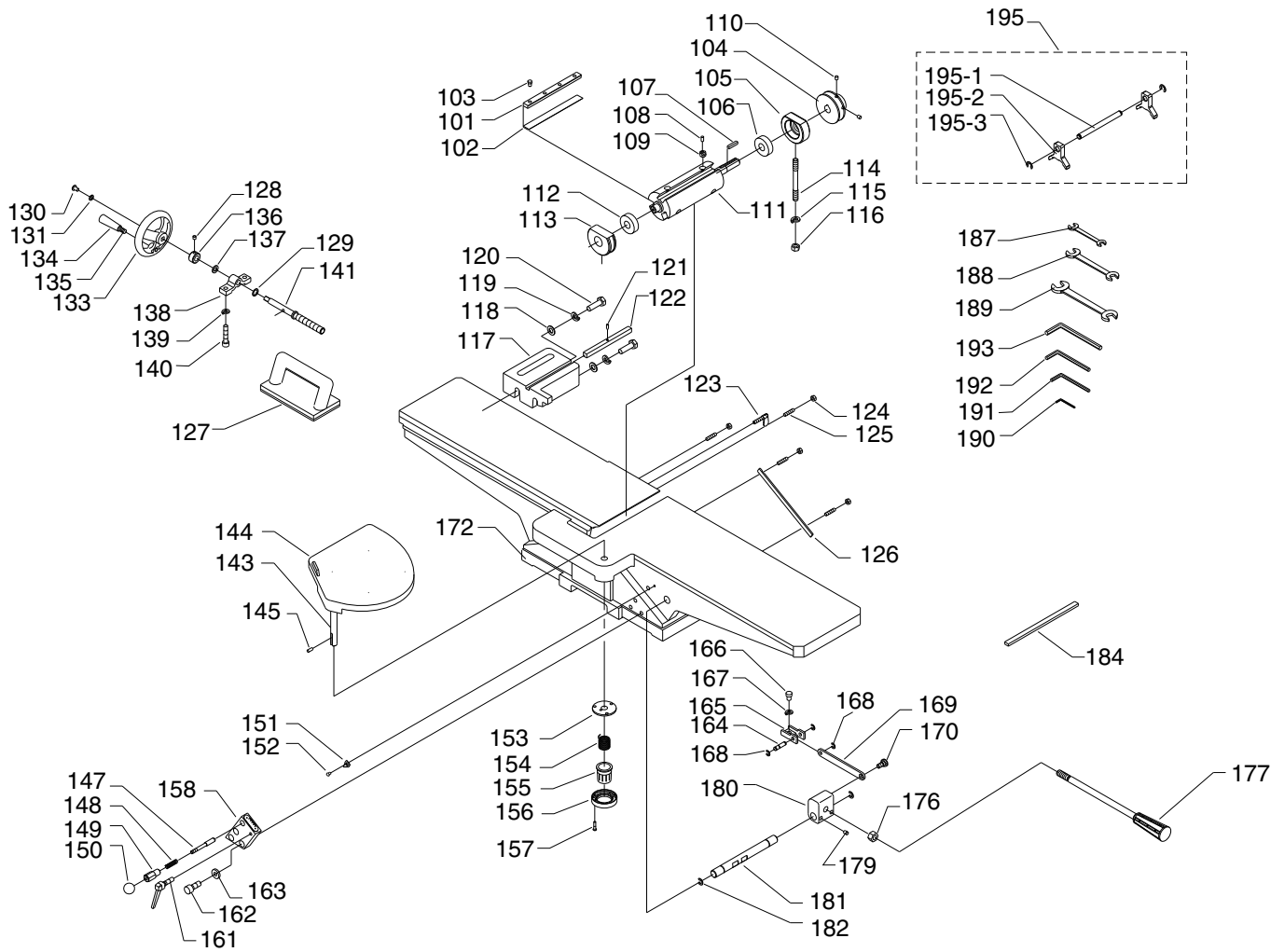


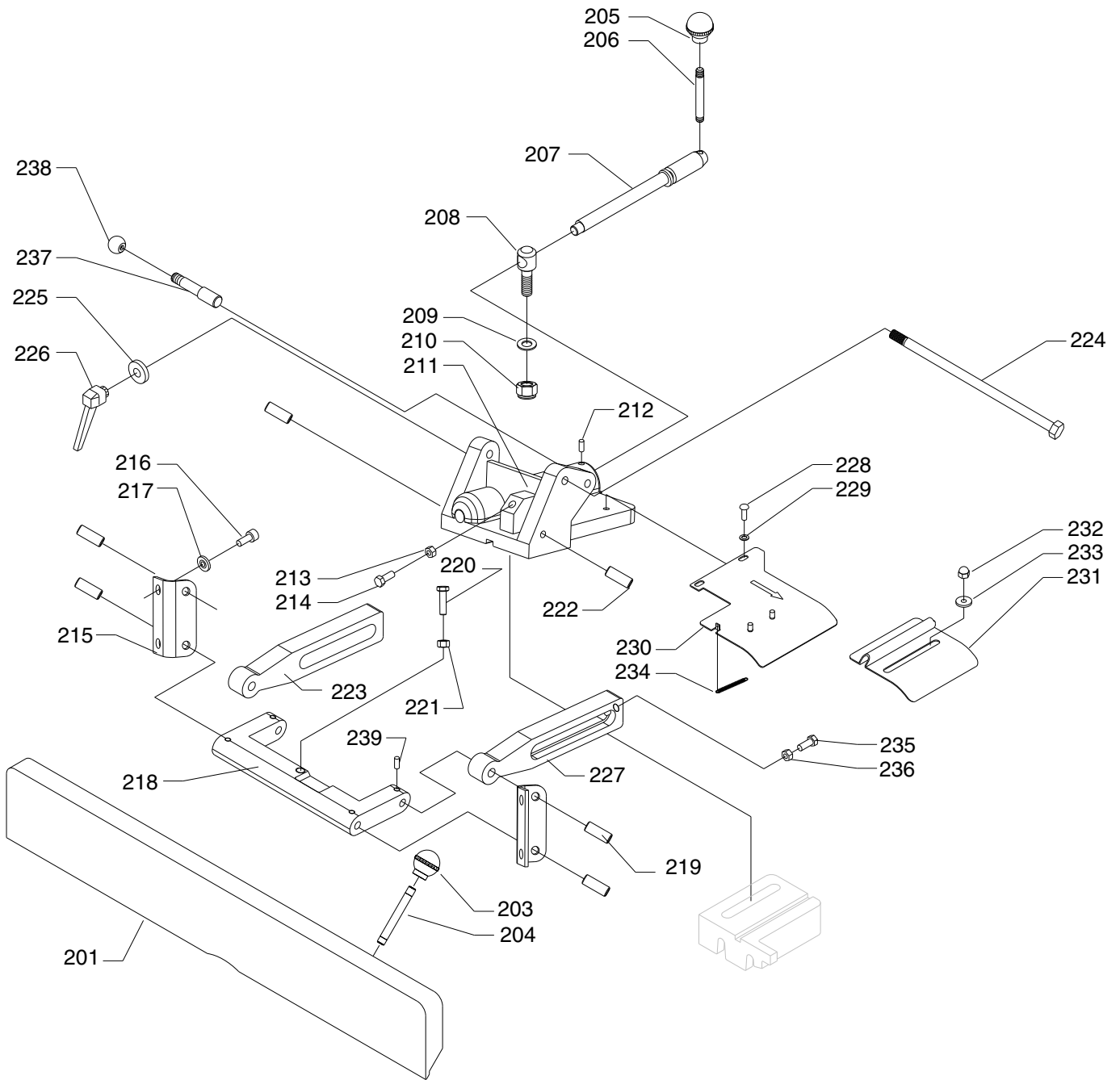
Table Parts List

| REF | PART # | DESCRIPTION |
|-----|----------|-----------------------------|
| 101 | P0654101 | GIB |
| 102 | P0654102 | KNIFE |
| 103 | P0654103 | GIB BOLT M6-.9 X 7 |
| 104 | P0654104 | CUTTERHEAD PULLEY |
| 105 | P0654105 | RIGHT HAND BEARING SUPPORT |
| 106 | P6203 | BALL BEARING 6203ZZ |
| 107 | PK12M | KEY 5 X 5 X 30 |
| 108 | PSS53M | SET SCREW M5-.8 X 12 |
| 109 | P0654109 | SPECIAL NUT |
| 110 | PSS01M | SET SCREW M6-1 X 10 |
| 111 | P0654111 | CUTTERHEAD |
| 112 | P6202 | BALL BEARING 6202ZZ |
| 113 | P0654113 | LEFT HAND BEARING SUPPORT |
| 114 | P0654114 | SPECIAL STUD |
| 115 | PLW06M | LOCK WASHER 10MM |
| 116 | PN02M | HEX NUT M10-1.5 |
| 117 | P0654117 | FENCE CARRIAGE |
| 118 | PW04M | FLAT WASHER 10MM |
| 119 | PLW06M | LOCK WASHER 10MM |
| 120 | PB01M | HEX BOLT M10-1.5 X 30 |
| 121 | PRP39M | ROLL PIN 4 X 20 |
| 122 | P0654122 | SPECIAL KEY 9.5 X 9.5 X 128 |
| 123 | P0654123 | LOCK SCREW ASSEMBLY |
| 124 | PN01M | HEX NUT M6-1 |
| 125 | PSS12M | SET SCREW M6-1 X 25 |
| 126 | P0654126 | GIB |
| 127 | P0654127 | PUSH BLOCK |
| 128 | PSS02M | SET SCREW M6-1 X 6 |
| 129 | P0654129 | SPECIAL WASHER |
| 130 | PS14M | PHLP HD SCR M6-1 X 12 |
| 131 | PW03M | FLAT WASHER 6MM |
| 133 | P0654133 | HANDWHEEL |
| 134 | P0654134 | HANDLE |
| 135 | P0654135 | SHOULDER SCREW |
| 136 | P0654136 | COLLAR |
| 137 | P0654137 | SPECIAL WASHER |
| 138 | P0654138 | BLOCK |
| 139 | PLW04M | LOCK WASHER 8MM |
| 140 | PSB05M | CAP SCREW M8-1.25 X 50 |
| 141 | P0654141 | SCREW SHAFT |
| 143 | P0654143 | GUARD SHAFT |
| 144 | P0654144 | GUARD |

| REF | PART # | DESCRIPTION |
|-------|------------|--------------------------------|
| 145 | PSS53M | SET SCREW M5-.8 X 12 |
| 147 | P0654147 | INDEX PIN M6-1 X 14 |
| 148 | P0654148 | COMPRESSION SPRING |
| 149 | P0654149 | PLUNGER HOUSING |
| 150 | P0654150 | BALL KNOB M6-1 |
| 151 | P0654151 | POINTER |
| 152 | PS17M | PHLP HD SCR M4-.7 X 6 |
| 153 | P0654153 | PLATE |
| 154 | P0654154 | TORSION SPRING |
| 155 | P0654155 | CUP |
| 156 | P0654156 | RETAINER |
| 157 | PS01M | PHLP HD SCR M4-.7 X 18 |
| 158 | P0654158 | BLOCK ASSEMBLY |
| 161 | P0654161 | LOCK LEVER M6-1 X 30 |
| 162 | PSBS23M | BUTTON HD CAP SCR M8-1.25 X 25 |
| 163 | PW01M | FLAT WASHER 8MM |
| 164 | P0654164 | ALIGNMENT PIN |
| 165 | P0654165 | BRACKET |
| 166 | PSB11M | CAP SCREW M8-1.25 X 16 |
| 167 | PLW04M | LOCK WASHER 8MM |
| 168 | PEC07M | E-CLIP 7MM |
| 169 | P0654169 | LINK |
| 170 | P0654170 | SPECIAL BOLT |
| 172 | P0654172 | JOINTER TABLE ASSEMBLY |
| 176 | PN09M | HEX NUT M12-1.75 |
| 177 | P0654177 | INFEED TABLE ADJUSTMENT LEVER |
| 179 | PSS20M | SET SCREW M8-1.25 X 8 |
| 180 | P0654180 | BLOCK |
| 181 | P0654181 | SHAFT |
| 182 | PEC12M | E-CLIP 12MM |
| 184 | P0654184 | SEAL |
| 187 | PWR810 | WRENCH 8 X 10 |
| 188 | PRW1214 | WRENCH 12 X 14 |
| 189 | PWR1417 | WRENCH 14 X 17 |
| 190 | PAW02.5M | HEX WRENCH 2.5MM |
| 191 | PAW03M | HEX WRENCH 3MM |
| 192 | PAW04M | HEX WRENCH 4MM |
| 193 | PAW06M | HEX WRENCH 6MM |
| 195 | P0654195 | KNIFE GAUGE ASSEMBLY |
| 195-1 | P0654195-1 | KNIFE GAUGE ROD |
| 195-2 | P0654195-2 | KNIFE GAUGE BLOCK |
| 195-3 | PEC015M | E-CLIP 8MM |



Fence Parts Breakdown



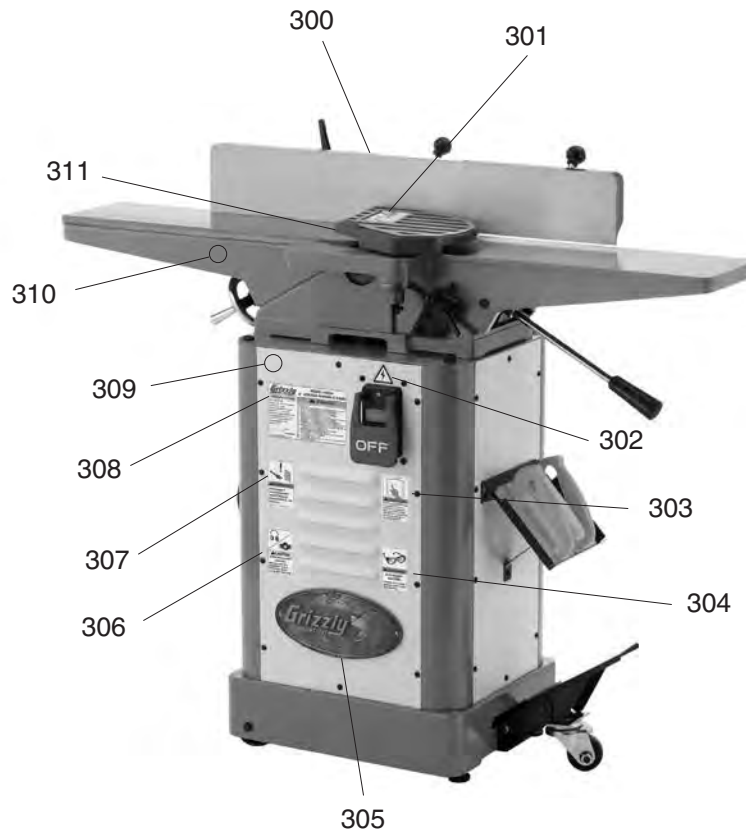
Fence Parts List

| REF | PART # | DESCRIPTION |
|-----|----------|---------------------------------|
| 201 | P0654201 | FENCE |
| 203 | P0654203 | BALL KNOB M10-1.5 |
| 204 | P0654204 | STUD M10-1.5 |
| 205 | P0654203 | BALL KNOB M10-1.5 |
| 206 | P0654204 | STUD M10-1.5 |
| 207 | P0654207 | FENCE LOCK HANDLE SHAFT |
| 208 | P0654208 | FENCE LOCK HANDLE BOLT M12-1.75 |
| 209 | PW06M | FLAT WASHER 12MM |
| 210 | P0654210 | SPECIAL NUT M12 |
| 211 | P0654211 | FENCE SLIDE BRACKET |
| 212 | PSS04M | SET SCREW M6-1 X 12 |
| 213 | PN03M | HEX NUT M8-1.25 |
| 214 | PB26M | HEX BOLT M8-1.25 X 30 |
| 215 | P0654215 | BRACKET |
| 216 | PSB155M | CAP SCREW M8-1.25 X 14 |
| 217 | PW01M | FLAT WASHER 8MM |
| 218 | P0654218 | SUPPORT BRACKET |
| 219 | P0654219 | ALIGNMENT PIN 7 X 24 |
| 220 | PB26M | HEX BOLT M8-1.25 X 30 |

| REF | PART # | DESCRIPTION |
|-----|----------|-----------------------|
| 221 | PN03M | HEX NUT M8-1.25 |
| 222 | P0654222 | ALIGNMENT PIN 7 X 24 |
| 223 | P0654223 | LEFT BRACKET |
| 224 | P0654224 | SPECIAL SCREW M8-1.25 |
| 225 | P0654225 | SPECIAL FLAT WASHER |
| 226 | P0654226 | LEVER ASSY M8-1.25 |
| 227 | P0654227 | RIGHT BRACKET |
| 228 | PS14M | PHLP HD SCR M6-1 X 12 |
| 229 | PW03M | FLAT WASHER 6MM |
| 230 | P0654230 | REAR GUARD BASE |
| 231 | P0654231 | REAR GUARD TOP |
| 232 | PN35M | ACORN NUT M6-1 |
| 233 | PW03M | FLAT WASHER 6MM |
| 234 | P0654234 | EXTENSION SPRING |
| 235 | PB10M | HEX BOLT M6-1 X 25 |
| 236 | PN01M | HEX NUT M6-1 |
| 237 | P0654237 | SHAFT LOCK M6-1 |
| 238 | P0654238 | BALL KNOB M6-1 |
| 239 | PSS26M | SET SCREW M5-.8 X 6 |



Label Placement



| REF | PART # | DESCRIPTION |
|-----|------------|-------------------------------|
| 300 | P0654300 | FENCE/CUTTERHEAD LABEL |
| 301 | PLABEL-29 | CUTTERHEAD GUARD LABEL |
| 302 | PLABEL-14 | ELECTRICITY LABEL |
| 303 | PLABEL-12A | READ MANUAL -VERTICAL NS 7/05 |
| 304 | PLABEL-11 | SAFETY GLASSES 2" X 3-5/16" |
| 305 | G8588 | SMALL GRIZZLY NAMEPLATE |

| REF | PART # | DESCRIPTION |
|-----|-----------|------------------------------|
| 306 | P0654306 | EAR PROTECTION/RESPIRATOR |
| 307 | P0654307 | UNPLUG 110V POWER |
| 308 | P0654308 | MACHINE ID LABEL |
| 309 | PPAINT-11 | PUTTY TOUCH-UP PAINT |
| 310 | P-PAINT1 | GRIZZLY GREEN TOUCH-UP PAINT |
| 311 | P0654311 | RED TOUCH-UP PAINT |

WARNING

Safety labels warn about machine hazards and ways to prevent injury. The owner of this machine **MUST** maintain the original location and readability of the labels on the machine. If any label is removed or becomes unreadable, **REPLACE** that label before using the machine again. Contact Grizzly at (800) 523-4777 or www.grizzly.com to order new labels.

