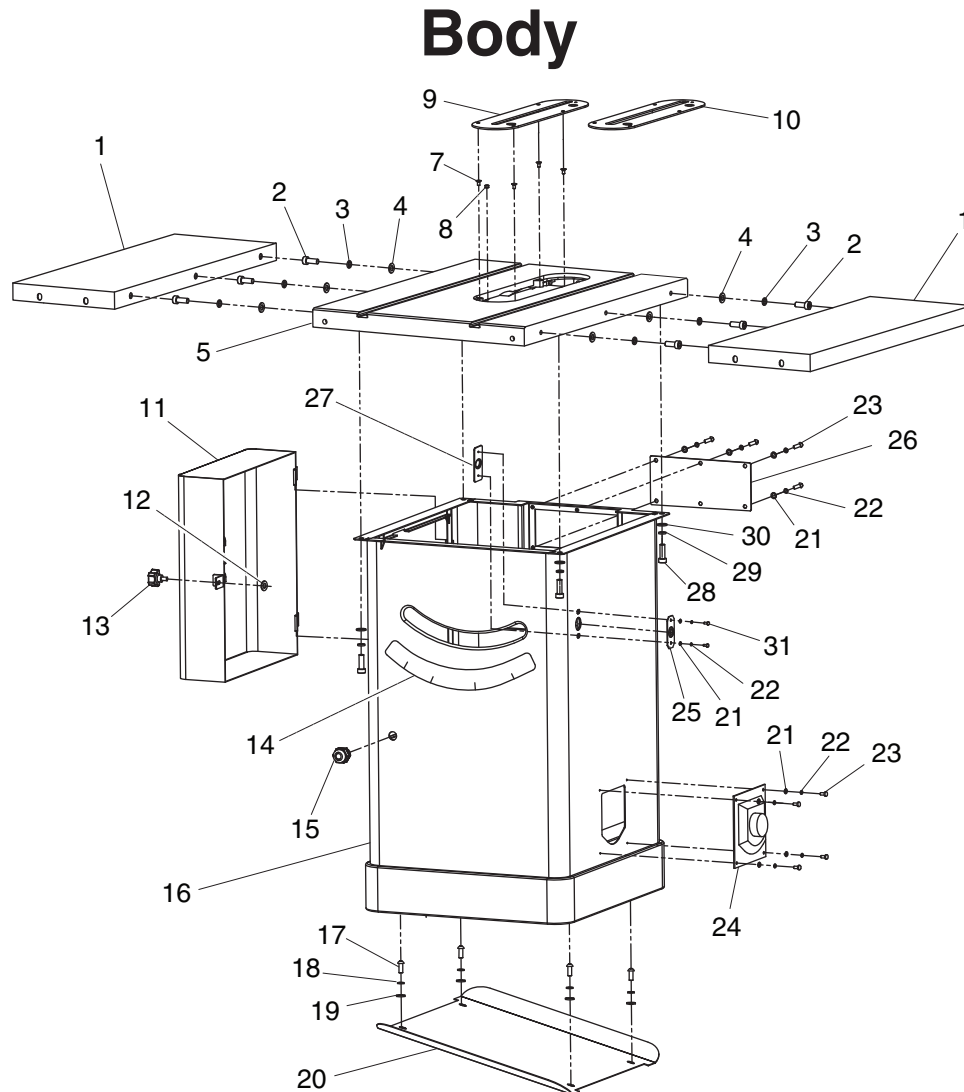


SECTION 10: PARTS

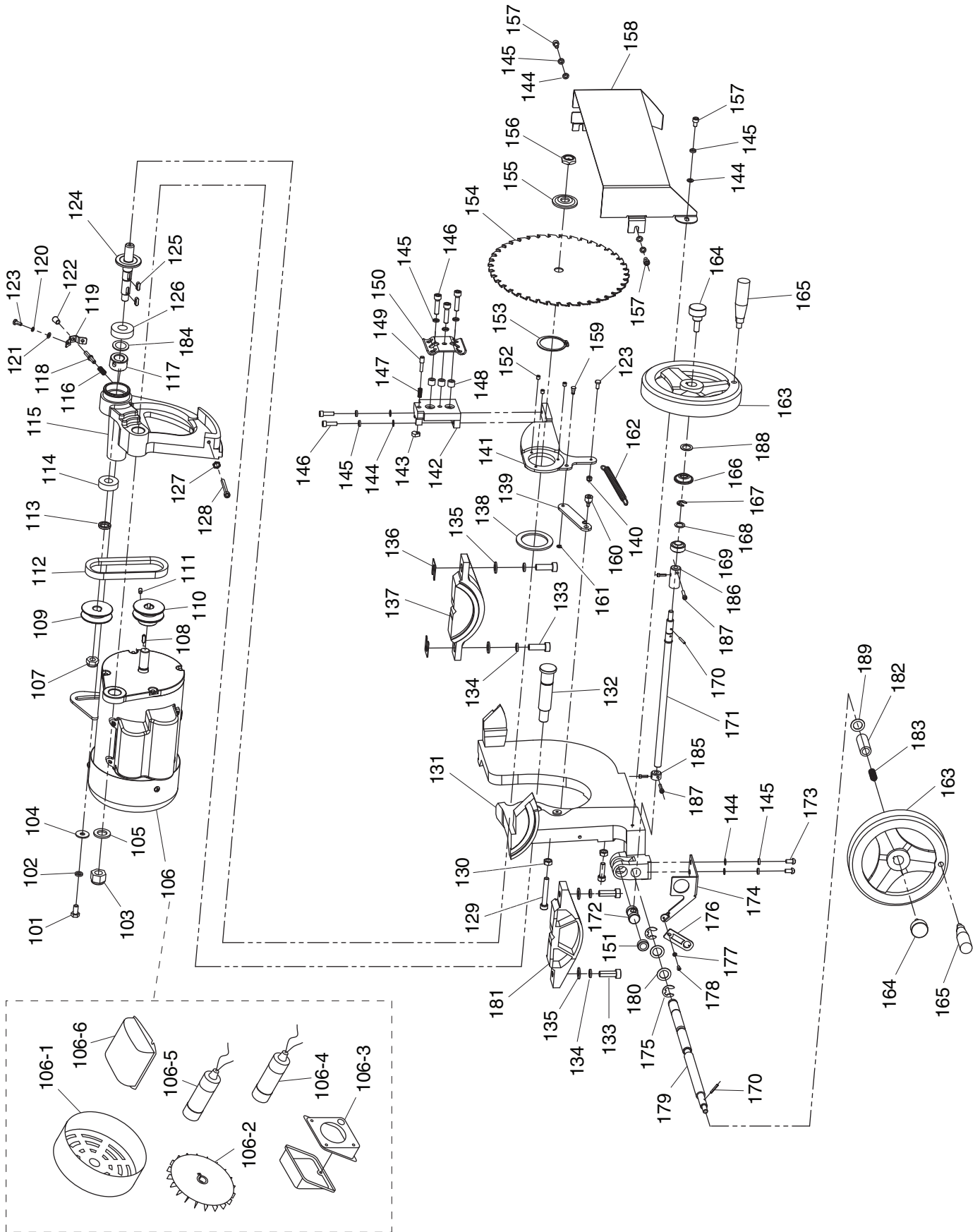


REF	PART #	DESCRIPTION
1	P0715P001	EXTENSION WING
2	PCAP88M	CAP SCREW M10-1.25 X 25
3	PLW06M	LOCK WASHER 10MM
4	PW04M	FLAT WASHER 10MM
5	P0715P005	TABLE
7	PFH07M	FLAT HD SCR M5-.8 X 10
8	P0715P008	MAGNET
9	P0715P009	STANDARD TABLE INSERT
10	P0715P010	DADO TABLE INSERT
11	P0715P011	MOTOR COVER
12	PTLW13M	INT TOOTH WASHER 6MM
13	P0715P013	KNOB BOLT M6-1
14	P0715P014	TILT SCALE
15	P0715P015	STRAIN RELIEF
16	P0715P016	CABINET STAND

REF	PART #	DESCRIPTION
17	PS14M	PHLP HD SCR M6-1 X 12
18	PLW03M	LOCK WASHER 6MM
19	PWF06M	FENDER WASHER 6MM
20	P0715P020	BASE PLATE
21	PW02M	FLAT WASHER 5MM
22	PLW01M	LOCK WASHER 5MM
23	PCAP33M	CAP SCREW M5-.8 X 12
24	P0715P024	DUST HOOD 4"
25	P0715P025	LEADSCREW EXTERNAL BRACKET
26	P0715P026	CABINET REAR ACCESS PANEL
27	P0715P027	LEADSCREW INTERNAL BRACKET
28	PCAP31M	CAP SCREW M8-1.25 X 25
29	PLW04M	LOCK WASHER 8MM
30	PW01M	FLAT WASHER 8MM
31	PCAP15M	CAP SCREW M5-.8 X 20



Trunnion



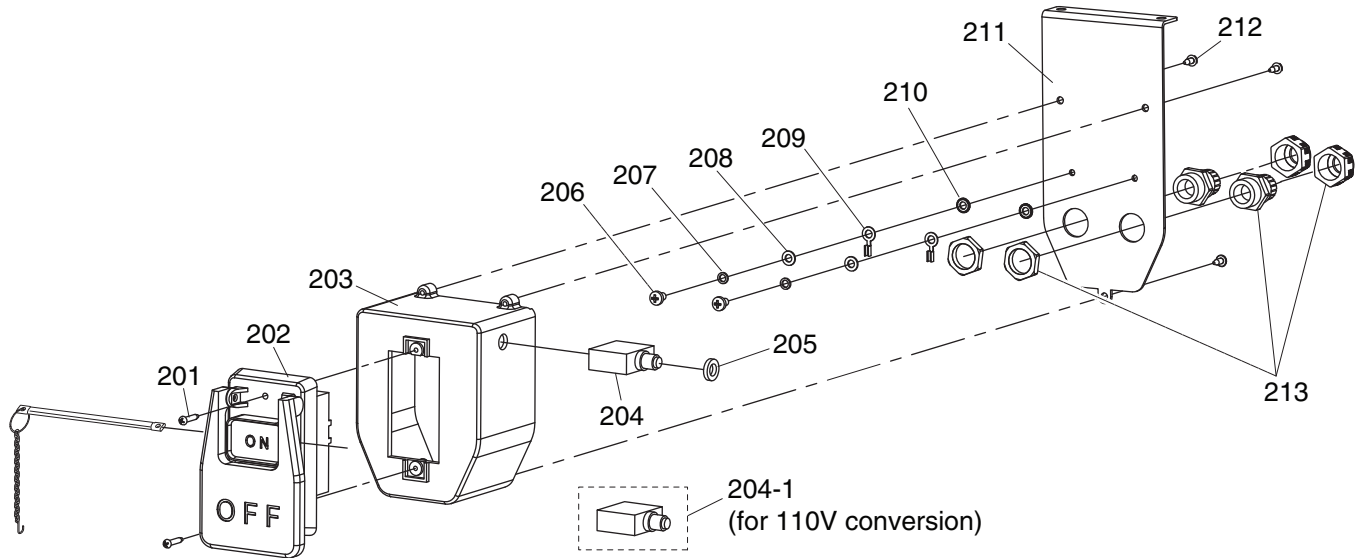
Trunnion Parts List

REF	PART #	DESCRIPTION
101	PB03M	HEX BOLT M8-1.25 X 16
102	PLW04M	LOCK WASHER 8MM
103	PLN07M	LOCK NUT M16-2
104	PWF08M	FENDER WASHER 8MM
105	PW08M	FLAT WASHER 16MM
106	P0715P106	MOTOR 2HP 110/220V 1PH
106-1	P0715P106-1	MOTOR FAN COVER
106-2	P0715P106-2	MOTOR FAN
106-3	P0715P106-3	MOTOR JUNCTION BOX
106-4	P0715P106-4	R CAPACITOR 60M 300V 1-3/4 X 4
106-5	P0715P106-5	S CAP. 200M 250V 1-3/4 X 2-1/2
106-6	P0715P106-6	CAPACITOR COVER
107	PLN09M	LOCK NUT M12-1.75
108	PK07M	KEY 6 X 6 X 20
109	P0715P109	ARBOR PULLEY
110	P0715P110	MOTOR PULLEY
111	PSS01M	SET SCREW M6-1 X 10
112	P0715P112	RIBBED V-BELT 6PJ-365
113	P0715P113	ARBOR BUSHING
114	P6202-2RS	BALL BEARING 6202-2RS
115	P0715P115	MOTOR MOUNT
116	P0715P116	COMPRESSION SPRING
117	P0715P117	ARBOR LOCK BUSHING
118	P0715P118	ARBOR LOCK PIN
119	P0715P119	BEVEL STOP SUPPORT
120	PW02M	FLAT WASHER 5MM
121	PLW01M	LOCK WASHER 5MM
122	P0715P122	ARBOR LOCK PIN KNOB
123	PS08M	PHLP HD SCR M5-.8 X 12
124	P0715P124	ARBOR
125	PK20M	KEY 5 X 5 X 15
126	P6203-2RS	BALL BEARING 6203 2RS
127	PN01M	HEX NUT M6-1
128	PCAP29M	CAP SCREW M6-1 X 40
129	PCAP90M	CAP SCREW M10-1.5 X 55
130	PN02M	HEX NUT M10-1.5
131	P0715P131	MAIN TRUNNION
132	P0715P132	MOTOR MOUNT PIVOT SHAFT
133	PB177M	HEX BOLT M10-1.25 X 30
134	PLW06M	LOCK WASHER 10MM
135	PW04M	FLAT WASHER 10MM
136	P0715P136	TABLE SHIM
137	P0715P137	REAR TRUNNION
138	P0715P138	SPACER
139	P0715P139	SPRING BRACKET
140	PLN02M	LOCK NUT M5-.8
141	P0715P141	ARBOR SUPPORT
142	P0715P142	RIVING KNIFE MOUNT

REF	PART #	DESCRIPTION
143	P0715P143	LOCK PIN CAM
144	PW03M	FLAT WASHER 6MM
145	PLW03M	LOCK WASHER 6MM
146	PCAP02M	CAP SCREW M6-1 X 20
147	P0715P147	COMPRESSION SPRING
148	P0715P148	SPACER
149	P0715P149	LOCK PIN
150	P0715P150	RIVING KNIFE CLAMP PLATE
151	P0715P151	LOCK COLLAR
152	PSS26M	SET SCREW M5-.8 X 6
153	PR32M	EXT RETAINING RING 48MM
154	P0715P154	SAW BLADE 10" X 40T 5/8" ARBOR
155	P0715P155	ARBOR FLANGE
156	P0715P156	ARBOR NUT
157	PCAP04M	CAP SCREW M6-1 X 10
158	P0715P158	LOWER BLADE GUARD
159	P0715P159	GROOVED CAPTIVE PIN
160	P0715P160	SPRING RETAINING SCREW
161	PEC02M	E-CLIP 4MM
162	P0715P162	TENSION SPRING
163	P0715P163	HANDWHEEL
164	P0715P164	HANDWHEEL LOCK KNOB
165	P0715P165	HANDWHEEL HANDLE
166	P0715P166	BEVELED BUSHING
167	PEC10M	E-CLIP 9MM
168	P0715P168	SPACER
169	P0715P169	TILT LEADSCREW BEARING
170	PRP42M	ROLL PIN 3 X 20
171	P0715P171	TILT LEADSCREW
172	P0715P172	TILT LEADSCREW NUT
173	PS14M	PHLP HD SCR M6-1 X 12
174	P0715P174	POINTER BRACKET
175	PEC12M	E-CLIP 12MM
176	P0715P176	POINTER
177	PW05M	FLAT WASHER 4MM
178	PS07M	PHLP HD SCR M4-.7 X 8
179	P0715P179	ELEVATION SHAFT
180	P0715P180	SPACER
181	P0715P181	FRONT TRUNNION
182	P0715P182	ELEVATION SHAFT BUSHING
183	P0715P183	COMPRESSION SPRING
184	P0715P184	WAVE WASHER
185	P0715P185	LOCK COLLAR 90 DEG
186	P0715P186	LOCK COLLAR 45 DEG
187	PCAP24M	CAP SCREW M5-.8 X 16
188	P0715P188	TILT LEADSCREW SPACER
189	P0715P189	ELEVATION SHAFT SPACER



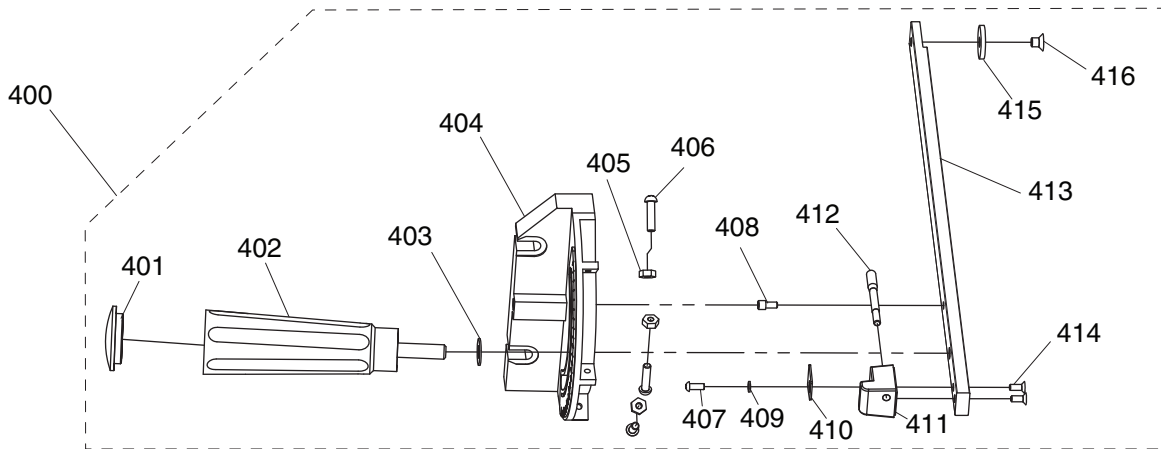
Power Switch



REF	PART #	DESCRIPTION
201	PHTEK44M	TAP SCREW M3.5 X 19
202	P0715P202	ON/OFF PADDLE SWITCH W/PIN
203	P0715P203	SWITCH BOX
204	P0715P204	CIRCUIT BREAKER 10A 220V
204-1	P0715P204-1	CIRCUIT BREAKER 20A 110V
205	P0715P205	CIRCUIT BREAKER NUT
206	PS05M	PHLP HD SCR M5-.8 X 8

REF	PART #	DESCRIPTION
207	PLW01M	LOCK WASHER 5MM
208	PW02M	FLAT WASHER 5MM
209	P0715P209	CLAMP-ON TERMINAL RING
210	PTLW02M	EXT TOOTH WASHER 5MM
211	P0715P211	SWITCH BRACKET
212	PHTEK18M	TAP SCREW M3.5 X 10
213	P0715P213	STRAIN RELIEF

Miter Gauge



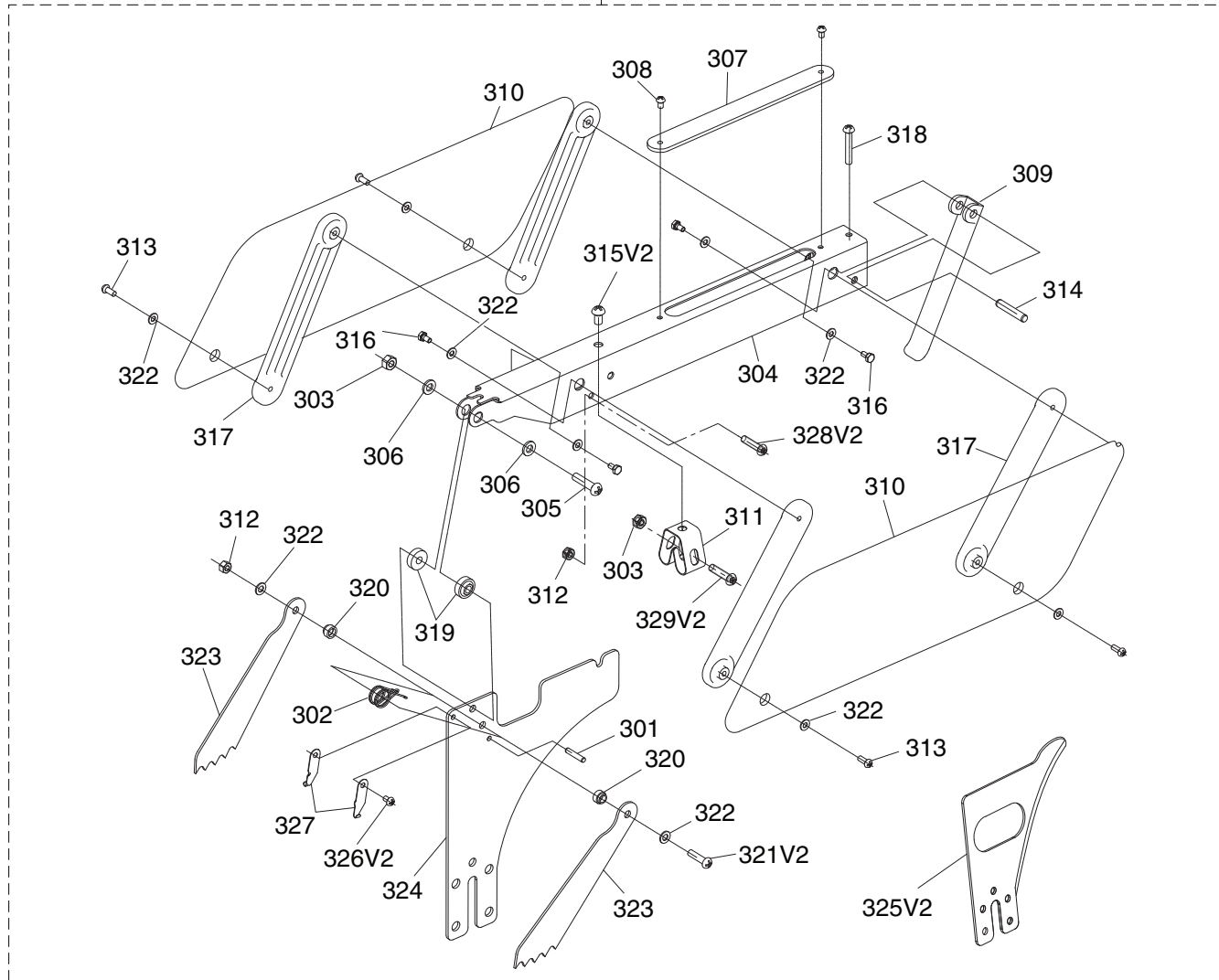
REF	PART #	DESCRIPTION
400	P0715P400	MITER GAUGE ASSEMBLY
401	P0715P401	HANDLE PLUG
402	P0715P402	HANDLE
403	P0715P403	SPACER
404	P0715P404	MITER GAUGE BODY
405	PN06M	HEX NUT M5-.8
406	PS06M	PHLP HD SCR M5-.8 X 20
407	PS38M	PHLP HD SCR M4-.7 X 10
408	P0715P408	PIVOT PIN

REF	PART #	DESCRIPTION
409	PW05M	FLAT WASHER 4MM
410	P0715P410	POINTER
411	P0715P411	STOP BLOCK
412	P0715P412	STOP PIN
413	P0715P413	MITER BAR
414	PFH19M	FLAT HD SCR M4-.7 X 10
415	P0715P415	T-SLOT WASHER
416	PFH04M	FLAT HD SCR M6-1 X 8



Blade Guard

300V2

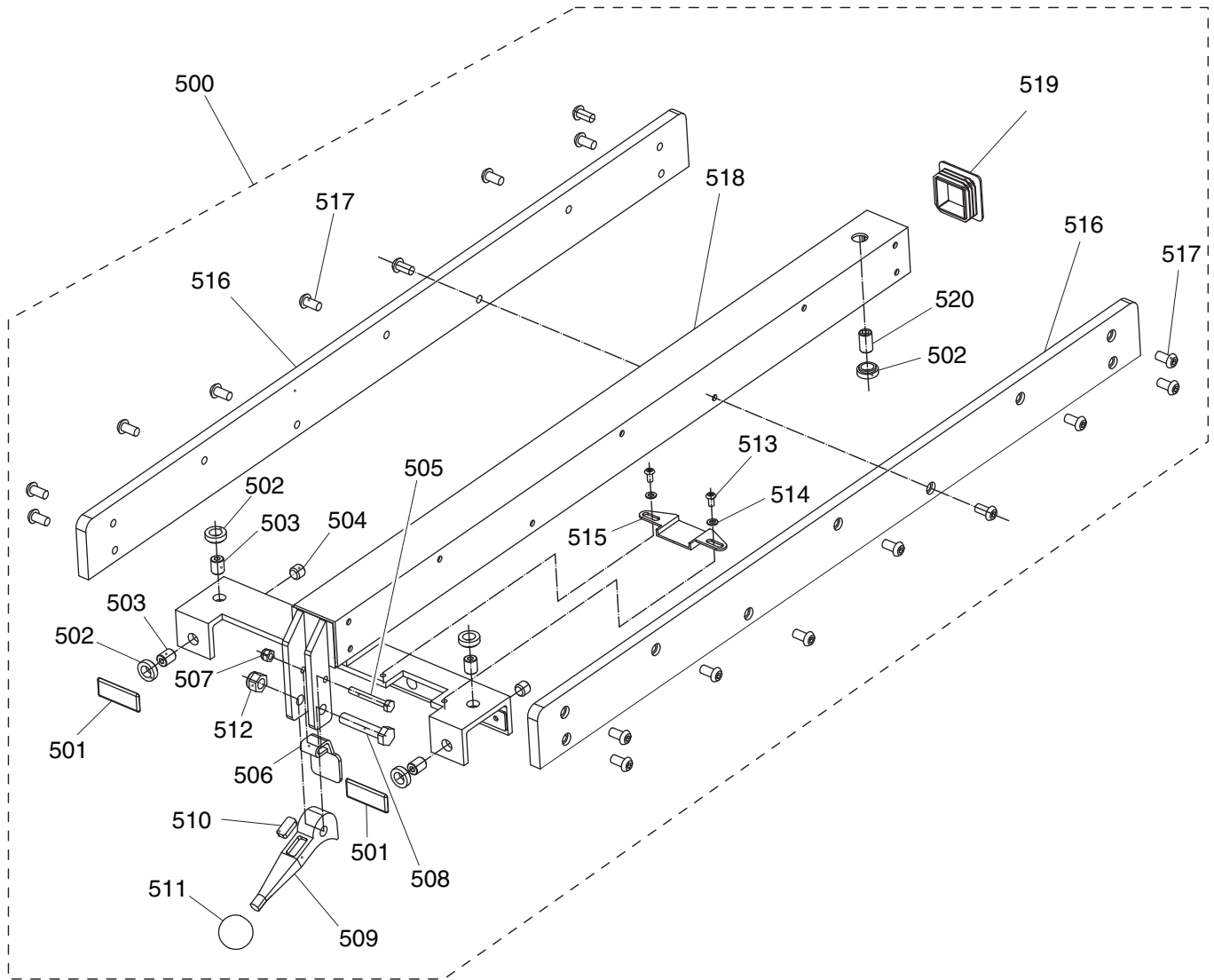


REF	PART #	DESCRIPTION
300V2	P0715P300V2	BLADE GUARD ASSEMBLY V2.11.10
301	PRP39M	ROLL PIN 4 X 20
302	P0690319	TORSION SPRING
303	PLN03M	LOCK NUT M6-1
304	P0690322V2	SUPPORTING ARM
305	PS47M	PHLP HD SCR M6-1 X 25
306	PW03M	FLAT WASHER 6MM
307	P0690326	TOP GUARD
308	PS17M	PHLP HD SCR M4-.7 X 6
309	P0690328	FRONT GUARD PLASTIC
310	P0690331V2	SIDE GUARD PLASTIC
311	P0690356	GUARD CLAMP
312	PLN02M	LOCK NUT M5-.8
313	PS38M	PHLP HD SCR M4-.7 X 10
314	PRP107M	ROLL PIN 6 X 32

REF	PART #	DESCRIPTION
315V2	P0690354V2	RIVET 5 X 12MM V2.11.10
316	PB122M	HEX BOLT M4-.7 X 8
317	P0690332V2	GUARD SUPPORT
318	PS62M	PHLP HD SCR M6-1 X 30
319	P0690342V2	SUPPORT ARM SPACER
320	P0690345	PAWL SPACER
321V2	PB42M	HEX BOLT M5-.8 X 20
322	PW02M	FLAT WASHER 5MM
323	P0690349	PAWL
324	P0690350	SPLITTER
325V2	P0715P325V2	RIVING KNIFE V2.04.11
326V2	P0690352V2	RIVET V2.11.10
327	P0690353	RIVING KNIFE HOOK PLATE
328V2	PB11M	HEX BOLT M5-.8 X 8
329V2	PS31M	PHLP HD SCR M6-1 X 35



Fence

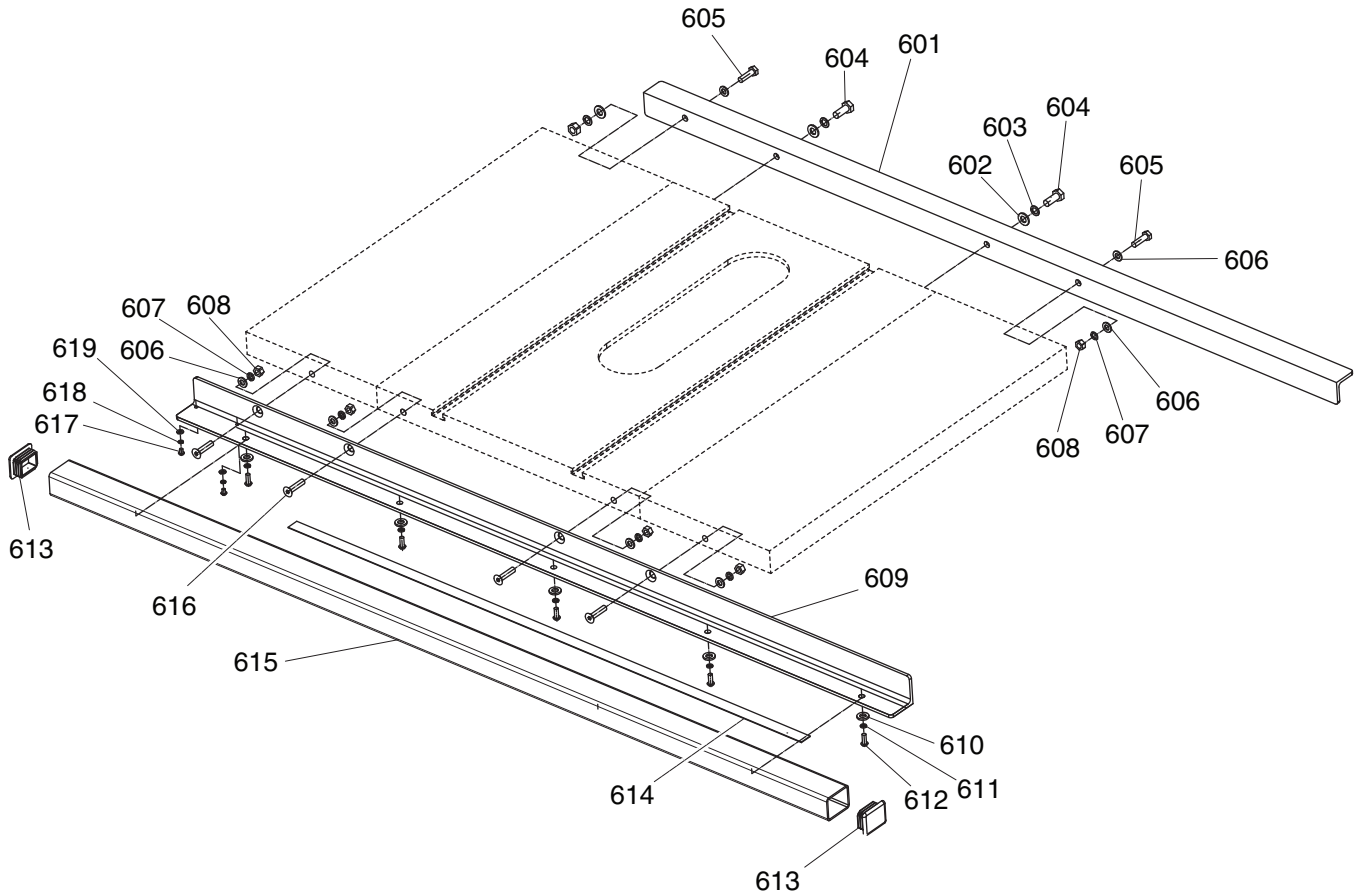


REF	PART #	DESCRIPTION
500	P0715P500	RIP FENCE ASSEMBLY
501	P0715P501	GLIDE PAD
502	P0715P502	ROUND LOCK NUT M12-1.75
503	P0715P503	ADJUSTMENT SCREW M12-1.75 X 16
504	P0690511	SET SCREW M12-1 X 10
505	PB47M	HEX BOLT M6-1 X 40
506	P0715P506	LOCK FOOT
507	PLN03M	LOCK NUT M6-1
508	PB22M	HEX BOLT M8-1.25 X 50
509	P0715P509	FENCE LOCK LEVER
510	P0715P510	MAGNET

REF	PART #	DESCRIPTION
511	P0715P511	BALL KNOB
512	PLN10M	LOCK NUT M10-1.25
513	PS22M	PHLP HD SCR M5-.8 X 25
514	PLW01M	LOCK WASHER 5MM
515	P0715P515	FENCE SCALE WINDOW
516	P0715P516	FENCE FACE
517	PS11M	PHLP HD SCR M6-1 X 16
518	P0715P518	FENCE BASE
519	P0715P519	FENCE BASE END CAP 50 X 50MM
520	P0715P520	ADJUSTMENT SCREW M12-1.75 X 30



Rails

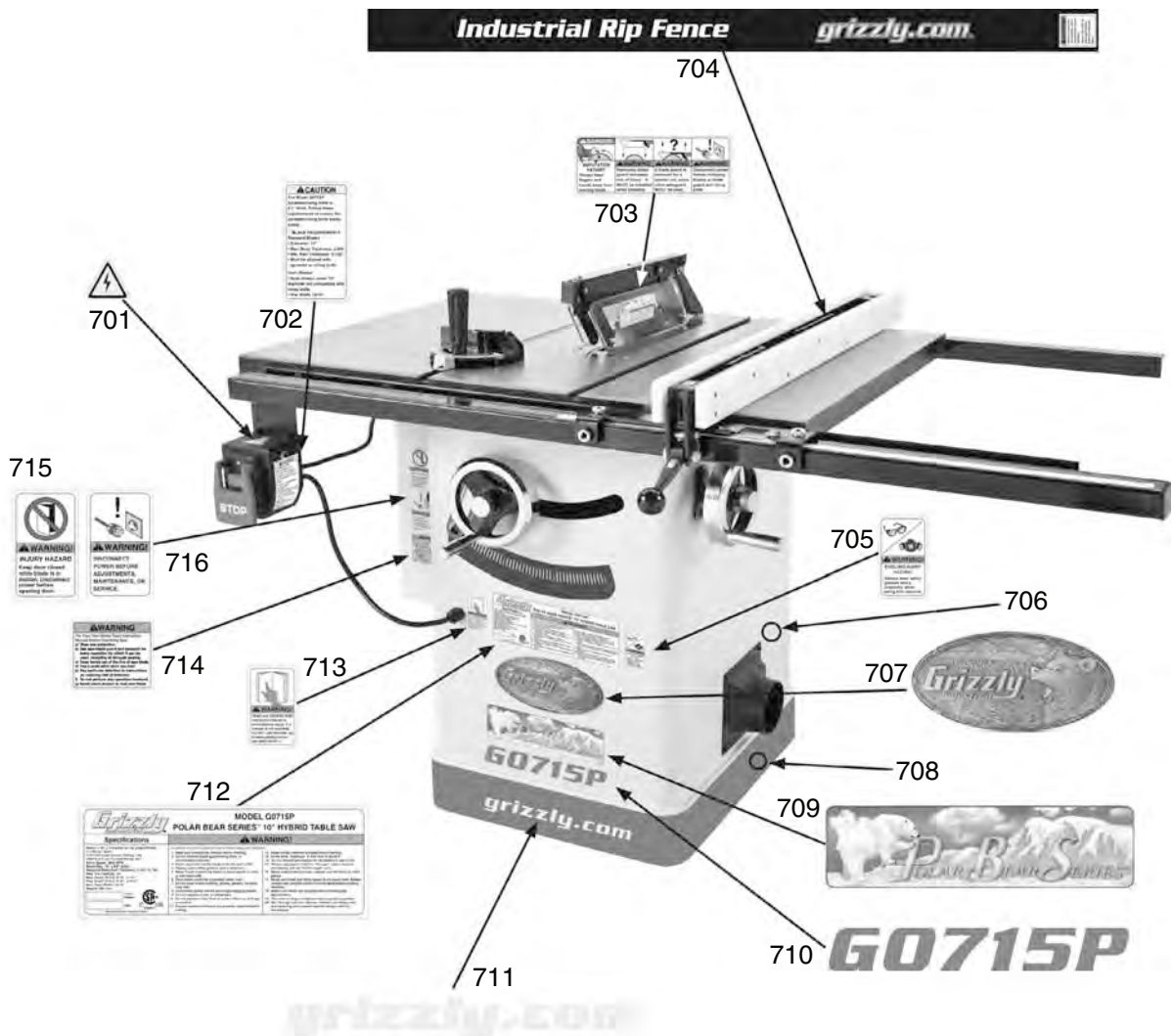


REF	PART #	DESCRIPTION
601	P0715P601	REAR RAIL
602	PW04M	FLAT WASHER 10MM
603	PLW06M	LOCK WASHER 10MM
604	PCAP64M	CAP SCREW M10-1.5 X 25
605	PCAP40M	CAP SCREW M8-1.25 X 35
606	PW01M	FLAT WASHER 8MM
607	PLW04M	LOCK WASHER 8MM
608	PN03M	HEX NUT M8-1.25
609	P0715P609	FRONT RAIL
610	PW03M	FLAT WASHER 6MM

REF	PART #	DESCRIPTION
611	PLW03M	LOCK WASHER 6MM
612	PCAP01M	CAP SCREW M6-1 X 16
613	P0715P613	GUIDE TUBE END CAP 40 X 50MM
614	P0715P614	FENCE SCALE
615	P0715P615	FENCE GUIDE TUBE
616	PFH36M	FLAT HD SCR M8-1.25 X 35
617	PCAP33M	CAP SCREW M5-.8 X 12
618	PW02M	FLAT WASHER 5MM
619	PLW01M	LOCK WASHER 5MM



Machine Labels



REF	PART #	DESCRIPTION
701	PLABEL-14A	ELECTRICITY LABEL
702	P0715P702	RIVING KNIFE PRECAUTIONS LABEL
703	PLABEL-76	BLADE GUARD LABEL
704	P0715P704	RIP FENCE LABEL
705	PLABEL-57	EYE/LUNG HAZARD LABEL
706	PPAINT-24	PB WHITE TOUCH-UP PAINT
707	G8588	GRIZZLY NAMEPLATE
708	P0715P708	GRIZZLY GREEN TAPE

REF	PART #	DESCRIPTION
709	PLABEL-75	POLAR BEAR LOGO LABEL
710	P0715P710	MODEL NUMBER LABEL
711	PLABEL-77	GRIZZLY.COM PB LABEL
712	P0715P712	MACHINE ID LABEL
713	PLABEL-12A	READ MANUAL LABEL
714	PLABEL-78	TABLE SAW WARNING LABEL
715	PLABEL-79A	MOTOR DOOR WARNING LABEL
716	PLABEL-63	DISCONNECT POWER LABEL

CAUTION

Safety labels warn about machine hazards and ways to prevent injury. The owner of this machine **MUST** maintain the original location and readability of the labels on the machine. If any label is removed or becomes unreadable, **REPLACE** that label before using the machine again. Contact Grizzly at (800) 523-4777 or www.grizzly.com to order new labels.

