

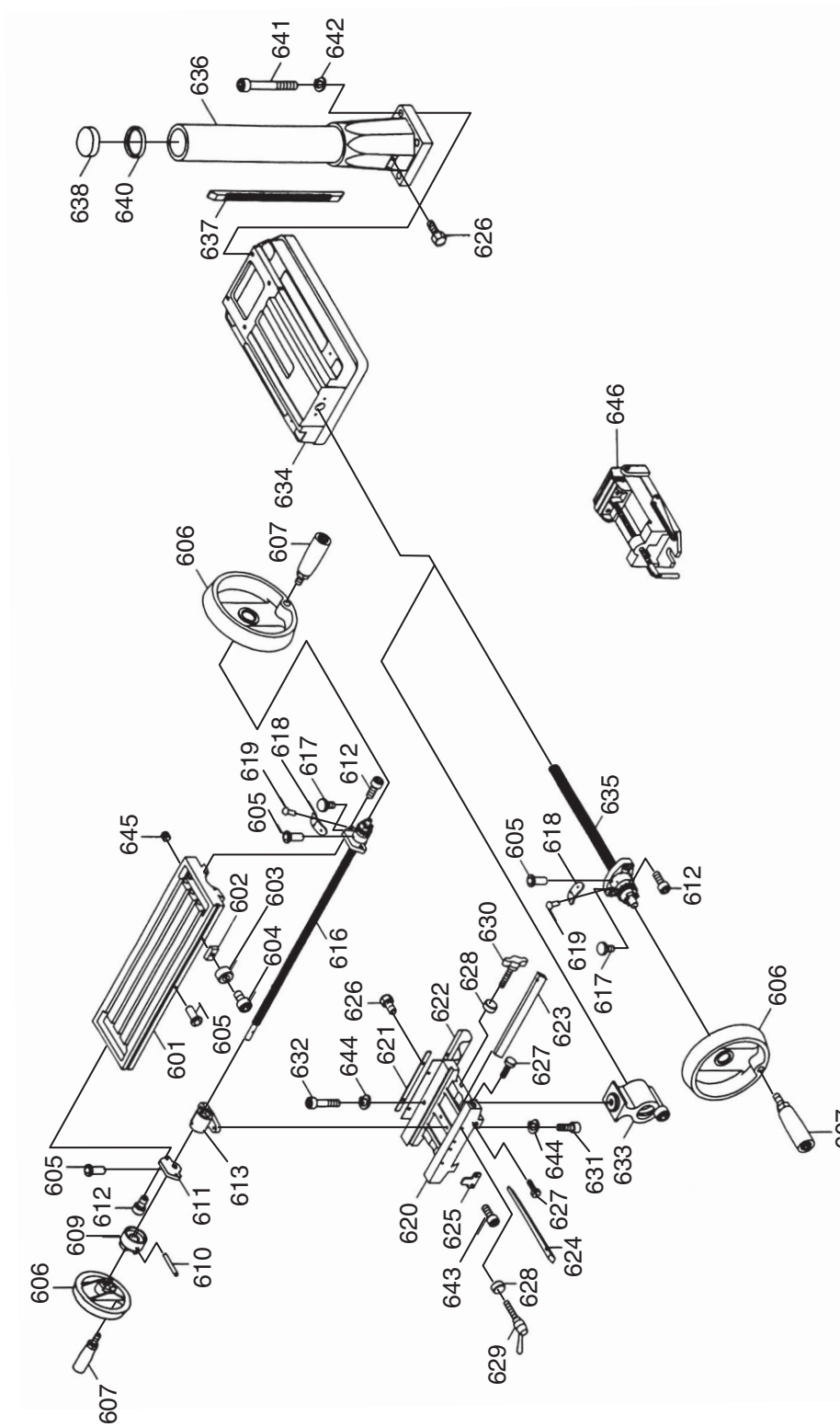
G1005Z Main Assembly Parts List

| REF | PART # | DESCRIPTION |
|------|-------------|------------------------------|
| 1 | P1005001 | HEAD BODY |
| 2 | P1005002 | CHUCK ARBOR BOLT 7/16-20 |
| 3 | P1005003 | SPINDLE LOCKNUT 34 X 16 |
| 4 | P1005004 | SPINDLE PULLEY |
| 5 | P1005005 | OUTER BEARING PLATE |
| 6 | PS04 | PHLP HD SCR 1/4-20 X 1/2 |
| 7 | P1005007 | SPINDLE TAPER SLEEVE SET |
| 7-1 | P1005007-1 | SPINDLE TAPER SLEEVE |
| 7-2 | P6007 | BALL BEARING 6007ZZ |
| 7-3 | P1005007-3 | WASHER 60 X 55 X 16 |
| 7-4 | PR12M | EXT RETAINING RING 35MM |
| 8 | P1005Z008 | EXT RETAINING RING 61MM |
| 9 | P1005Z009 | RUBBER SEAL |
| 10 | P1005010 | RACK SLEEVE SET |
| 10-1 | P1005010-1 | SPANNER NUT 24.5-20 |
| 10-2 | P1005Z010-2 | EXT TOOTH WASHER 25 |
| 10-3 | P30205 | TAPERED ROLLER BEARING 30205 |
| 10-4 | P1005Z010-4 | RACK SLEEVE |
| 10-5 | P30206 | TAPERED ROLLER BEARING 30206 |
| 10-6 | P1005010-6 | SPINDLE SHAFT |
| 10-7 | P1005010-7 | BEARING CAP |
| 11 | P1005011 | FEED BASE |
| 12 | PB10 | HEX BOLT 1/4-20 X 2 |
| 13 | PN05 | HEX NUT 1/4-20 |
| 15 | P1005015 | CHUCK ARBOR R8 W7/16-20 |
| 16 | P1005016 | CUTTER ARBOR R8 W7/16-20 |
| 17 | PN08 | HEX NUT 3/8-16 |
| 18 | P1005018 | GRADUATED ROD SET |
| 19 | PN01 | HEX NUT 1/2-20 |
| 20 | P1005020 | PINION SHAFT |
| 21 | PFH08 | FLAT HD SCR 10-24 X 1/2 |
| 22 | PK25M | KEY 7 X 7 X 20 |
| 23 | P1005023 | FEED COVER SET |
| 23-1 | P1005023-1 | FEED COVER |
| 23-2 | P1005023-2 | WORM SHAFT |
| 23-3 | P6202 | BALL BEARING 6202ZZ |
| 23-4 | PR05M | EXT RETAINING RING 15MM |
| 23-5 | P1005Z023-5 | SPACER 34 X 28 |
| 24 | P1005024 | WORM COVER |
| 25 | PS06 | PHLP HD SCR 10-24 X 3/8 |
| 26 | P1005Z026 | MICRO ADJUSTING INDICATOR |
| 28 | P1005Z028 | HANDWHEEL ASSEMBLY |
| 30 | PSB07 | CAP SCREW 5/16-18 X 3/4 |
| 31 | P1005031 | WORM GEAR |
| 32 | P1005Z032 | COMPRESSION SPRING 11/16 X 1 |
| 33 | P1005Z033 | PINION HUB |
| 34 | P1005Z034 | PINION HUB CAP |
| 35 | P1005Z035 | DOWNFEED HANDLE 1/2-12 |
| 36 | P1005Z036 | DOWNFEED HANDLE KNOB 1/2-12 |
| 37 | P1005Z037 | COIL SPRING BASE |
| 39 | PS08 | PHLP HD SCR 10-24 X 3/4 |
| 40 | P1005Z040 | COIL SPRING & SPRING COVER |
| 41 | PLW02 | LOCK WASHER 1/4 |
| 42 | PW06 | FLAT WASHER 1/4 |

| REF | PART # | DESCRIPTION |
|------|-------------|---------------------------------|
| 43 | PSB01 | CAP SCREW 1/4-20 X 5/8 |
| 44 | P1005044 | WORM SHAFT |
| 45 | P1005045 | BUSHING |
| 46 | P1005Z046 | CRANK ARM |
| 48 | P1005Z048 | CRANK HANDLE |
| 49 | P1005049 | WORM GEAR |
| 50 | P1005Z050 | WORM GEAR SHAFT |
| 51 | P1005Z051 | GIB |
| 52 | P1005Z052 | GIB |
| 53 | PW01 | FLAT WASHER 1/2 |
| 54 | P1005Z054 | LOCK HANDLE |
| 55 | P1005Z055 | SPECIAL SET SCREW 3/8-16 X 32 |
| 56 | PN08 | HEX NUT 3/8-16 |
| 57 | P1005Z057 | COMPRESSION SPRING 1/2 X 3-1/16 |
| 58 | P1005058 | PIN |
| 59 | P1005Z059 | RUBBER BUSHING |
| 60 | P1005Z060 | HEX BOLT 1/2-12 X 6-3/4 |
| 61 | PW01 | FLAT WASHER 1/2 |
| 62 | PN41 | HEX NUT 1/2-12 |
| 63 | P1005063 | THUMB SCREW 3/8-16 X 17 |
| 65 | PS09 | PHLP HD SCR 1/4-20 X 1/4 |
| 66 | P1005066 | BELT COVER |
| 67 | P1005Z067 | SLIDING COVER |
| 68 | P1005068 | SPINDLE COVER |
| 69 | P1005Z069 | FLAT HD SCR M3-0.5 X 15 |
| 70 | PW06 | FLAT WASHER 1/4 |
| 71 | PS04 | PHLP HD SCR 1/4-20 X 1/2 |
| 74 | P1005Z074 | IDLER PULLEY BASE |
| 75 | PN04 | HEX NUT 5/8-11 |
| 76 | P1005Z076 | IDLER PULLEY SET |
| 77 | P1005077 | MOTOR PULLEY SET |
| 78 | P1005078 | OILER 1/4 |
| 79 | PVA30 | V-BELT A-30 4L300 |
| 80 | PVA38 | V-BELT A-38 4L380 |
| 81 | PW07 | FLAT WASHER 5/16 |
| 82 | PB11 | HEX BOLT 5/16-18 X 1-1/2 |
| 83 | P1005083 | MOTOR 1HP 110V/220V 60HZ 1PH |
| 83-1 | P1005Z083-1 | MOTOR FAN |
| 83-2 | P1005Z083-2 | MOTOR FAN COVER |
| 83-3 | P1005Z083-3 | START CAPACITOR 150 MFD 250VAC |
| 83-4 | P1005Z083-4 | MOTOR JUNCTION BOX |
| 84 | P1005084 | KEY 7 X 7 X 38 |
| 85 | P1005085 | MOTOR MOUNT PLATE |
| 86 | PB03 | HEX BOLT 5/16-18 X 1 |
| 87 | PW07 | FLAT WASHER 5/16 |
| 88 | PN02 | HEX NUT 5/16-18 |
| 89 | PB34 | HEX BOLT 3/8-16 X 1/2 |
| 90 | P1005090 | WIRE RELIEF RETAINER |
| 91 | PS04 | PHLP HD SCR 1/4-20 X 1/2 |
| 92 | P1005092 | MILLING CUTTER |
| 93 | P1005093 | CHUCK 1/2-JT6 |
| 93-1 | P1005093-1 | CHUCK KEY |
| 109 | P1005109 | SWITCH |



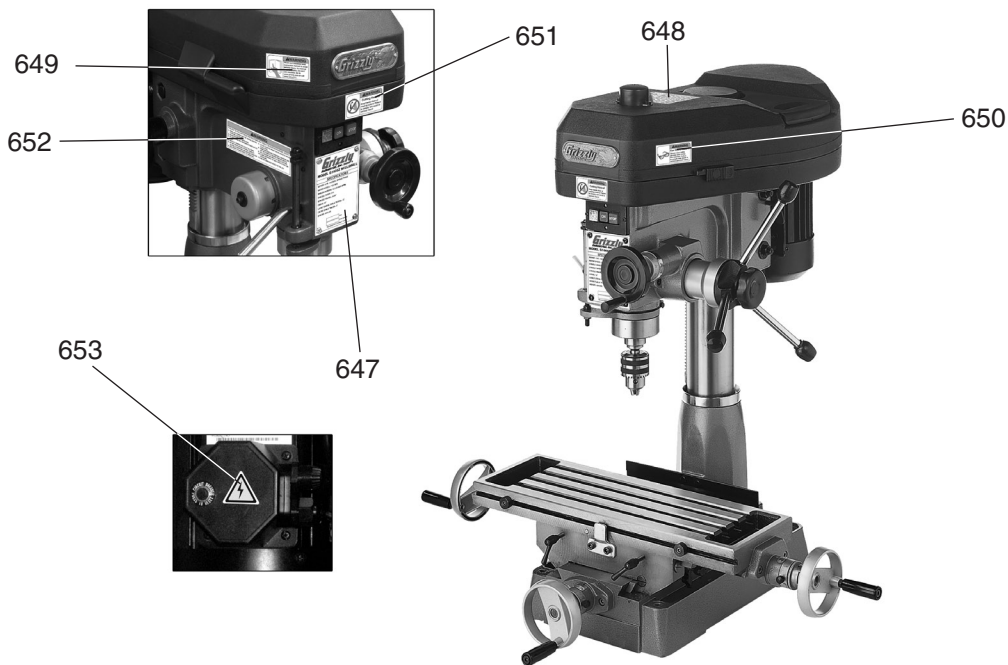
G1005Z Table Breakdown



G1005Z Table and Labels Parts List

| REF | PART # | DESCRIPTION |
|-----|-----------|-------------------------------|
| 601 | P1005601 | TABLE |
| 602 | P1005602 | FIXED BLOCK |
| 603 | P1005603 | MOVABLE FIXED RING |
| 604 | PSB04 | CAP SCREW 1/4-20 X 1/2 |
| 605 | P1005605 | OILER 1/4 |
| 606 | P1005606 | HAND WHEEL |
| 607 | P1005Z607 | HANDWHEEL HANDLE |
| 609 | P1005609 | TABLE CLUTCH |
| 610 | PRP82M | ROLL PIN 5 X 38 |
| 611 | P1005611 | LEFT FLANGE |
| 612 | PSB07 | CAP SCREW 5/16-18 X 3/4 |
| 613 | P1005Z613 | TABLE NUT 23.5-10 |
| 616 | P1005Z616 | ACME SCREW 1/4-20 X 762 |
| 617 | P1005Z617 | KNURLED THUMB SCREW M6-1 x 10 |
| 618 | P1005618 | LIMIT PLATE |
| 619 | P1005619 | RIVET 2 |
| 620 | P1005Z620 | TABLE BASE |
| 621 | P1005621 | ANTIDUST PLATE |
| 622 | P1005622 | ANTIDUST PLATE |
| 623 | P1005623 | GIB STRIP |
| 624 | P1005624 | GIB STRIP |
| 625 | P1005625 | MOVABLE FIXED BLOCK |
| 626 | PB09 | HEX BOLT 5/16-18 X 1/2 |
| 627 | P1005627 | GIB STRIP BOLT 5/16-18 X 42 |
| 628 | P1005628 | BUSHING |

| REF | PART # | DESCRIPTION |
|-----|-----------|-----------------------------|
| 629 | P1005Z629 | LOCK HANDLE 5/16-18 X 1-3/8 |
| 630 | P1005630 | T SCREW 5/16-18 X 42 |
| 631 | PSB03 | CAP SCREW 5/16-18 X 1 |
| 632 | PSB69 | CAP SCREW 5/16-18 X 1/4 |
| 633 | P1005Z633 | ACME NUT 23.5 X 10 |
| 634 | P1005634 | SWIVEL BASE |
| 635 | P1005Z635 | ACME SCREW 23.5 X 10 X 390 |
| 636 | P1005636 | COLUMN BASE |
| 637 | P1005637 | RACK |
| 638 | P1005638 | COLUMN HEAD SET |
| 640 | P1005640 | COLUMN FLANGE RING |
| 641 | PSB20 | CAP SCREW 7/16-14 X 2 |
| 642 | PLW05 | LOCK WASHER 7/16 |
| 643 | PSB07 | CAP SCREW 5/16-18 X 3/4 |
| 644 | PLW01 | LOCK WASHER 5/16 |
| 645 | P1005645 | PLUG |
| 646 | P1005646 | WISE |
| 647 | P1005Z647 | MACHINE NAME PLATE |
| 648 | P1005Z648 | MACHINE SPEED CHART |
| 649 | P1005Z649 | READ MANUAL HORIZ SMALL |
| 650 | P1005Z650 | SAFETY GLASSES HORIZ SMALL |
| 651 | P1005Z651 | HAND MILL WARNING SMALL |
| 652 | P1005Z652 | MACHINE WARNING LABEL |
| 653 | XLABEL04S | ELECTRICITY |



⚠ WARNING

Safety labels warn about machine hazards and ways to prevent injury. The owner of this machine **MUST** maintain the original location and readability of the labels on the machine. If any label is removed or becomes unreadable, **REPLACE** that label before using the machine again. Contact Grizzly at (800) 523-4777 or www.grizzly.com to order new labels.

