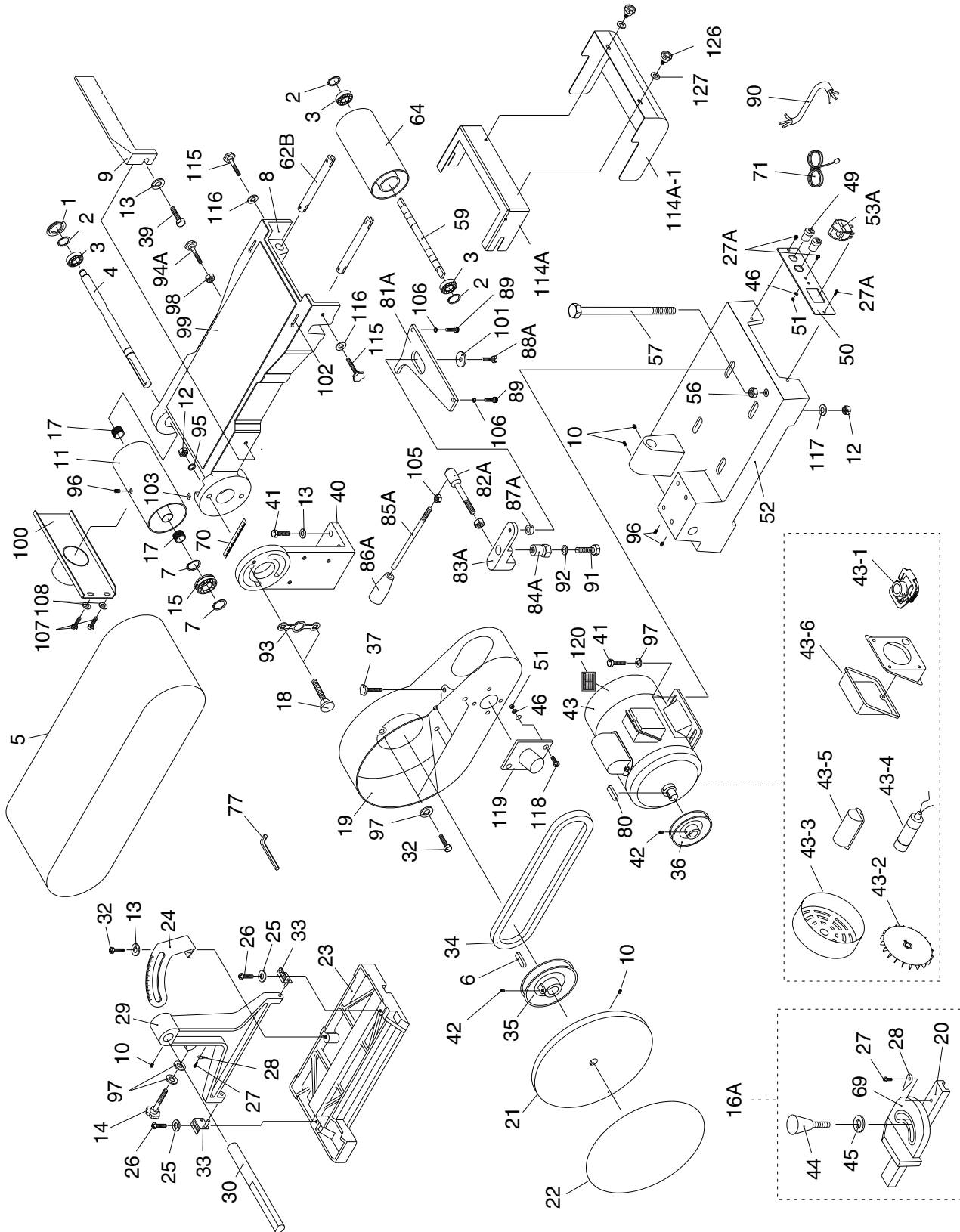


# SECTION 9: PARTS

## G1014Z Main



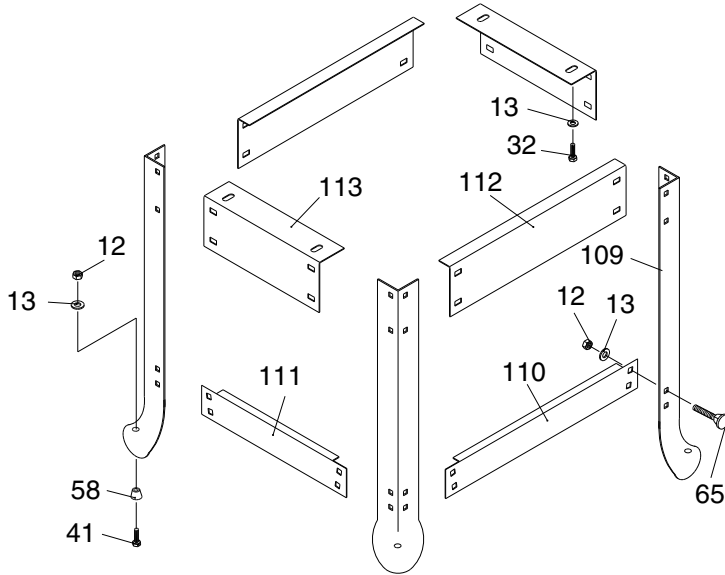
# G1014Z Main Parts List

REF	PART #	DESCRIPTION
1	P1014Z001	DUST COVER
2	PR03M	EXT RETAINING RING 12MM
3	P6201-2RS	BALL BEARING 6201-2RS
4	P1014Z004	DRIVER ROLLER SHAFT
5	P1014Z005	SANDING BELT 6" X 48"
6	PK112M	KEY 5 X 5 X 55
7	PR05M	EXT RETAINING RING 15MM
8	P1014Z008	SANDING BELT FRAME
9	P1014Z009	BACK STOP
10	PSS02	SET SCREW 5/16-18 X 3/8
11	P1014Z011	DRIVE ROLLER
12	PN02	HEX NUT 5/16-18
13	PW07	FLAT WASHER 5/16
14	P1014Z014	KNOB 5/16-18
15	P6202-2RS	BALL BEARING 6202-2RS
16A	P1014Z016A	COMPLETE MITER GAUGE ASSY
17	P1014Z017	BUSHING 15 X 19.4 X 12MM
18	PCB08	CARRIAGE BOLT 5/16-18 X 1-1/2
19	P1014019A	PULLEY COVER V2.07.00
20	P1014Z020	MITER BAR
21	P1014021	CAST IRON DISC V2.02.97
22	P1014Z022	SANDING DISC PAPER 9"
23	P1014Z023	TABLE
24	P1014Z024	TRUNNION
25	PW06	FLAT WASHER 1/4
26	PS04	PHLP HD SCR 1/4-20 X 1/2
27	PS06	PHLP HD SCR 10-24 X 3/8
27A	PFS03	FLANGE SCREW 10-24 X 3/8
28	P1014Z028	POINTER
29	P1014029	TABLE SUPPORT BRACKET V2.01.98
30	P1014Z030	SUPPORT BAR
32	PB09	HEX BOLT 5/16-18 X 1/2
33	P1014Z033	TABLE MOUNT
34	PVM24	V-BELT M-24 3L240
35	P1014Z035	PULLEY
36	P1014Z036	MOTOR PULLEY
37	P1014Z037	KNOB 10-24
39	PB03	HEX BOLT 5/16-18 X 1
40	P1014040	BRACKET
41	PB03	HEX BOLT 5/16-18 X 1
42	PSS02	SET SCREW 5/16-18 X 3/8
43	P1014Z043	MOTOR 3/4 HP 110V/220V 1-PH
43-1	P1014Z043-1	CENTRIFUGAL SWITCH
43-2	P1014Z043-2	MOTOR FAN
43-3	P1014Z043-3	MOTOR FAN COVER
43-4	P1014Z043-4	S CAP 200M 125V 1-3/8 x 2-1/4
43-5	P1014Z043-5	S CAPACITOR COVER
43-6	P1014Z043-6	JUNCTION BOX COVER
44	P1014Z044	LOCK KNOB 1/4-20 X 5/8
45	P1014Z045	PLASTIC WASHER 1/4-16
46	PW03	FLAT WASHER #10
49	P1014Z049	STRAIN RELIEF

REF	PART #	DESCRIPTION
50	P1014Z050	SWITCH PLATE
51	PN07	HEX NUT 10-24
52	P1014Z052	BASE
53A	G8988	GRIZZLY SAFETY PADDLE SWITCH
56	PN04	HEX NUT 5/8-11
57	P1014Z057	HEX BOLT 5/8-11 X 9
59	P1014059B	IDLER SHAFT V3.08.97
62B	P1014Z062B	ROLLER ADJUST BAR
64	P1014064B	IDLER ROLLER V3.08.97
69	P1014Z069	MITER BODY
70	P1014Z070	TILT SCALE
71	PWRCRD110L	POWER CORD
77	PAW04M	HEX WRENCH 4MM
80	PK02M	KEY 5 X 5 X 40
81A	P1014Z081A	ROCKER PLATE
82A	P1014Z082A	SHORT LEVER
83A	P1014Z083A	ROCKER ARM
84A	P1014Z084A	ECCENTRIC
85A	P1014Z085A	LONG LEVER
86A	P1014Z086A	KNOB 3/8-16
87A	P1014Z087A	SPACER
88A	PB21	HEX BOLT 3/8-16 X 3/4
89	PSB31	CAP SCREW 10-24 X 5/8
90	P1014Z090	MOTOR CORD 16AWG x 3C
91	PB16	HEX BOLT 3/8-16 X 1-1/2
92	PW02	FLAT WASHER 3/8
93	P1014Z093	WASHER PLATE 19 X 88
94A	P1014Z094A	KNOB 3/8-24
95	PLW01	LOCK WASHER 5/16
96	PSS18	SET SCREW 5/16-18 X 3/4
97	P1014Z097	FENDER WASHER 5/16 X 21 X 2
98	PN08	HEX NUT 3/8-16
99	P1014Z099	GRAPHITE PAD 6W X 17L
100	P1014Z100	DUST PORT
101	P1014Z101	FENDER WASHER 3/8
102	P1014Z102	BELT DIRECTION ARROW
103	P1014Z103	TABLE TILT POINTER
105	PN08	HEX NUT 3/8-16
106	PLW01M	LOCK WASHER 5MM
107	PB19	HEX BOLT 1/4-20 X 1/2
108	PW06	FLAT WASHER 1/4
114A	P1014Z114A	IDLER ROLLER GUARD V2.03.08
114A-1	P1014Z114A-1	SLEEVE GUARD
115	P1014Z115	LOCK KNOB 1/4-20
116	PW06	FLAT WASHER 1/4
117	PW07	FLAT WASHER 5/16
118	PS06	PHLP HD SCR 10-24 X 3/8
119	G2977	DUST PORT (ABS) 2-1/2"
120	P1014Z120	MOTOR LABEL
126	P1014Z126	LOCK KNOB 10-32
127	PW03	FLAT WASHER #10

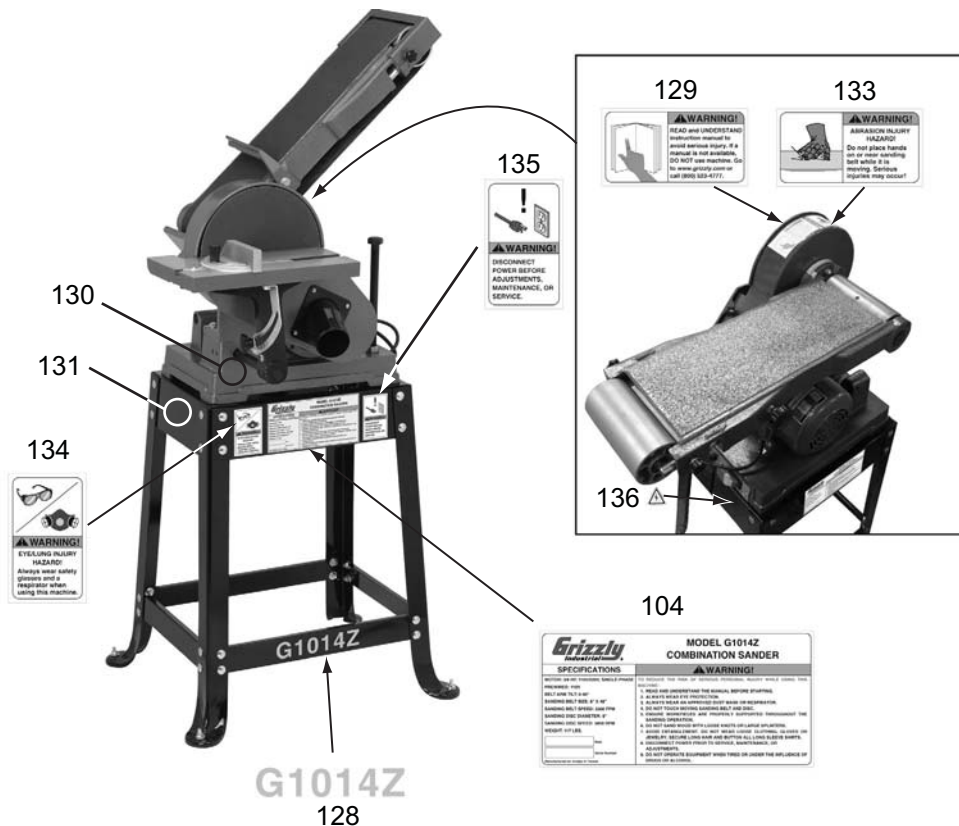


# G1014Z Stand



REF	PART #	DESCRIPTION
12	PN02	HEX NUT 5/16-18
13	PW07	FLAT WASHER 5/16
32	PB09	HEX BOLT 5/16-18 X 1/2
41	PB03	HEX BOLT 5/16-18 X 1
58	P1014Z058	RUBBER FOOT
65	PCB01	CARRIAGE BOLT 5/16-18 X 5/8
109	P1014Z109	LEG
110	P1014Z110	LONG LOWER BRACE
111	P1014Z111	SHORT LOWER BRACE
112	P1014Z112	LONG UPPER BRACE
113	P1014Z113	SHORT UPPER BRACE

# G1014Z Labels

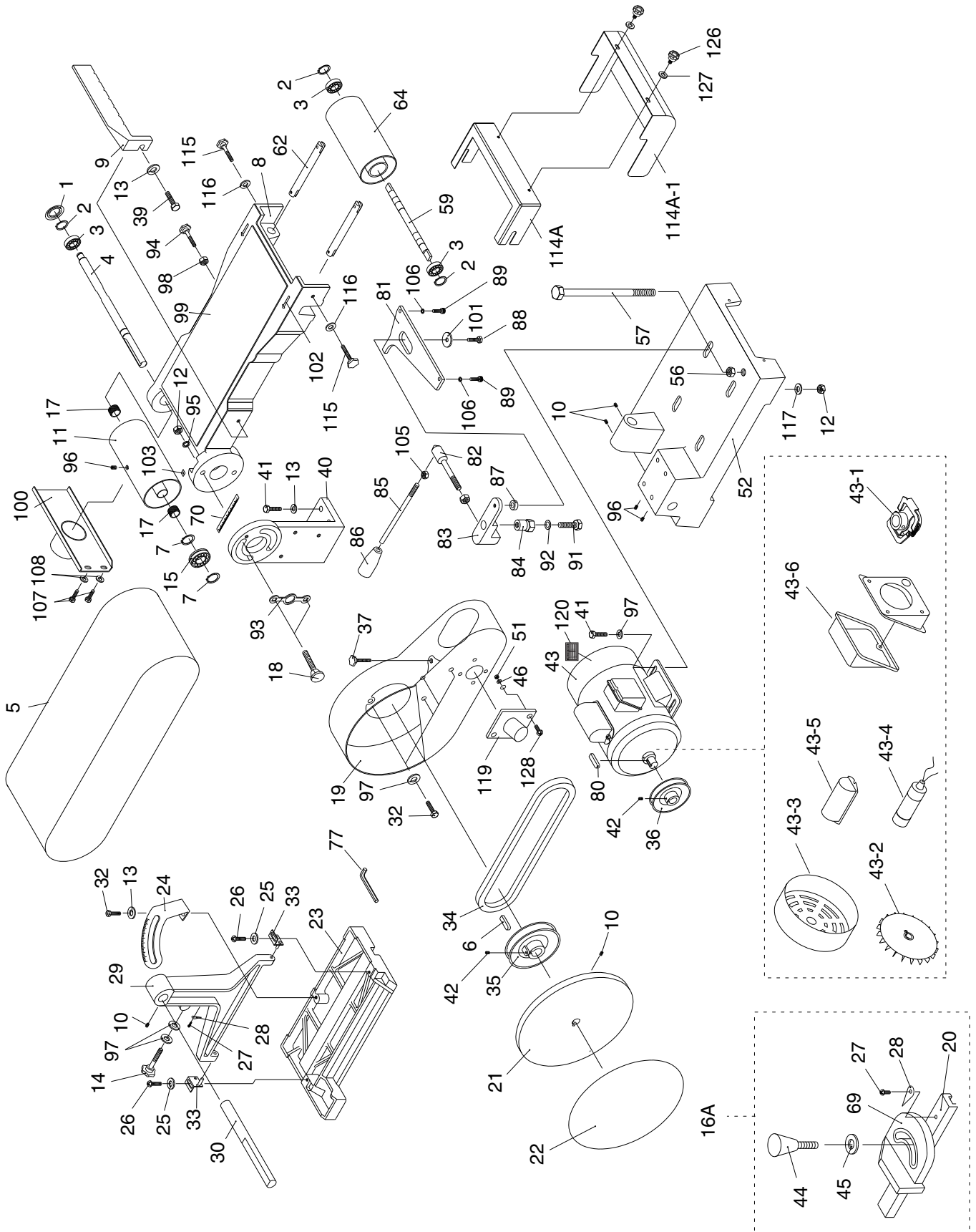


REF	PART #	DESCRIPTION
104	P1014Z104	MACHINE ID LABEL
128	P1014Z128	MODEL # LABEL G1014Z
129	PLABEL-12B	READ MANUAL 3.7W X 2H NS 7/05
130	PPAINT-1	GRIZZLY GREEN TOUCH UP PAINT
131	PPAINT-7	BLACK TOUCH UP PAINT

REF	PART #	DESCRIPTION
133	P1014Z133	ABRASION INJURY HAZARD
134	PLABEL-57	GLASSES/RESPIRATOR 2W X 3.3H
135	PLABEL-62	DISCONNECT 110V 2W X 3.3H
136	PLABEL-14B	ELECTRICITY LABEL



# G1014ZX Main



# G1014ZX Main Parts List

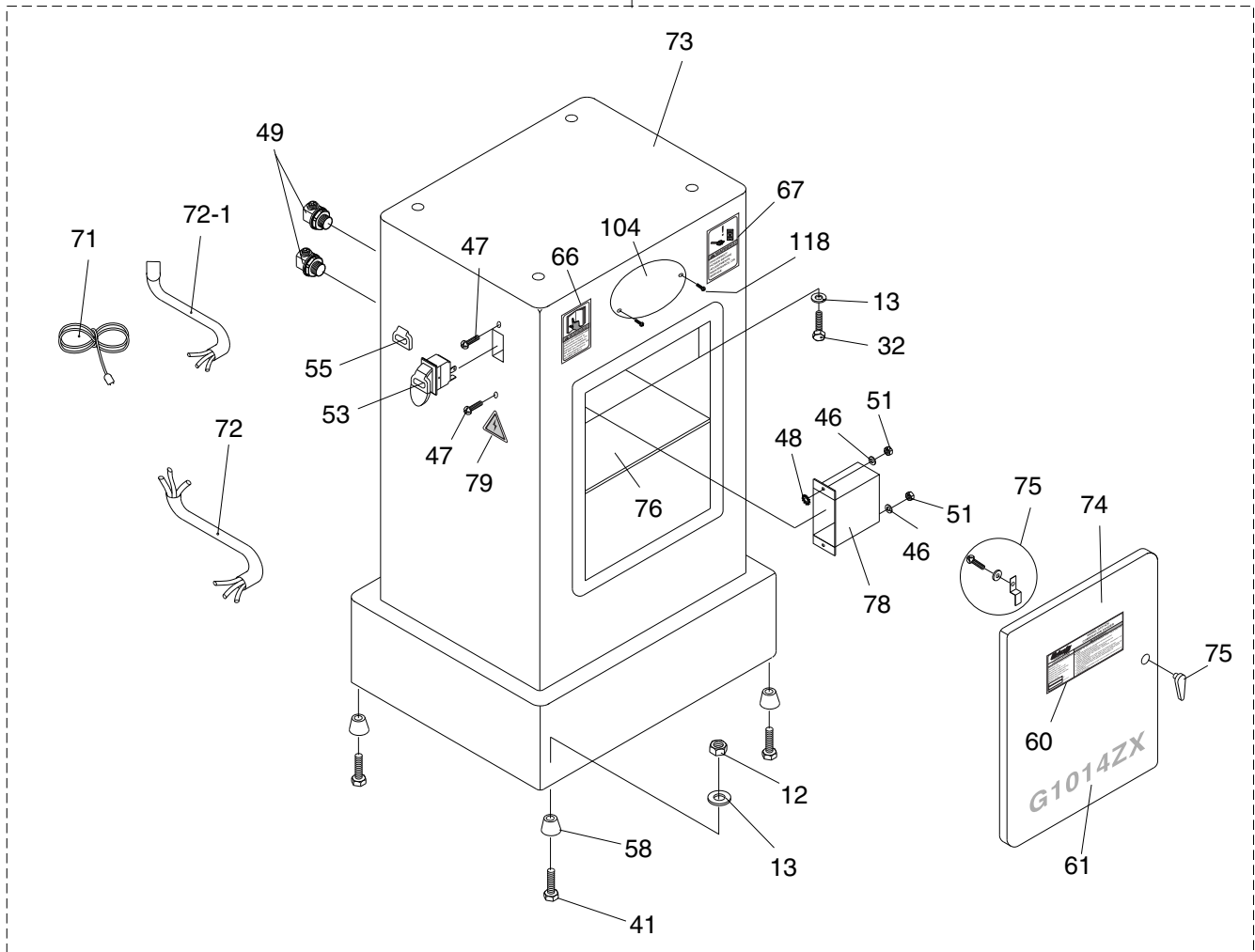
REF	PART #	DESCRIPTION
1	P1014Z001	DUST COVER
2	PR03M	EXT RETAINING RING 12MM
3	P6201-2RS	BALL BEARING 6201-2RS
4	P1014Z004	DRIVER ROLLER SHAFT
5	P1014Z005	SANDING BELT 6" X 48"
6	PK02M	KEY 5 X 5 X 40
7	PR05M	EXT RETAINING RING 15MM
8	P1014Z008	SANDING BELT FRAME
9	P1014Z009	BACK STOP
10	PSS02	SET SCREW 5/16-18 X 3/8
11	P1014Z011	DRIVE ROLLER
12	PN02	HEX NUT 5/16-18
13	PW07	FLAT WASHER 5/16
14	P1014Z014	KNOB
15	P6202-2RS	BALL BEARING 6202-2RS
16A	P1014Z016A	COMPLETE MITER GAUGE ASSY
17	P1014Z017	BUSHING 15 X 19.4 X 12MM
18	PCB08	CARRIAGE BOLT 5/16-18 X 1-1/2
19	P1014019A	PULLEY COVER V2.07.00
20	P1014Z020	MITER BAR
21	P1014021	CAST IRON DISC V2.02.97
22	P1014Z022	SANDING DISC PAPER 9"
23	P1014Z023	TABLE
24	P1014Z024	TRUNNION
25	PW06	FLAT WASHER 1/4
26	PS04	PHLP HD SCR 1/4-20 X 1/2
27	PS06	PHLP HD SCR 10-24 X 3/8
28	P1014Z028	MITER GAUGE POINTER
29	P1014029	TABLE SUPPT BRACKET V2.01.98
30	P1014Z030	SUPPORT BAR
32	PB09	HEX BOLT 5/16-18 X 1/2
33	P1014Z033	TABLE MOUNT
34	PVM24	V-BELT M-24 3L240 (QTY 1)
35	P1014Z035	PULLEY
36	P1014Z036	MOTOR PULLEY
37	P1014Z037	KNOB
39	PB03	HEX BOLT 5/16-18 X 1
40	P1014040	BRACKET
41	PB03	HEX BOLT 5/16-18 X 1
42	PSS02	SET SCREW 5/16-18 X 3/8
43	P1014Z043	MOTOR 3/4 HP 110V/220V 1-PH
43-1	P1014Z043-1	CENTRIFUGAL SWITCH
43-2	P1014Z043-2	MOTOR FAN
43-3	P1014Z043-3	MOTOR FAN COVER
43-4	P1014Z043-4	S CAP 200M 125V 1-3/8 x 2-1/4
43-5	P1014Z043-5	S CAPACITOR COVER
43-6	P1014Z043-6	JUNCTION BOX COVER
44	P1014Z044	LOCK KNOB 1/4-20 X 5/8
45	P1014Z045	PLASTIC WASHER 1/4-16

REF	PART #	DESCRIPTION
46	PW03	FLAT WASHER #10
51	PN07	HEX NUT 10-24
52	P1014Z052	BASE
56	PN04	HEX NUT 5/8-11
57	P1014Z057	HEX BOLT 5/8-11 X 9
59	P1014059B	IDLER SHAFT V3.08.97
62	P1014Z062B	ROLLER ADJ UST BAR
64	P1014064B	IDLER ROLLER V3.08.97
69	P1014Z069	MITER BODY
70	P1014Z070	SCALE
77	PAW04M	HEX WRENCH 4MM
80	PK02M	KEY 5 X 5 X 40
81	P1014Z081A	ROCKER PLATE
82	P1014Z082A	LEVER, SHORT
83	P1014Z083A	ROCKER ARM
84	P1014Z084A	ECCENTRIC
85	P1014Z085A	LONG LEVER
86	P1014Z086A	KNOB 3/8-16
87	P1014Z087A	SPACER
88	PB21	HEX BOLT 3/8-16 X 3/4
89	PSB31	CAP SCREW 10-24 X 5/8
91	PB16	HEX BOLT 3/8-16 X 1-1/2
92	PW02	FLAT WASHER 3/8
93	P1014Z093	WASHER PLATE 19 X 88
94	P1014Z094A	KNOB 3/8-24
95	PLW01	LOCK WASHER 5/16
96	PSS18	SET SCREW 5/16-18 X 3/4
97	P1014Z097	FENDER WASHER 5/16 X 21 X 2
98	PN11	HEX NUT 3/8-24
99	P1014Z099	GRAPHITE PAD 6"W X 17"L
100	P1014Z100	DUST PORT
101	P1014Z101	FENDER WASHER 3/8"
102	P1014Z102	DIRECTION SCALE
103	P1014Z103	POINTER
105	PN08	HEX NUT 3/8-16
106	PLW01M	LOCK WASHER 5MM
107	PB19	HEX BOLT 1/4-20 X 1/2
108	PW06	FLAT WASHER 1/4
114A	P1014Z114A	IDLER ROLLER GUARD V2.03.08
114A-1	P1014Z114A-1	SLEEVE GUARD
115	P1014Z115	LOCK KNOB 1/4-20
116	PW06	FLAT WASHER 1/4
117	PW07	FLAT WASHER 5/16
119	G2977	DUST PORT (ABS) 2-1/2"
120	P1014Z120	MOTOR LABEL
126	P1014Z126	LOCK KNOB 10-32
127	PW03	FLAT WASHER #10
128	PS06	PHLP HD SCR 10-24 X 3/8



# G1014ZX Cabinet

73A

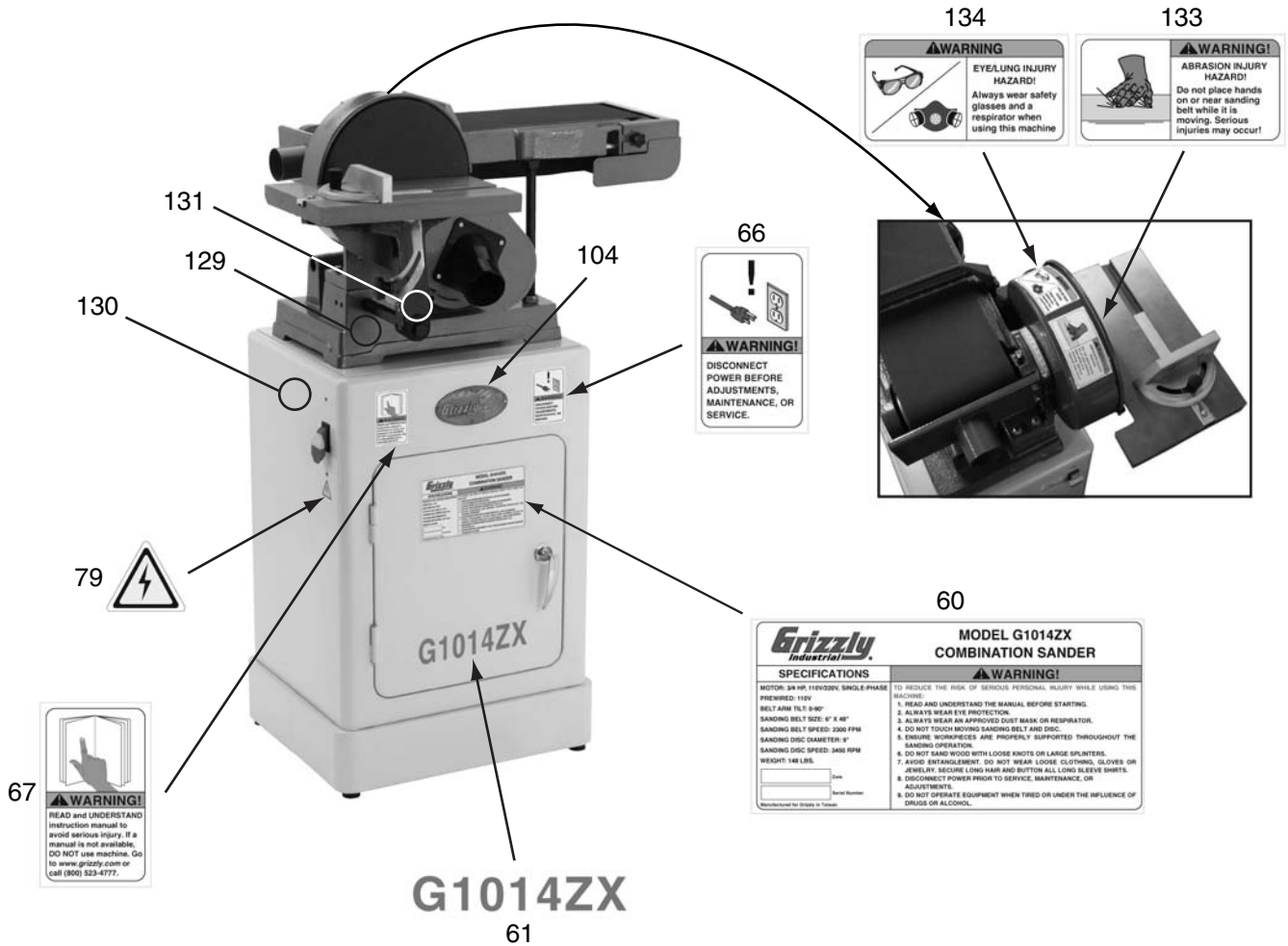


REF	PART #	DESCRIPTION
12	PN02	HEX NUT 5/16-18
13	PW07	FLAT WASHER 5/16
32	PB09	HEX BOLT 5/16-18 X 1/2
41	PB03	HEX BOLT 5/16-18 X 1
46	PW03	FLAT WASHER #10
47	PFS03	FLANGE SCREW 10-24 X 3/8
48	PTLW01	EXT TOOTH WASHER #10
49	P1014Z049	STRAIN RELIEF
51	PN07	HEX NUT 10-24
53	G8988	GRIZZLY SAFETY PADDLE SWITCH
55	PSW09-1	PADDLE SWITCH KEY
58	P1014Z058	RUBBER FOOT
60	P1014ZX060	MACHINE ID LABEL
61	P1014ZX061	MODEL # LABEL G1014ZX

REF	PART #	DESCRIPTION
66	PLABEL-62	DISCONNECT 110V 2W X 3.3H
67	PLABEL-12A	READ MANUAL V2.07.05
71	PWRCRD110L	POWER CORD
72	P1014ZX072	MOTOR CORD 1 (FEMALE)
72-1	P1014ZX072-1	MOTOR CORD 2 (MALE)
73	P1014ZX073	CABINET
73A	P1014ZX073A	COMPLETE STAND ASSY (BOX 2)
74	P1014ZX074	CABINET DOOR
75	P1014ZX075	DOOR LATCH SYSTEM
76	P1014ZX076	SHELF
78	P1014ZX078	SWITCH HOUSING
79	PLABEL-14	ELECTRICITY LABEL
104	G9987	GRIZZLY NAMEPLATE- SMALL
118	PHTEK24	TAP SCREW #5 X 3/8



# G1014ZX Labels



G1014ZX

61

REF PART #	DESCRIPTION
60	P1014ZX060 MACHINE ID LABEL
61	P1014ZX061 MODEL # LABEL G1014ZX
66	PLABEL-62 DISCONNECT 110V 2W X 3.3H
67	PLABEL-12A READ MANUAL V2.07.05
79	PLABEL-14 ELECTRICITY LABEL
104	G9987 GRIZZLY NAMEPLATE- SMALL

REF PART #	DESCRIPTION
129	PPAINT-1 GRIZZLY GREEN TOUCH-UP PAINT
130	PPAINT-11 GRAY PUTTY TOUCH UP-PAINT
131	PPAINT-7 BLACK TOUCH UP PAINT
133	P1014Z133 ABRASION INJURY HAZARD
134	PLABEL-57 GLASSES/RESPIRATOR 2W X 3.3H

## ! WARNING

Safety labels warn about machine hazards and ways to prevent injury. The owner of this machine **MUST** maintain the original location and readability of the labels on the machine. If any label is removed or becomes unreadable, **REPLACE** that label before using the machine again. Contact Grizzly at (800) 523-4777 or [www.grizzly.com](http://www.grizzly.com) to order new labels.

