



ROUTER GUARD KIT FOR G1023SLW INSTRUCTION SHEET

A router guard kit is included with your machine to reduce the risk of accidental cutter contact during operation. The router guard is also designed to be connected to a dust collector to help collect dust and chips during operation.

The router guard is intended to be used with a shop-made fence and must be used when making cuts that leave part of the router bit exposed to the operator.

Inventory & Assembly

The inventory is shown in **Figure 1** and the parts breakdown and assembly lines are shown in **Figure 2**.

REF	PART #	DESCRIPTION	QTY
1	PS25	PHLP HD SCR 8-32 X 5/8	2
2	PWN02	WING NUT 1/4-20	2
3	PHTEK11	WOOD SCREW #8 X 3/4	2
4	P1023SLW620-4	HORIZONTAL BRACKET	1
5	P1023SLW620-5	VERTICAL BRACKET	1
6	PCB18	CARRIAGE BOLT 1/4-20 X 1/2	2
7	P1023SLW620-7	GUARD	1
8	PW08	FLAT WASHER #8	6
9	P1023SLW620-9	LOCK WASHER #8	2
10	PN14	HEX NUT 8-32	2
11	P1023SLW620-11	PHLP HD SCR 10-24 X 2-1/2	4
12	PW06	FLAT WASHER 1/4	2

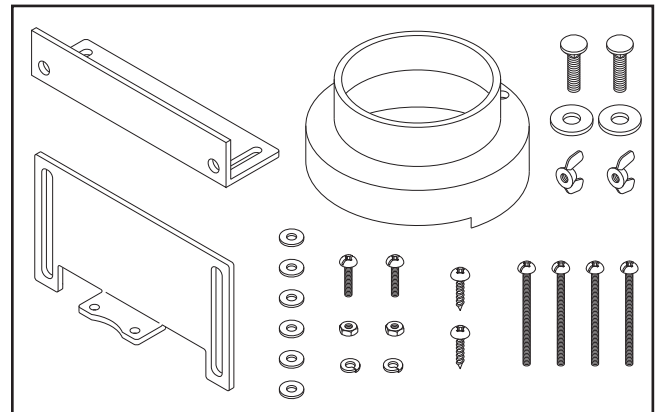


Figure 1. Router guard inventory.

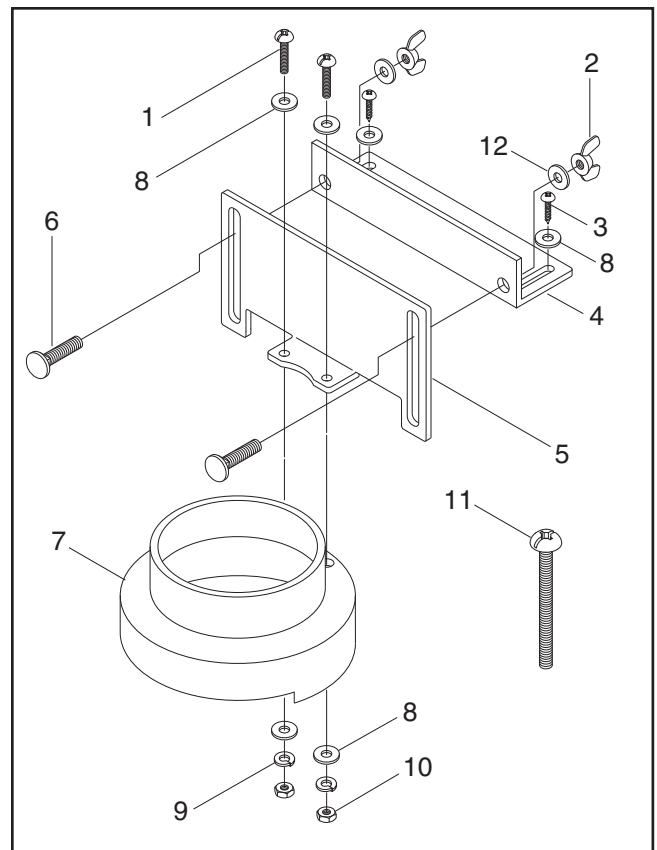


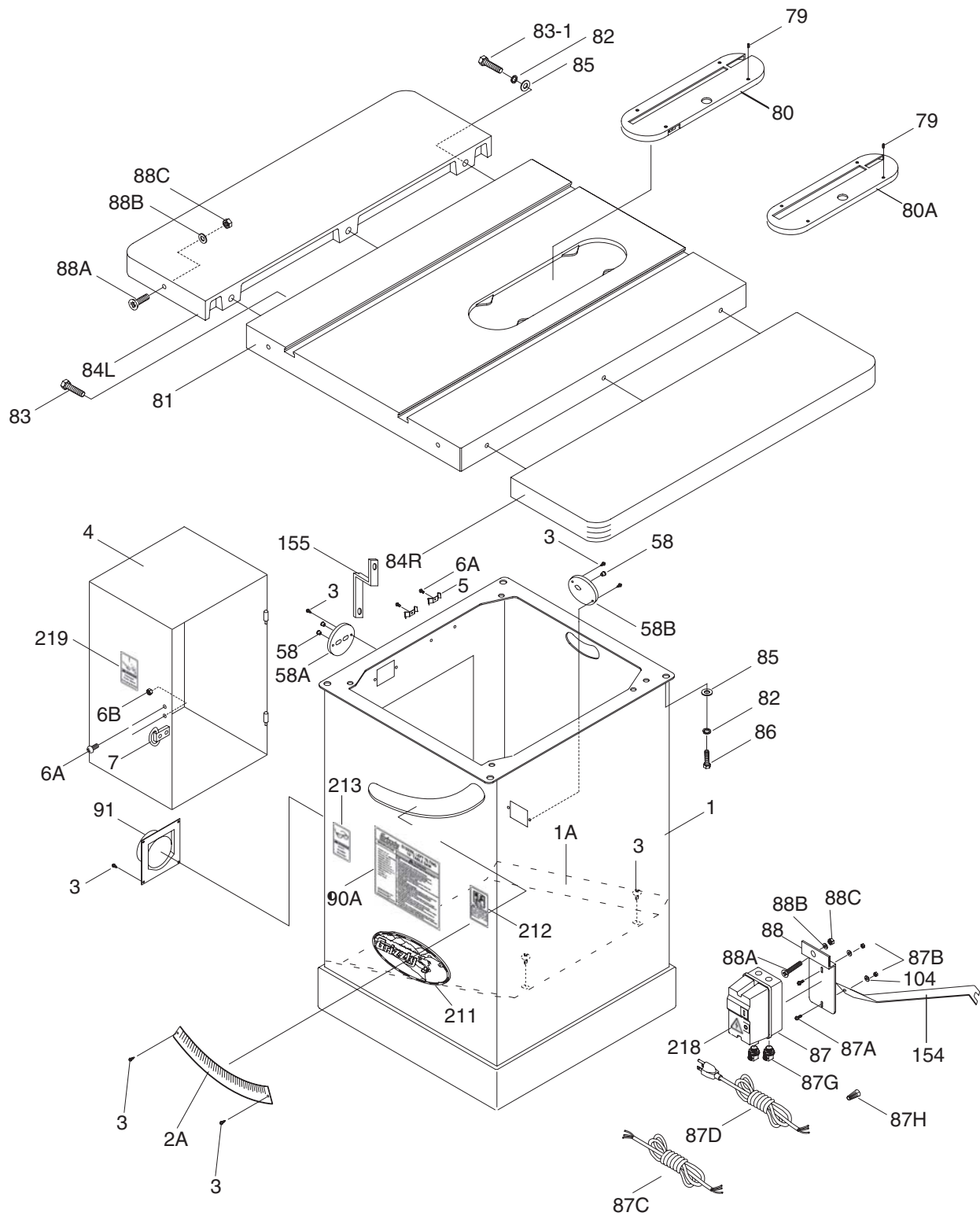
Figure 2. Parts breakdown.

CAUTION

Overtightening the fasteners that secure the plastic guard to the bracket may crack or break the plastic guard, rendering it unsafe for use.

If you need help with the router guard, call our Tech Support at: (570) 546-9663.

G1023SL (All) Main Parts



G1023SL (All) Main Parts

REF	PART #	DESCRIPTION
1	P1023SL001	CABINET
1A	P1023SL001A	LOWER PANEL
2A	P1023SL002A	SCALE
3	PHTEK4	TAP SCREW #10 X 3/8
4	P1023SL004	MOTOR COVER
5	P1023SL005	CORD CLAMP
6A	PS24	PHLP HD SCR #8-32 X 3/8
6B	PN14	HEX NUT #8-32
7	P1023SL007	LATCH
58	P1023SL058	CORD CLAMP
58A	P1023SL058A	CORD CLAMP PLATE
58B	P1023SL058B	CORD CLAMP PLATE
79	PSS07	SET SCREW 1/4-20 X 1/2
80	P1023SL080	STANDARD TABLE INSERT
80A	P1023SL080A	DADO TABLE INSERT
81	P1023SL081	TABLE
82	PLW04	LOCK WASHER 3/8
83	PB24	HEX BOLT 3/8-16 X 1-1/4
83-1	PB18	HEX BOLT 3/8-16 X 1"
84L	P1023SL084L	LEFT EXTENSION WING
84R	P1023SL084R	RIGHT EXTENSION WING
85	PW02	FLAT WASHER 3/8
86	PSB16	CAP SCREW 3/8-16 X 3/4
87	P1023SL087	MAG SWITCH (3HP, 1-PH)
87	P1023SLWX087	MAG SWITCH (5HP, 1-PH)
87	P1023SLWX3087	MAG SWITCH (5HP, 220V, 3-PH)
87S	P1023SLWX3087S	MAG SWITCH (5HP, 440V, 3-PH)
87A	PS31	PHLP HD SCR 10-24 X 1-3/4

REF	PART #	DESCRIPTION
87B	PN07	HEX NUT 10-24
87C	P1023SL087C	MOTOR CORD (G1023SL/X/W)
87C	P1023SLWX087C	MOTOR CORD (G1023SLWX)
87C	P1023SLWX3087C	MOTOR CORD (G1023SLWX3)
87D	P1023SL087D	POWER CORD (G1023SL/X/W)
87D	P1023SLWX087D	POWER CORD (G1023SLWX)
87D	P1023SLWX3087D	POWER CORD (G1023SLWX3)
87G	P1023SL087G	GROMMET
87H	P1023SL087H	WIRE NUT
88	P1023SL088	SWITCH PLATE
88A	PFH25	FLAT HD SCR 5/16-18 X 1"
88B	PW07	FLAT WASHER 5/16
88C	PN02	HEX NUT 5/16-18
90A	P1023SL090A	G1023SL MACHINE ID LABEL
90A	P1023SLX090A	G1023SLX MACHINE ID LABEL
90A	P1023SLW090A	G1023SLW MACHINE ID LABEL
90A	P1023SLWX090A	G1023SLWX MACHINE ID LABEL
90A	P1023SLWX3090A	G1023SLWX3 MACHINE ID LABEL
91	P1023SL091	DUST HOSE ADAPTER
104	PW03	FLAT WASHER #10
154	P1023SL154	SWITCH PLATE BRACE
155	P1023SL155	MOTOR BRACE
211	G8588	LOGO PLATE
212	PLABEL-12A	READ MANUAL LABEL
213	PLABEL-11	SAFETY GLASSES LABEL
218	PLABEL-14	ELECTRICITY LABEL
219	PLABEL-33	UNPLUG TABLE SAW LABEL

WARNING

Safety labels warn about machine hazards and ways to prevent injury. The owner of this machine **MUST** maintain the original location and readability of the labels on the machine. If any label is removed or becomes unreadable, **REPLACE** that label before using the machine again. Contact Grizzly at (800) 523-4777 or www.grizzly.com to order new labels.



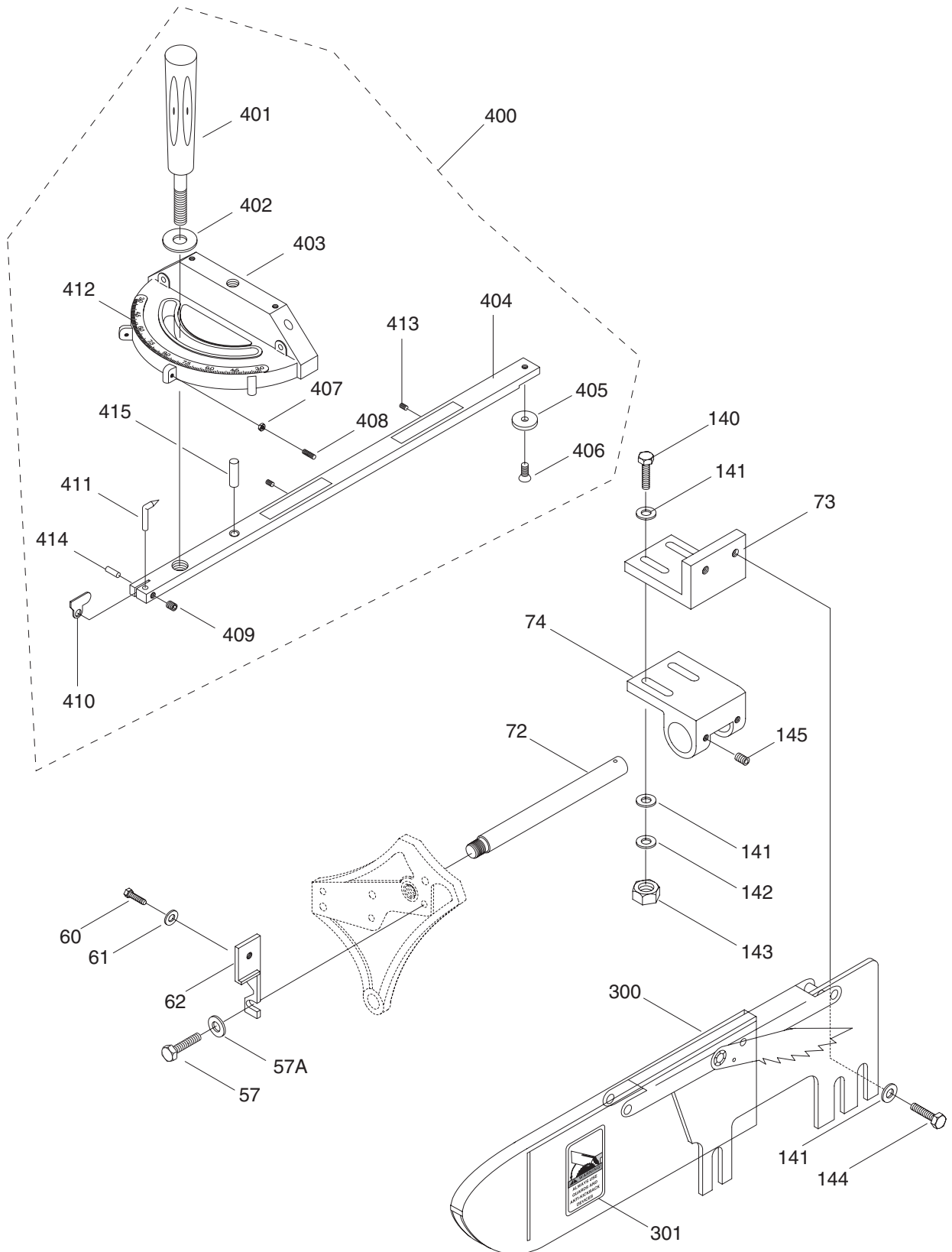
G1023SL (All) Arbor/Motor Parts

REF	PART #	DESCRIPTION
8A	P1023SL008A	LOCK KNOB
9B	P1023SL009B	HANDLE
10A	P1023SL010A	HANDWHEEL
11	PSS15	SET SCREW 3/8-16 X 3/8
12	PSB65	CAP SCREW 10-24 X 2"
12A	PLW03	LOCK WASHER #10
13	P1023SL013	POINTER BRACKET
14A	PW07	FLAT WASHER 5/16
14B	PS35	PHLP HD SCR 5/16-18 X 3/8
15A	P1023SL015A	POINTER ADAPTER
15B	PS23	PHLP HD SCR 8-32 x 1/4
15C	P1023SL015C	POINTER
16	P1023SL016	FRNT TRUNNION BRACKET
16A	P1023SL016A	GUIDE BLOCK
16B	PSB05	CAP SCREW 1/4-20 X 3/4
16C	PW06	FLAT WASHER 1/4
17	P1023SL017	SHIELD PLATE
18	PS35	PHLP HD SCRW 5/16-18 X 3/4
19	PSB26	CAP SCREW 3/8-16 X 11/2
20	PLW04	LOCK WASHER 3/8
21	PN08	HEX NUT 3/8-16
22	PSS03	SET SCREW 1/4-20 X 3/8
23	P1023SL023	WORM GEAR
24	P1023SL024	COLLAR
25	PSS05	SET SCREW 5/16-18 X 1/4
26	P1023SL026	TILT SHAFT
26A	P1023SL026A	BRASS WASHER 3/4
27	P1023SL027	PIN
27A	P1023SL027A	BEARING LOAD SPRING
28	PK02M	KEY 5 X 5 X 40
29A	P1023SL029A	GEARED TRUNNION
29B	P1023SL029B	BUSHING
30	PN02	HEX NUT 5/16-18
30A	PSB08	CAP SCREW 5/16-18 X 1-1/2
30B	P1023SL030B	SPACER
31	PB03	HEX BOLT 5/16-18 X 1
32	P1023SL032	FLANGE
33	P1023SL033	SHAFT
35A	P1023SL035A	GEAR BEARING HOUSING
35B	P1023SL035B	HOUSING CAP
35C	PS06	PHLP HD SCR 10-24 X 3/8
35D	PLW03	LOCK WASHER #10
36	PSB26	CAP SCREW 3/8-16 X 1-1/2
37A	PLW04	LOCK WASHER 3/8
37B	PK03	KEY 1/4 X 1/4 X 45
38	P1023SL038	BEARING 6203-2RS
40	P1023SL040	ARBOR LOCK NUT (LH THREAD)
41	P1023SL041	COLLAR
42	P1023SL042	ARBOR PULLEY
43	PSS10	SET SCREW 1/4-20 X 5/8
43A	PSS06	SET SCREW 1/4-20 X 3/4

REF	PART #	DESCRIPTION
44	PK02M	KEY 5 X 5 X 40L
45	P1023SL045	BLADE ARBOR
47	P1023SL047	ARBOR FLANGE
48	P1023SL048	ARBOR NUT
50	P1023SL050	MOTOR FRAME SUPPORT
51	P1023SL051	CLIP
52	P1023SL052	PIVOT PIN
53	PSB14	CAP SCREW 3/8-16 X 1"
54	P1023SL054	(3) V-BELTS M-25 3L250 MATCHED
55	P1023SL055	MOTOR PULLEY
56	P1023SL056	MOTOR 3HP, 220V, 1-PH
56	P1023SLWX	MOTOR 5 HP, 220V, 1-PH
56	P1023SLWX3	MOTOR 5 HP, 220V/440V, 3-PH
56A	P1023SL056A	MOTOR PLATE
56-1	P1023SL056-1	MOTOR FAN (3HP, 1-PH)
56-1	P1023SLWX056-1	MOTOR FAN (5HP, 1-PH)
56-1	P1023SLWX3056-1	MOTOR FAN (5HP, 3-PH)
56-2	P1023SL056-2	MOTOR FAN COVER
56-2	P1023SLWX056-2	MOTOR FAN COVER (5HP, 1-PH)
56-2	P1023SLWX3056-2	MOTOR FAN COVER (5HP, 3-PH)
56-3	P1023SL056-3	CAPACITOR COVER (3HP, 1-PH)
56-3	P1023SLWX056-3	CAPACITOR COVER (5HP, 1-PH)
56-5	PC600	START CAP 600MF 125V (3HP, 1-PH)
56-5	P1023SLWX056-5	START CAP 400MF 125V (5HP, 1-PH)
56-6	P1023SL056-6	WIRING BOX (3HP, 1-PH)
56-6	P1023SLWX056-6	WIRING BOX (5HP, 1-PH)
56-6	P1023SLWX3056-6	WIRING BOX (5HP, 3-PH)
56-7	P1023SLWX056-7	CAPACITOR COVER
56-8	P1023SLWX056-8	RUN CAP 50UF 350V (5HP, 1-PH)
61	PW07	FLAT WASHER 5/16
63A	P1023SL063A	REAR TRUNNION
63B	P1023SL063B	BUSHING
64	PRP07	ROLL PIN 5/16 X 1
65	PSB14	CAP SCREW 3/8-16 X 1"
66	PLW04	LOCK WASHER 3/8
68	P1023SL068	SHAFT
69	PLN05	LOCK NUT 3/4-16
70	P1023SL070	REAR TRUNNION BRACKET
89	PK02M	KEY 5 X 5 X 40MM
92	PW07	LOCK WASHER 5/16
94	P1023SL094	DUST DEFLECTOR
95	P1023SL095	SPECIAL SCREW 5/16-18 X 1-1/4
95A	PSS08	SET SCREW 5/16-18 X 1/2
95B	PN02	HEX NUT 5/16-18
99	PB32	HEX BOLT 5/16-18 X 5/8
85	PW02	FLAT WASHER 3/8
216	PAW08M	HEX WRENCH 8MM
217	P1023SL217	ARBOR WRENCH
220	PAW03M	HEX WRENCH 3MM
221	PAW04M	HEX WRENCH 4MM
222	P1023SL222	FLAT WRENCH 22MM



G1023SL (All) Miter Gauge & Blade Guard



G1023SL (All) Miter Gauge & Blade Guard

REF	PART #	DESCRIPTION
57	PB15	HEX BOLT 5/16-18 X 3/8
57A	PW07	FLAT WASHER 5/16
60	PB07	HEX BOLT 5/16-18 X 3/4
61	PW07	FLAT WASHER 5/16
62	P1023SL062	BRACKET
72	P1023SL072	SHAFT
73	P1023SL073	UPPER GUARD BRACKET
74	P1023SL074	LOWER GUARD BRACKET
140	PB11	HEX BOLT 5/16-18 X 1-1/2
141	PW07	FLAT WASHER 5/16
142	PLW01	LOCK WASHER 5/16
143	PN02	HEX NUT 5/16-18
144	PB03	HEX BOLT 5/16-18 X 1"
145	PSS02	SET SCREW 5/16-18 X 3/8
300	P1023SL300	BLADE GUARD ASSEMBLY
301	P1023SL301	USE GUARD LABEL

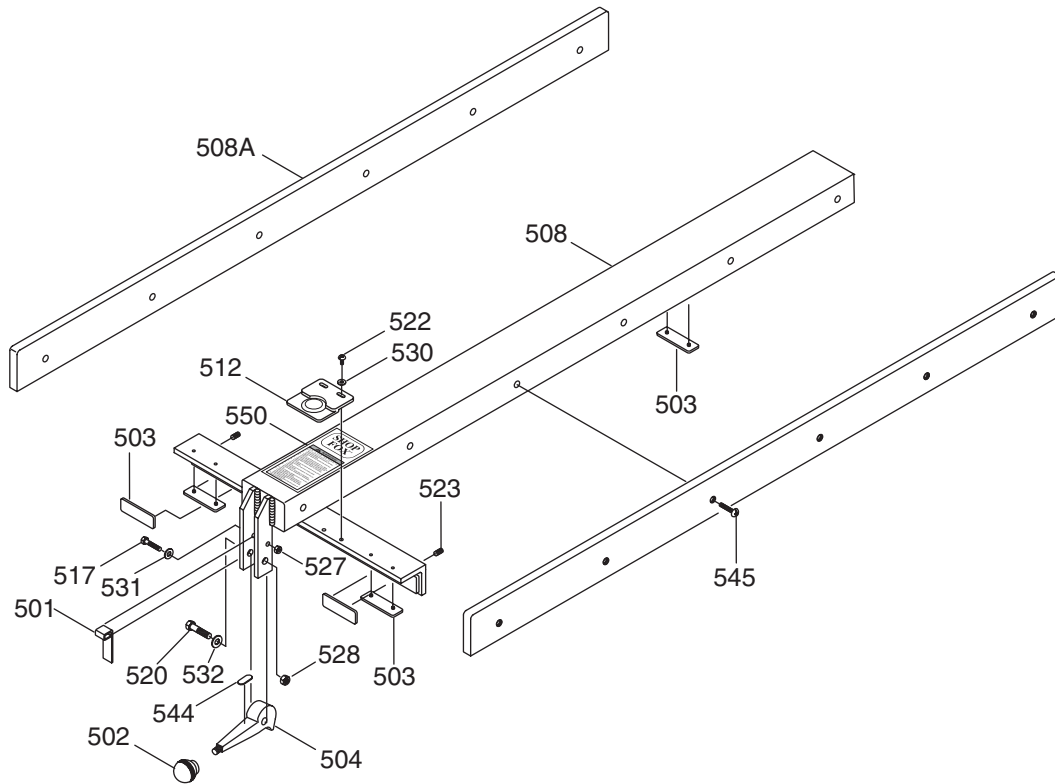
REF	PART #	DESCRIPTION
400	P1023400	COMPLETE MITER GAUGE
401	P1023401A	HANDLE 5/16-18 X 1-1/4
402	PW07	FLAT WASHER 5/16
403	P1023403	MITER GAUGE BODY
404	P1023404A	MITER BAR
405	P1023405	SPECIAL WASHER
406	PFH09	FLAT HD SCR 1/4-20 X 5/16
407	PN07	HEX NUT 10-24
408	PSS32	SET SCREW 10-24 X 3/4
409	PSS34	SET SCREW 10-24 X 1/2
410	P1023410	STOP
411	P1023411	POINTER
412	P1023412	SCALE
413	PSS31	SET SCREW 10-24 X 5/8
414	PRP50M	ROLL PIN 1.5 X 13
415	P1023SL415	MITER HINGE PIN

WARNING

Safety labels warn about machine hazards and ways to prevent injury. The owner of this machine **MUST** maintain the original location and readability of the labels on the machine. If any label is removed or becomes unreadable, **REPLACE** that label before using the machine again. Contact Grizzly at (800) 523-4777 or www.grizzly.com to order new labels.



G1023SL (All) Fence



REF	PART #	DESCRIPTION
501	P1023SL501	FENCE LOCKING TAB
502	P1023SL502	KNOB
503	P1023SL503	BEARING PAD
504	P1023SL504	LOCKING LEVER
508	P1023SL508	FENCE BODY
508A	P1023SL508A	FENCE FACING
512	P1023SL512	MAGNIFIED CURSOR
517	PB88	HEX BOLT 1/4 - 20 X 1-3/4
520	PB25	HEX BOLT 3/8-16 X 1-3/4
522	PS06	PHLP HD SCR 10-24 X 3/8

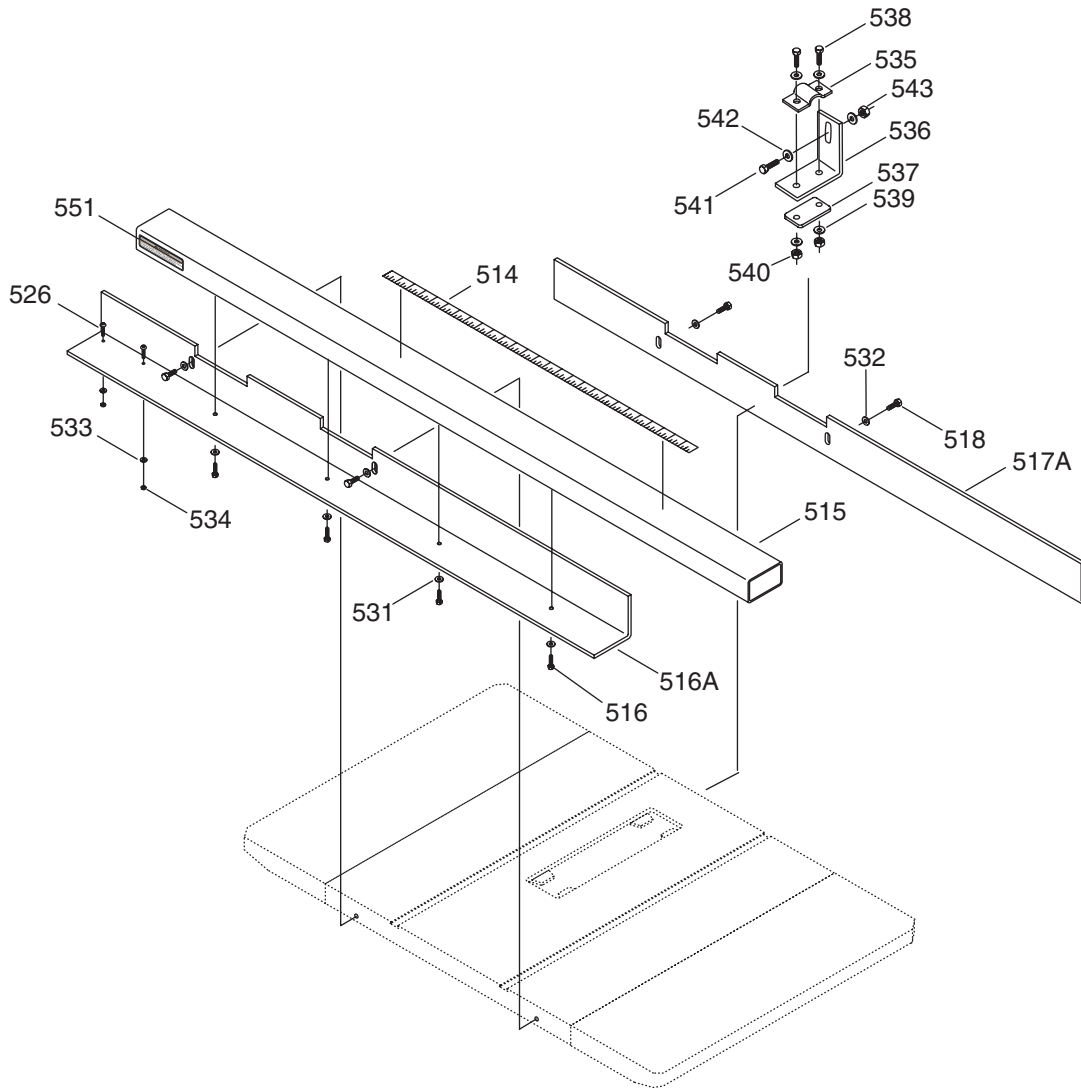
REF	PART #	DESCRIPTION
523	PSS48	SET SCREW 3/8-16 X 5/16
527	PLN02	LOCK NUT 1/4-20
528	PLN01	LOCK NUT 3/8-16
530	PW03	FLAT WASHER #10
531	PW06	FLAT WASHER 1/4
532	PW02	FLAT WASHER 3/8
544	P1023SL544	MAGNET
545	PS43	PHLP HD SCR 10-24 x 1/2
550	P1023SL550	FENCE WARNING LABEL

WARNING

Safety labels warn about machine hazards and ways to prevent injury. The owner of this machine **MUST** maintain the original location and readability of the labels on the machine. If any label is removed or becomes unreadable, **REPLACE** that label before using the machine again. Contact Grizzly at (800) 523-4777 or www.grizzly.com to order new labels.



G1023SL, W, WX, WX3 Fence Rails

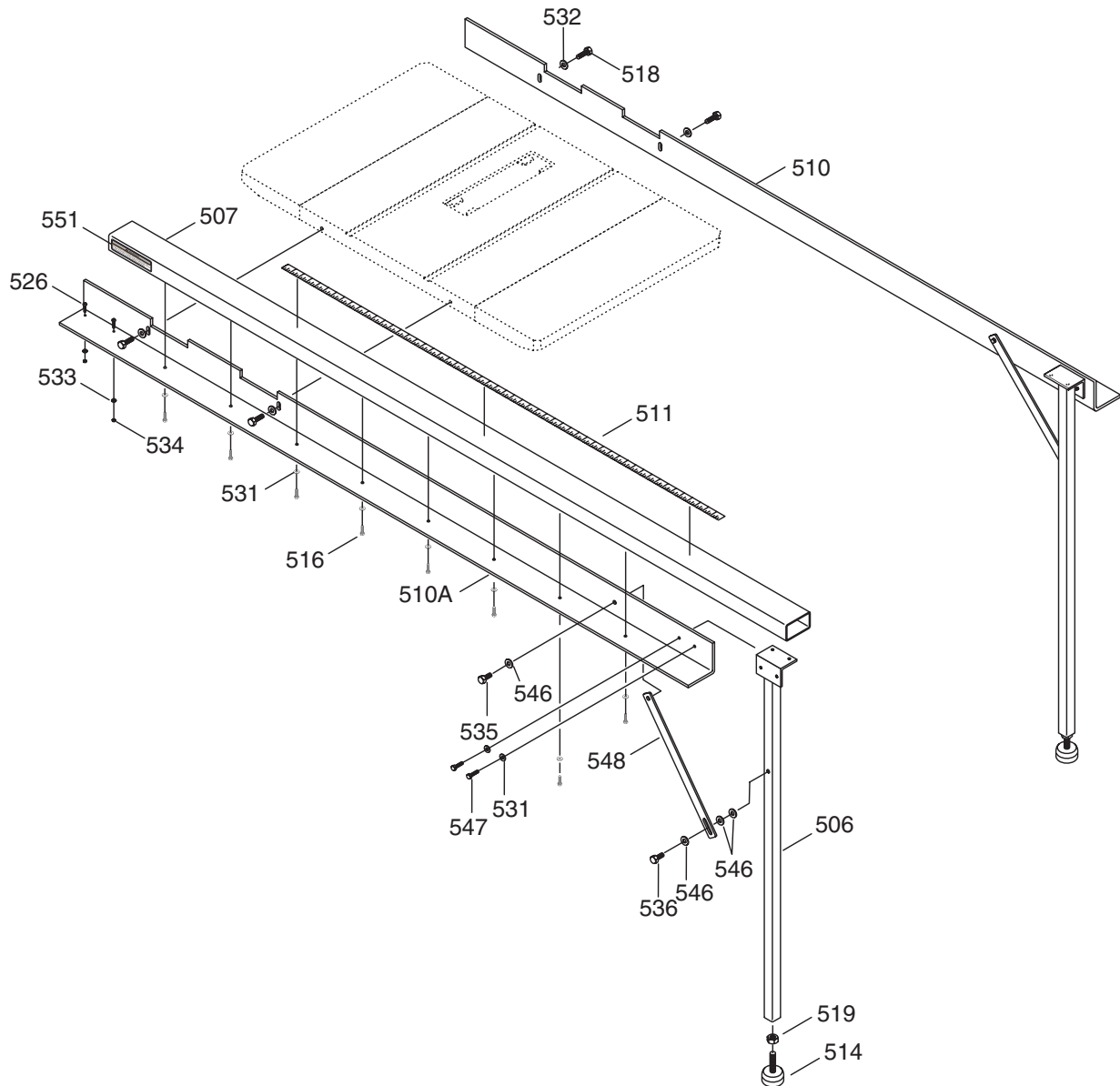


REF	PART #	DESCRIPTION
514	P1023SL514	SCALE
515	P1023SL515	FRONT RAIL TUBE
516	PB05	HEX BOLT 1/4-20 X 3/4
516A	P1023SL516A	FRONT RAIL SUPPORT
517A	P1023SL517A	REAR RAIL
518	PB18	HEX BOLT 3/8-16 X 1
526	PFH21	FLAT HD SCR 10-24 X 3/4
531	PW06	FLAT WASHER 1/4
532	PW02	FLAT WASHER 3/8
533	PW06	FLAT WASHER 1/4
534	PN05	HEX NUT 1/4-20

REF	PART #	DESCRIPTION
535	P1023SL535	V-CLAMP
536	P1023SL536	L-BRACKET
537	P1023SL537	LOCKING PLATE
538	PB26	HEX BOLT 1/4-20 X 1-1/2
539	PW06	FLAT WASHER 1/4
540	PN05	HEX NUT 1/4-20
541	PB07	HEX BOLT 5/16-18 X 3/4
542	PW07	FLAT WASHER 5/16
543	PN02	HEX NUT 5/16-18
551	P1023SL551	RAIL WARNING LABEL



G1023SLX Fence Rails

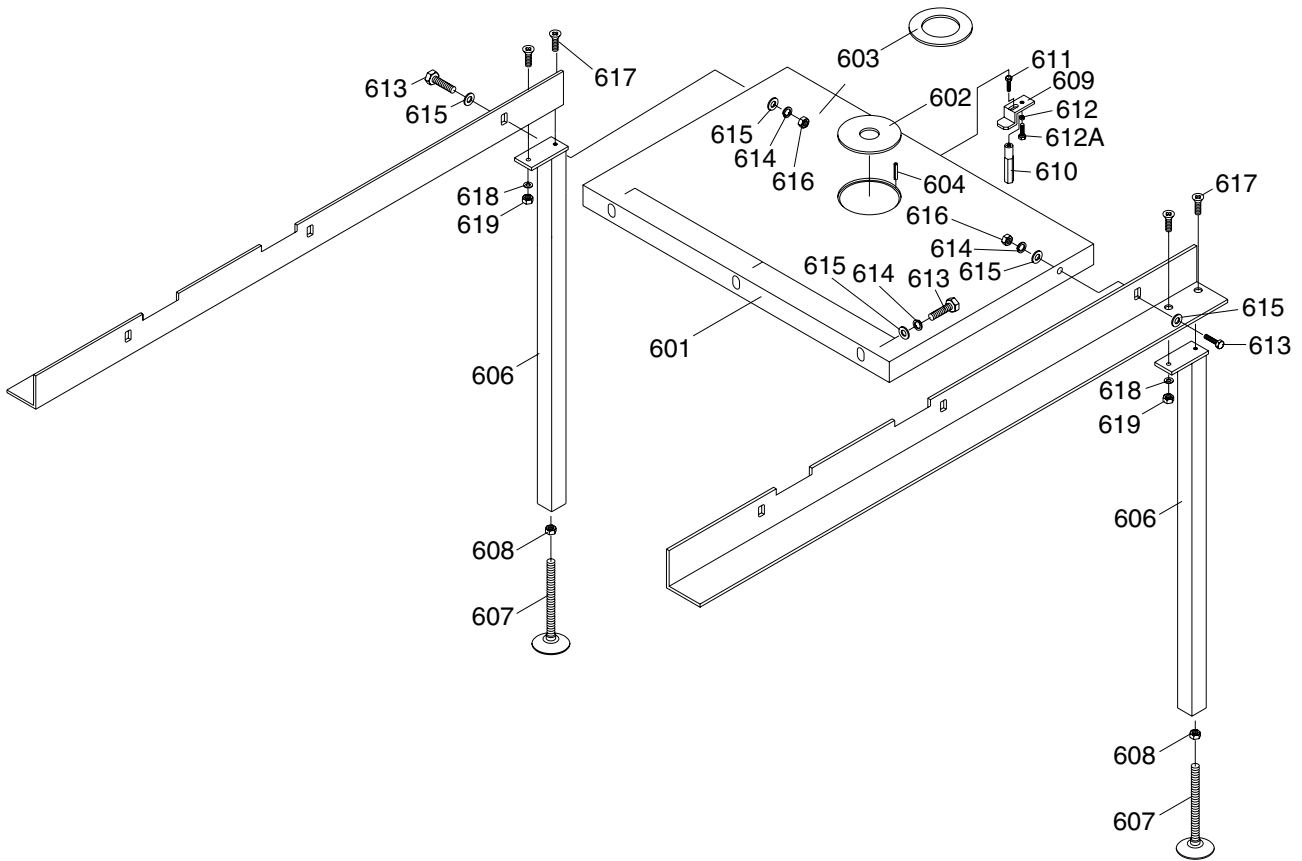


REF	PART #	DESCRIPTION
506	P1023SLX506	EXTENSION LEG
507	P1023SLX507	FRONT RAIL TUBE
510	P1023SLX510	REAR RAIL
510A	P1023SLX510A	FRONT RAIL SUPPORT
511	P1023SLX511	SCALE
514	P1023SLX514	ADJUSTABLE FOOT
516	PB05	HEX BOLT 1/4-20 X 3/4
518	PB18	HEX BOLT 3/8-16 X 1
519	PN34	HEX NUT 1/2-12
526	PFH21	FLAT HD SCR 1/4-20 X 3/4

REF	PART #	DESCRIPTION
531	PW06	FLAT WASHER 1/4
532	PW02	FLAT WASHER 3/8
533	PW06	FLAT WASHER 1/4
534	PN05	HEX NUT 1/4-20
535	PB65	HEX BOLT 3/8-16 X 5/8
536	PB21	HEX BOLT 3/8-16 X 3/4
546	PW02	FLAT WASHER 3/8
547	PB19	HEX BOLT 1/4-20 X 1/2
548	P1023SLX548	BRACE
551	P1023SL551	RAIL WARNING LABEL



G1023SLW, X, X3 Router Table & Legs Parts



REF	PART #	DESCRIPTION
601	P1023SLW601	ROUTER TABLE EXT WING
602	P1023SLW602	TABLE INSERT 29MM
603	P1023SLW603	TABLE INSERT 60MM
604	P1023SLW604	ROLL PIN 3 X 9
606	P1023SLW606	EXTENSION LEG
607	P1023SLW607	ADJUSTABLE FOOT
608	PN06	HEX NUT 1/2-12
609	P1023SLW609	MOTOR CLAMP PIECE
610	P1023SLW610	STUD
611	PB10	HEX BOLT 1/4-20 X 2

REF	PART #	DESCRIPTION
612	PN05	HEX NUT 1/4-20
612A	PB31	HEX BOLT 1/4-20 X 1
613	PB24	HEX BOLT 3/8-16 X 1-1/4
614	PLW04	LOCK WASHER 3/8
615	PW02	FLAT WASHER 3/8
616	PN08	HEX NUT 3/8-16
617	PFH05	FLAT HD SCR 1/4-20 X 3/4
618	PW06	FLAT WASHER 1/4
619	PN05	HEX NUT 1/4-20

