

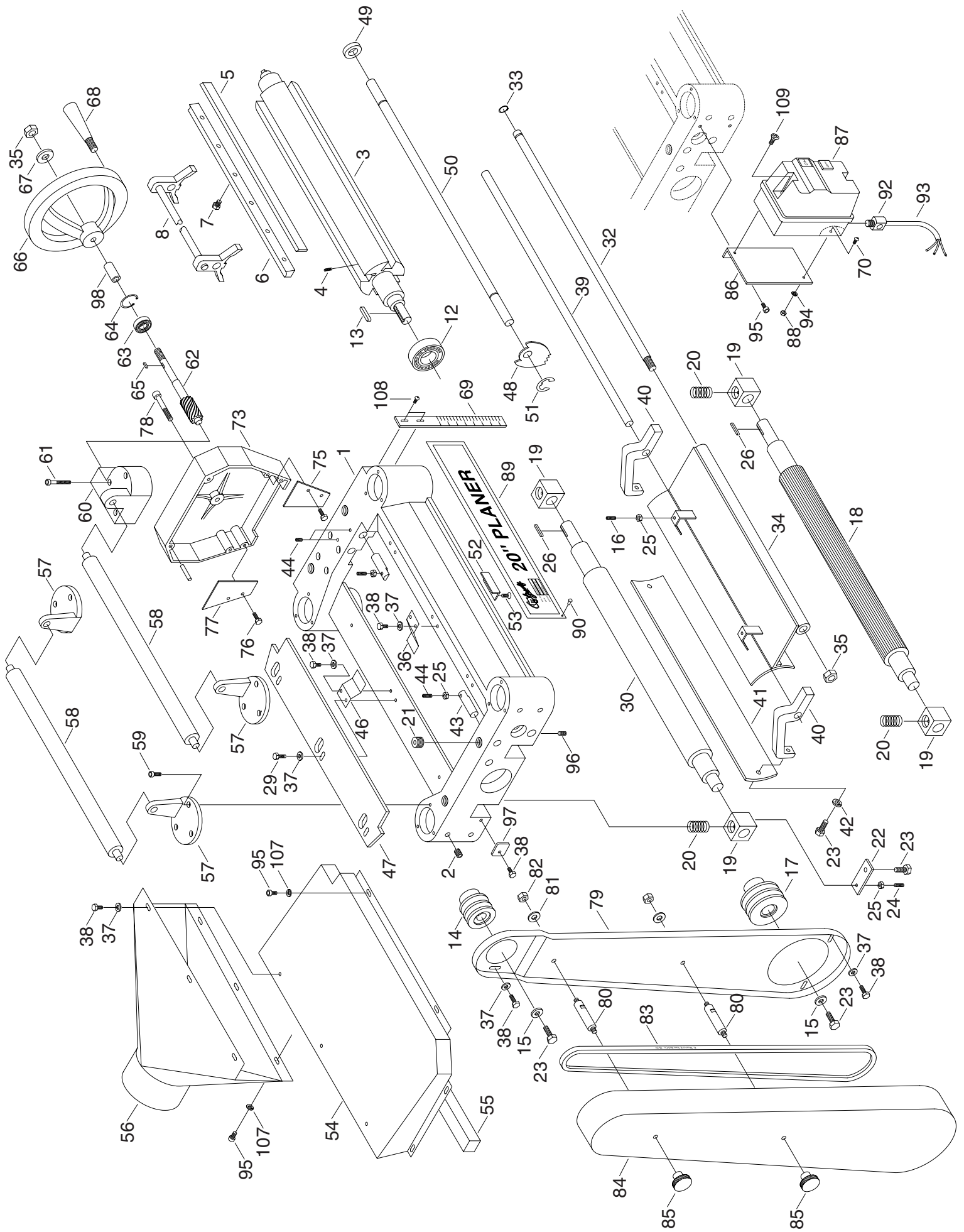
20" PLANER MODEL G1033 PARTS LIST



COPYRIGHT © 1990 BY GRIZZLY INDUSTRIAL, INC.
**WARNING: NO PORTION OF THIS MANUAL MAY BE REPRODUCED IN ANY SHAPE
OR FORM WITHOUT THE WRITTEN APPROVAL OF GRIZZLY INDUSTRIAL, INC.**
REVISED APRIL, 1999. PRINTED IN U.S.A.

PARTS LIST DISCLAIMER

THIS PARTS LIST AND DRAWINGS REPRESENT THE CONFIGURATION OF THE MACHINE AS IT IS CURRENTLY BEING SHIPPED. THE MACHINE CONFIGURATION CAN CHANGE AS PRODUCT IMPROVEMENTS ARE INCORPORATED. IF YOU OWN AN EARLIER VERSION OF THE MACHINE, THIS PARTS LIST MAY NOT DEPICT YOUR MACHINE EXACTLY. CONTACT CUSTOMER SERVICE IF YOU HAVE ANY QUESTIONS ABOUT PART DIFFERENCES. PREVIOUS PARTS LIST VERSIONS ARE NOT AVAILABLE ONLINE.

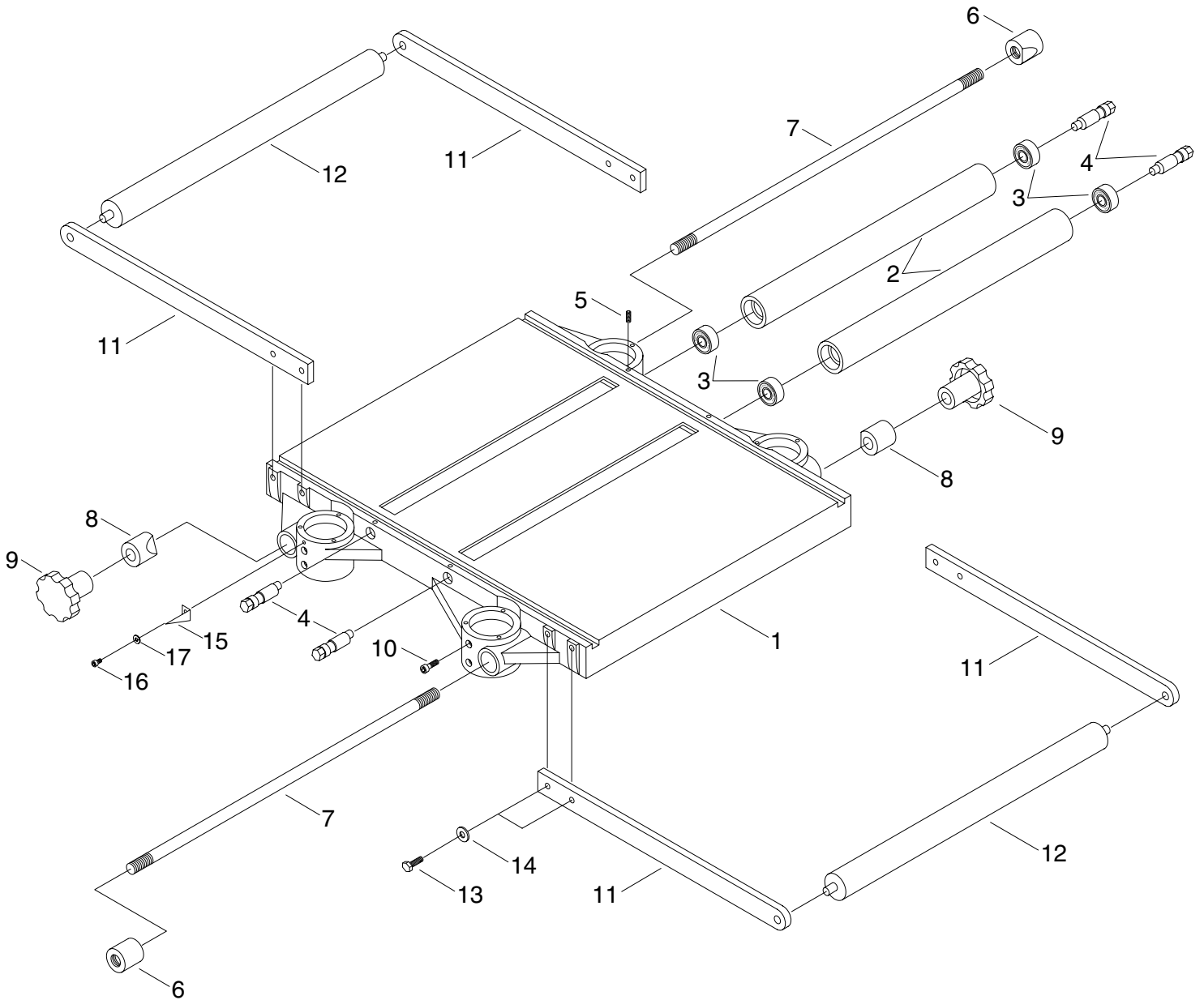


REF	PART #	DESCRIPTION
01	P1033001	HEADCASTING
02	PSS13M	SETSCREW M10-1.5 X 12
03	P1033003	CUTTERHEAD
04	P1021103	SPRING
05	P1033005	BLADES FOR PLANER
06	P1033006	GIB
07	PB17M	HEX BOLT M8-1.25 X 10
08	P1021166	KNIFE GAUGE W/BAR
12	P6206	BEARING 6206
13	PK09M	KEY 8 X 8 X 36
14	P1021007	CUTTERHEAD PULLEY
15	P1033015	WASHER 5/16" X 1 3/16"
16	PSS12M	SETSCREW M6-1.0 X 25
17	P1021008	MOTOR PULLEY
18	P1033018	INFEED ROLLER
19	P1021153	BUSHING BLOCK
20	P1021152	SPRING
21	P1033021	SPECIAL SETSCREW
22	P1021092	PLATE
23	PB09M	HEX BOLT M8-1.25 X 20
24	PSS11M	SETSCREW M6-1.0 X 16
25	PN01M	HEX NUT M6-1.0
26	PK21M	KEY 5 X 5 X 23
29	PB18M	HEX BOLT M6-1.0 X 15
30	P1033030	OUTFEED ROLLER
31	P1021149	SPROCKET
32	P1033032	LOCKING ROD
33	PR03M	SNAP RING 12MM
34	P1033034	CHIP BREAKER
35	PN09M	HEX NUT M12-1.75
36	P1021028	CHIP BREAKER SPRING
37	PW03M	FLAT WASHER 6MM
38	PB03M	HEX BOLT M6-1 X 12
39	P1033039	SHAFT
40	P1033040	BRACKET
41	P1033041	PRESSURE PLATE
42	PLW04M	LOCK WASHER 8MM
43	P1033043	SHAFT
44	PSS11M	SETSCREW M6-1.0 X 16
45	PSS11M	SETSCREW M6-1.0 X 16
46	P1033046	SPRING PLATE
47	P1033047	CHIP DEFLECTOR PLATE
48	P1021161	ANTI-KICKBACK FINGER
49	P1021160	SPACER
50	P1033050	SHAFT
51	PEC06M	E-CLIP 20MM
52	P1033052	DEPTH LIMITER

REF	PART #	DESCRIPTION
53	PFH02M	FLT HD SCR M6-1.0X12
54	P1033054	UPPER COVER
55	P1033055	GASKET
56	P1033056	COLLECTOR
57	P1033057	ROLLER STAND
58	P1033058	ROLLER
59	PSB01M	CAP SCREW M6-1.0 X 16
60	P1033060	WORM GEAR BOX
61	PSB37M	CAP SCREW M6-1.0 X 50
62	P1033062	WORM
63	P6201	BEARING 6201
64	PR29M	SNAP RING 32MM
65	PK05M	KEY 4 X 4 X 10
66	P1033066	HANDWHEEL
67	P1033067	WASHER 1/2" X 1 1/8"
68	P1021032	HANDLE
69	P1033069	SCALE
70	PS08M	PHLP HD SCR M5-0.8X12
73	P1033073	COVER
75	P1033075	SAFETY HATCH
76	PB04M	HEX BOLT M6-1.0X10
77	P1033077	SAFETY HATCH
78	PSB12M	CAP SCREW M8-1.25 X 16
79	P1033079	PULLEY GUARD
80	P1033080	STUD
81	PW07	FLAT WASHER 5/16"
82	PN02	HEX NUT 5/16" X 18
83	PVM59	V-BELT M59 3L590
84	P1033084	PULLEY COVER
85	P1033085	KNOB
86	P1033086	SWITCH BRACKET
87	G4573	MAGNETIC SWITCH
88	PN06M	HEX NUT M5-0.8
89	P1033089	NAME PLATE
90	P1183095	RIVET
91	P1033091	CHAIN 33 LINKS
92	P1071075	STRAIN RELIEF
93	P1033093	POWER CORD
94	P1033094	STAR WASHER #10
95	PSB04M	CAP SCREW M6-1.0X10
96	PSS14M	SETSCREW M8-1.25X12
97	P1033097	RETAINER
98	P1033098	COLLAR
107	PLW03M	LOCK WASHER 6MM
108	PS09M	PHLP HD SCR M5-0.8X10
109	PSW01-1	PLASTIC SCREW

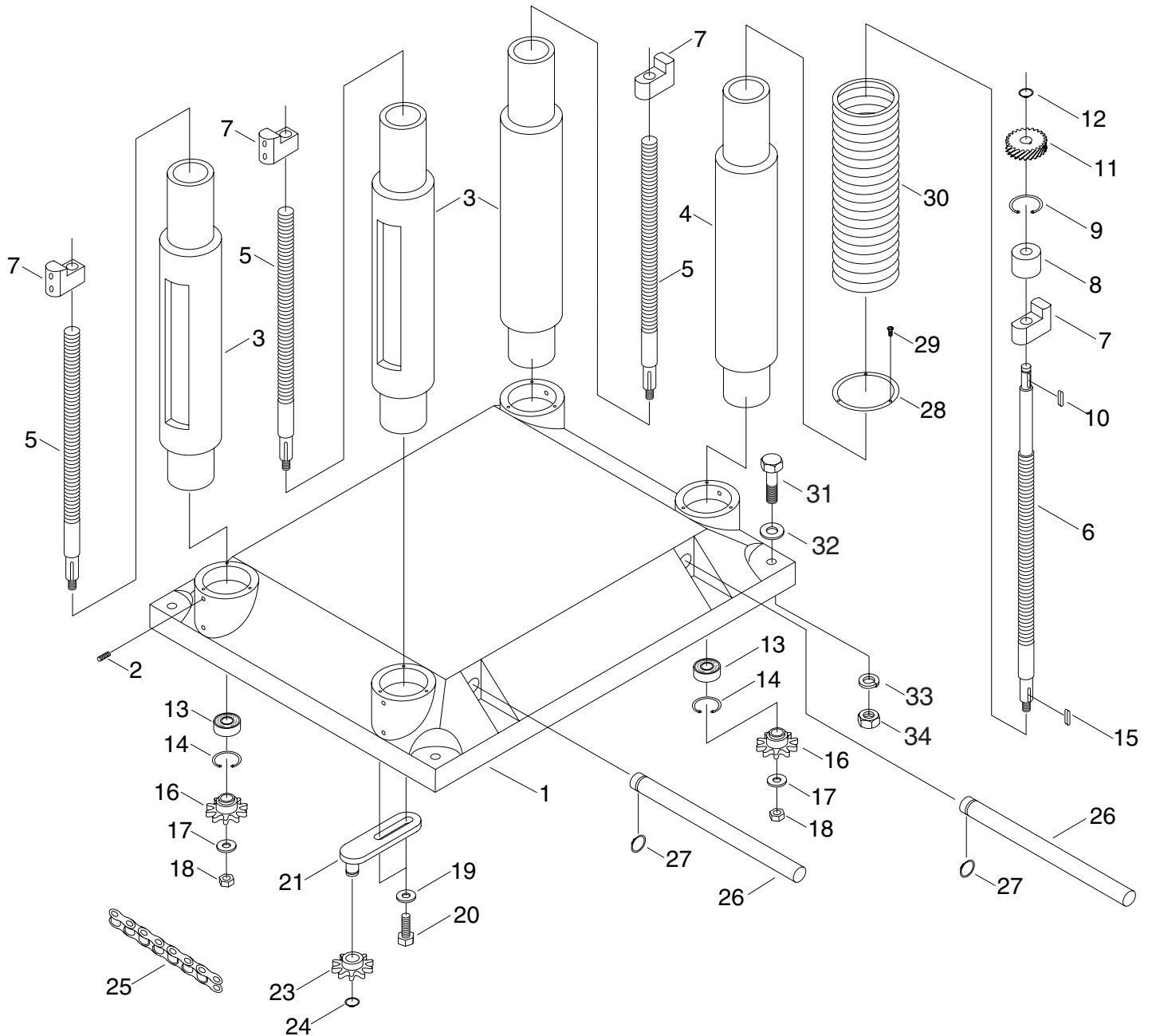
REF	PART #	DESCRIPTION
01	P1033201	MIDDLE TABLE
02	P1033202	ROLLER
03	P6201	BEARING 6201
04	P1033204	ECCENTRIC SHAFT
05	PSS04M	SETSCREW M6-1.0X12
06	P1021143	THREADED GIB
07	P1033207	LOCK ROD
08	P1021146	GIB
09	P1021145	KNOB

REF	PART #	DESCRIPTION
10	PSB14M	CAP SCREW M10-1.25X20
11	P1033211	EXT ROLLER BAR
12	P1033212	EXTENSION ROLLER
13	PB32M	HEX BOLT M10-1.5X25
14	PW04M	FLAT WASHER 10MM
15	P1033071	POINTER
16	PSB04M	CAP SCREW M6-1.0X10
17	PLW03M	LOCK WASHER 6MM

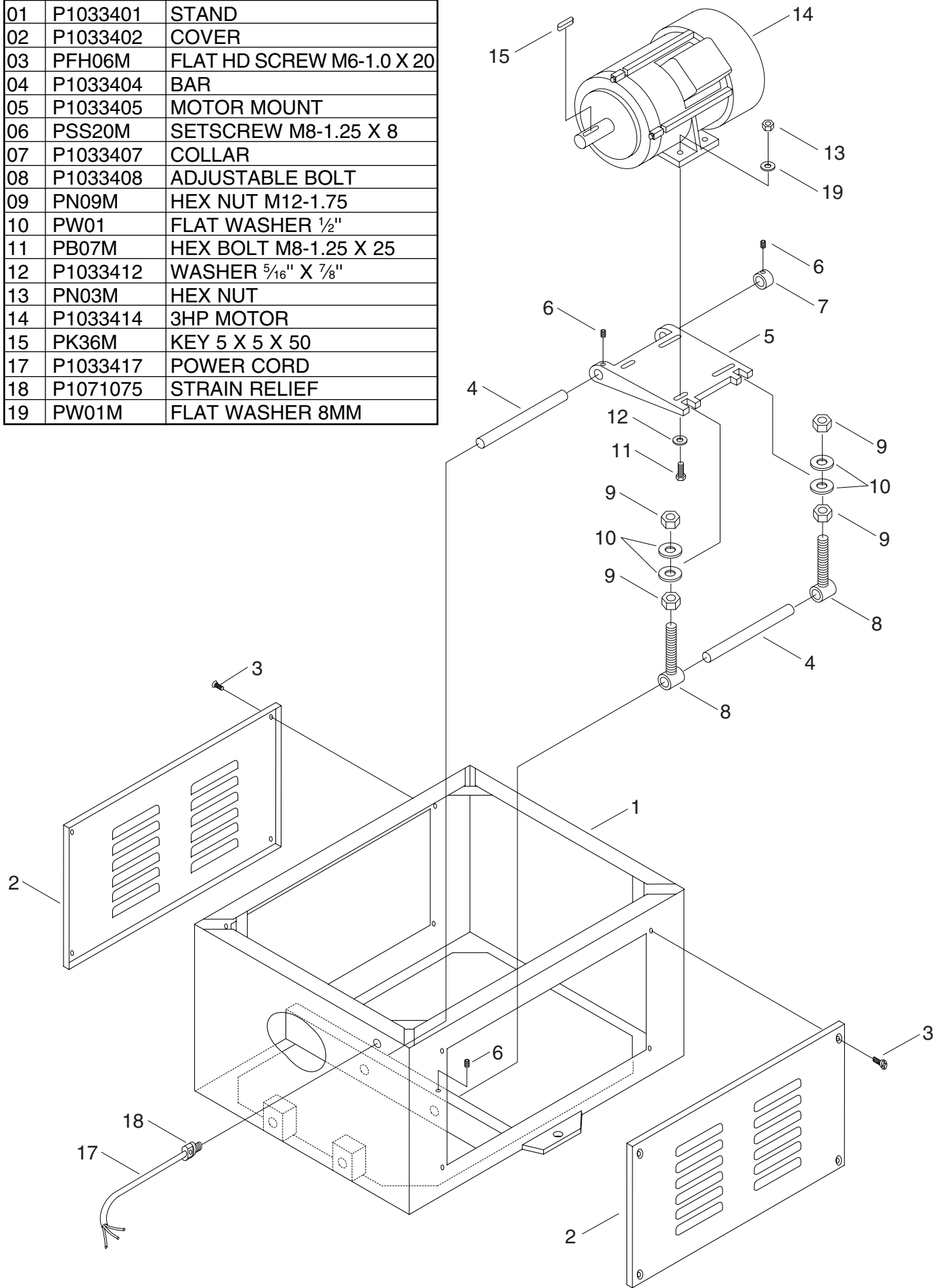


REF PART #	DESCRIPTION	
01	P1033301	BASE
02	PSS13M	SETSCREW M10-1.5 X 12
03	P1033303	COLUMN
04	P1033304	COLUMN
05	P1033305	LEADSCREW
06	P1033306	LEADSCREW
07	P1033307	LEADSCREW NUT
08	P1033308	BUSHING
09	PR22M	INT RETAINING RING 38MM
10	PK10M	KEY 5 X 5 X 12
11	P1033311	GEAR
12	PR03M	SNAP RING 12MM
13	P6202	BALL BEARING 6202
14	PR21M	SNAP RING 35MM
15	PK08M	KEY 5 X 5 X 16
16	P1033316	SPROCKET

REF PART #	DESCRIPTION	
17	P1033317	WASHER
18	PN08M	HEX NUT M10-1.25
19	PW01M	FLAT WASHER 8MM
20	PB07M	HEX BOLT M8-1.25 X 25
21	P1033321	BRACKET W/ SHAFT
23	P1033323	SPROCKET
24	PR05M	SNAP RING 15MM
25	P1033325	CHAIN
26	P1033326	CRANE POST
27	PR08M	EXT RETAINING RING 19MM
28	P1033328	PIPE BAND
29	P1033329	SCREW
30	P1033330	EXPANSION BAND BAND</td
31	PB33M	HEX BOLT M12-1.75 X 50
32	PW06M	FLAT WASHER 12MM
33	PLW05M	LOCK WASHER 12MM
34	PN09M	HEX NUT M12-1.75

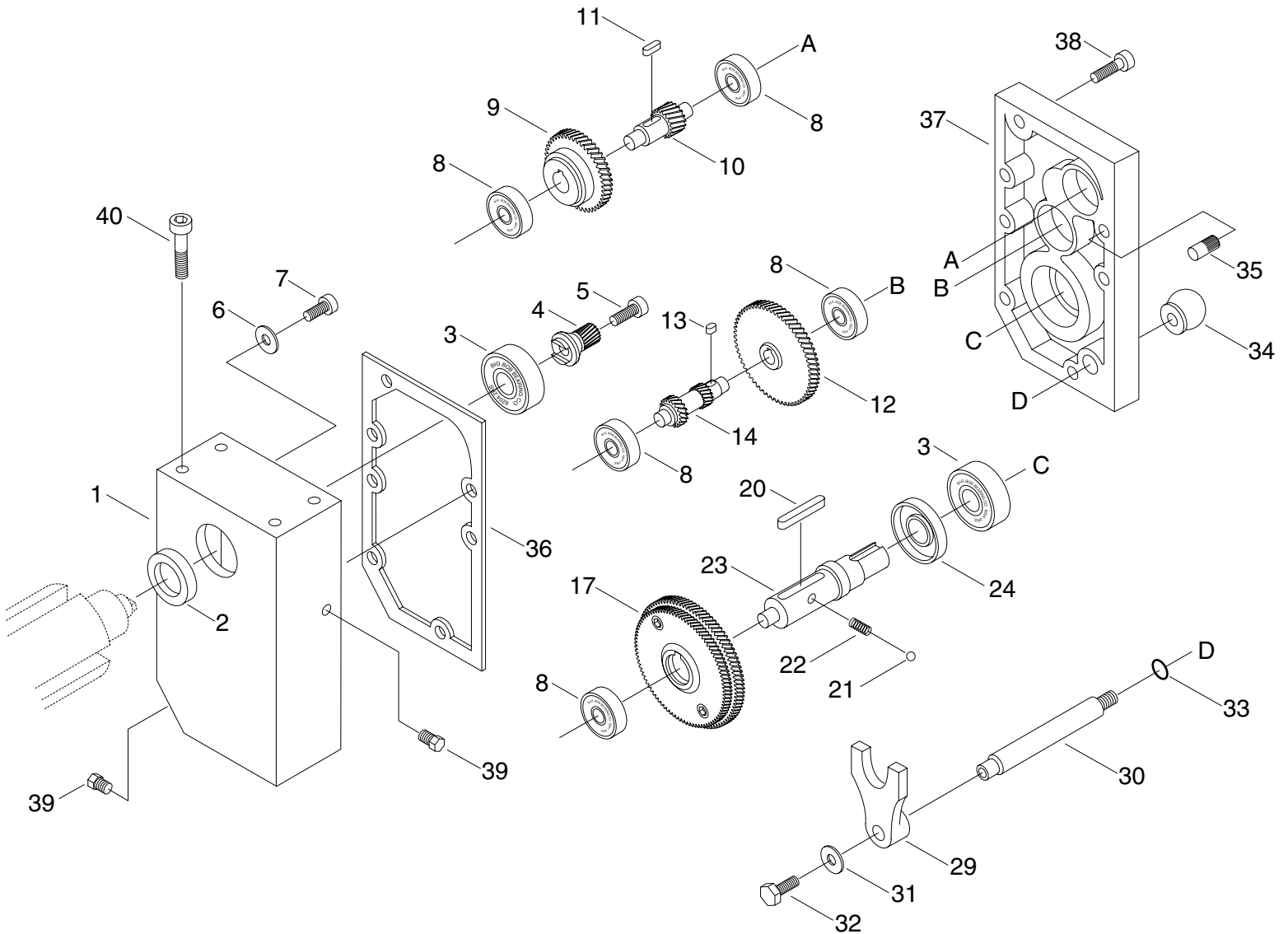


REF	PART #	DESCRIPTION
01	P1033401	STAND
02	P1033402	COVER
03	PFH06M	FLAT HD SCREW M6-1.0 X 20
04	P1033404	BAR
05	P1033405	MOTOR MOUNT
06	PSS20M	SETSCREW M8-1.25 X 8
07	P1033407	COLLAR
08	P1033408	ADJUSTABLE BOLT
09	PN09M	HEX NUT M12-1.75
10	PW01	FLAT WASHER 1/2"
11	PB07M	HEX BOLT M8-1.25 X 25
12	P1033412	WASHER 5/16" X 7/8"
13	PN03M	HEX NUT
14	P1033414	3HP MOTOR
15	PK36M	KEY 5 X 5 X 50
17	P1033417	POWER CORD
18	P1071075	STRAIN RELIEF
19	PW01M	FLAT WASHER 8MM



REF	PART #	DESCRIPTION
01	P1021109	GEAR BOX
02	P1021108	OIL SEAL 28-40-8
03	P6204	BALL BEARING 6204
04	P1021112	GEAR
05	PSB02M	CAP SCREW M6-1.0 X 20
06	P1033028	FLAT WASHER 1/4" X 7/8"
07	PSB28M	CAP SCREW M6-1.0 X 15
08	P6201	BALL BEARING 6201
09	P1021115	GEAR
10	P1021117	GEAR AND SHAFT
11	PK10M	KEY 5 X 5 X 12
12	P1021120	GEAR
13	PK06M	KEY 5 X 5 X 10
14	P1021119	GEAR, 2-SPEED
17	P1021121	DOUBLE GEAR
20	PK11M	KEY 6 X 6 X 40
21	P1021128	BALL 6MM

REF	PART #	DESCRIPTION
22	P1021127	SPRING
23	P1021122	SHAFT
24	P1021125	OIL SEAL 25 X 47 X 7
25	P1021137	SPROCKET
26	PK21M	KEY 5 X 5 X 23
27	P1033527	CHAIN, 25 LINKS
28	PB18M	HEX BOLT M6-1.0 X 15
29	P1021129	SHIFTER
30	P1021131	SHIFTING SHAFT HANDLE
31	PW03M	FLAT WASHER 6MM
32	PB02M	HEX BOLT M6-1.0X12
33	P1021132	O-RING 12MM
34	P1021134	KNOB
35	P1021135	PIN
36	P1021110	GASKET
37	P1021133	GEAR CASE
38	PSB06M	CAP SCREW M6-1.0X25
39	P1021107	OIL PLUG
40	PSB05M	CAP SCREW M8-1.25X50



REF	PART #	DESCRIPTION
01	P1021164	SPROCKET
02	P1033028	WASHER 1/4" X 7/8"
03	PSB18M	CAP SCREW M4-0.7 X 8
04	P1021149	SPROCKET
05	PRP07M	ROLL PIN 6X20
06	P1033091	CHAIN 33 LINKS
07	PSB04M	CAP SCREW M6-1.0 X 10
08	P1033099	CHAIN TENSIONER
09	P1033102	SHAFT

REF	PART #	DESCRIPTION
10	P1033103	HANGER
11	P1033104	SPRING
12	P1033105	SPACER
13	P1033106	OUTER CHAIN TENSIONER
14	P1021137	SPROCKET
15	P1033527	CHAIN 25 LINKS
16	PSB48M	CAP SCREW M6-1.0 X 35
17	PW03M	FLAT WASHER 6MM
18	PK21M	KEY 5 X 5 X 23

