

13" PLANER MOULDER

MODEL G1037

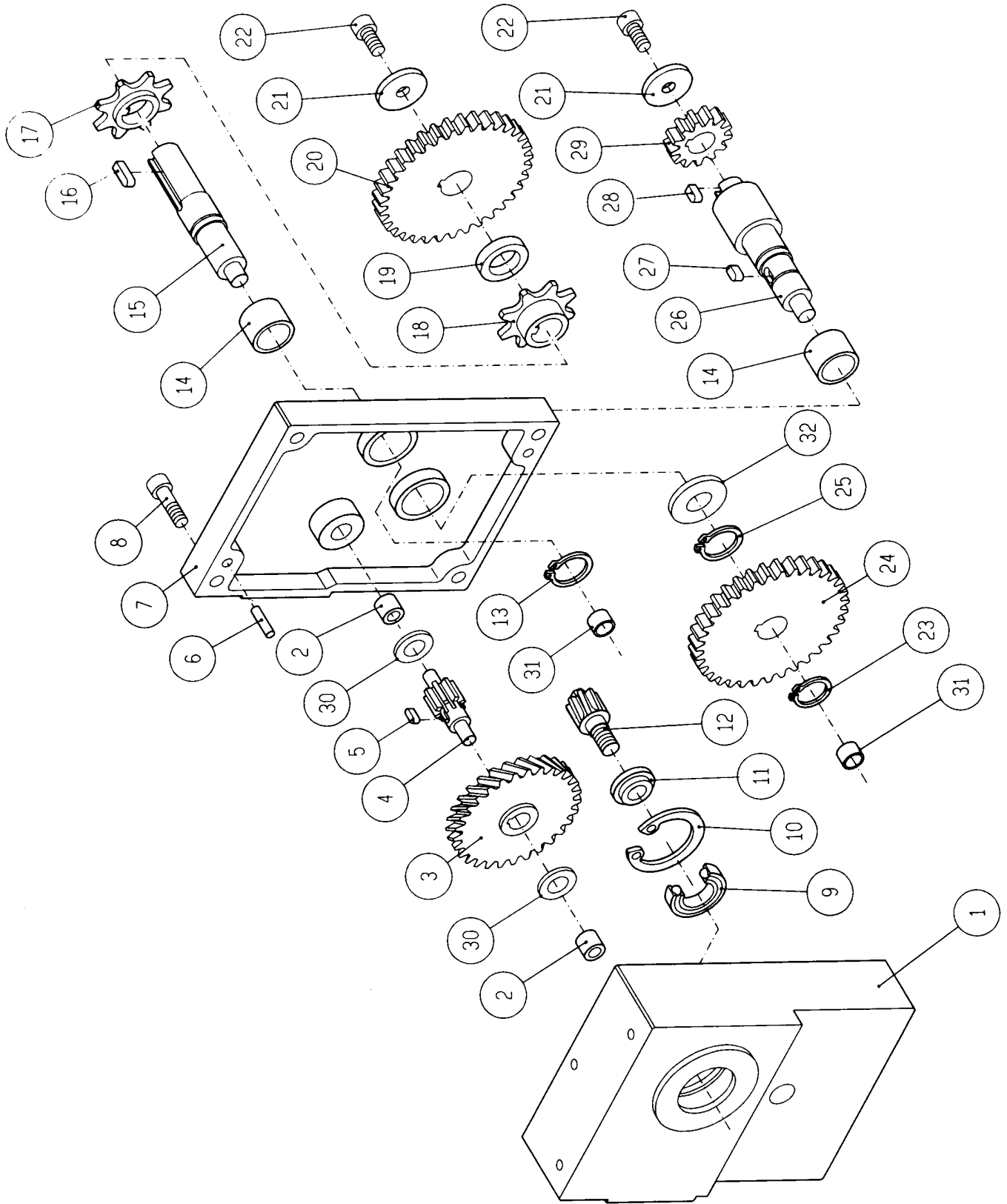
PARTS LIST



COPYRIGHT © 1996 BY GRIZZLY INDUSTRIAL, INC.
**WARNING: NO PORTION OF THIS MANUAL MAY BE REPRODUCED IN ANY SHAPE
OR FORM WITHOUT THE WRITTEN APPROVAL OF GRIZZLY INDUSTRIAL, INC.**
SEPTEMBER, 1997 PRINTED IN TAIWAN

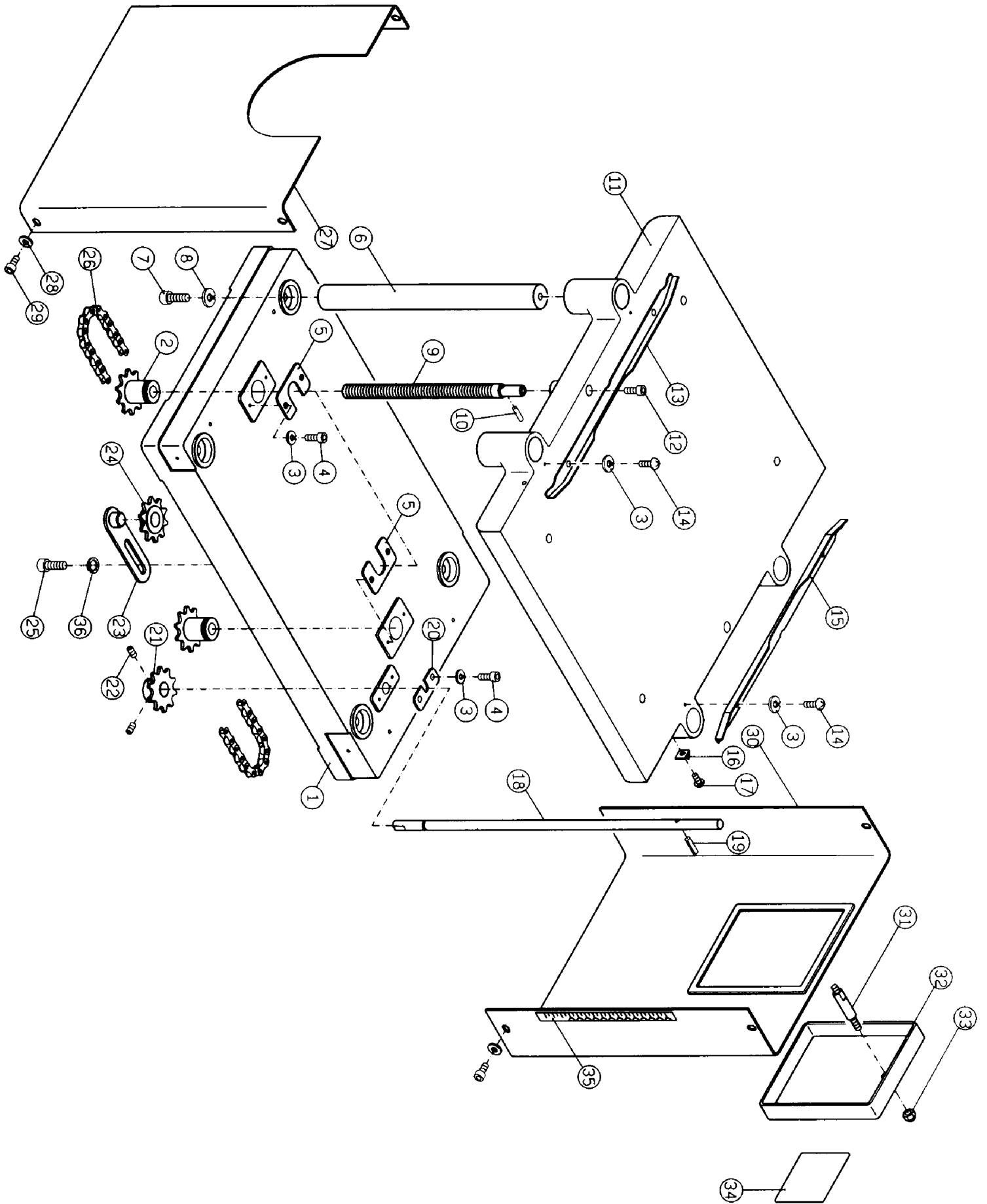
PARTS LIST DISCLAIMER

THIS PARTS LIST AND DRAWINGS REPRESENT THE CONFIGURATION OF THE MACHINE AS IT IS CURRENTLY BEING SHIPPED. THE MACHINE CONFIGURATION CAN CHANGE AS PRODUCT IMPROVEMENTS ARE INCORPORATED. IF YOU OWN AN EARLIER VERSION OF THE MACHINE, THIS PARTS LIST MAY NOT DEPICT YOUR MACHINE EXACTLY. CONTACT CUSTOMER SERVICE IF YOU HAVE ANY QUESTIONS ABOUT PART DIFFERENCES. PREVIOUS PARTS LIST VERSIONS ARE NOT AVAILABLE ONLINE.



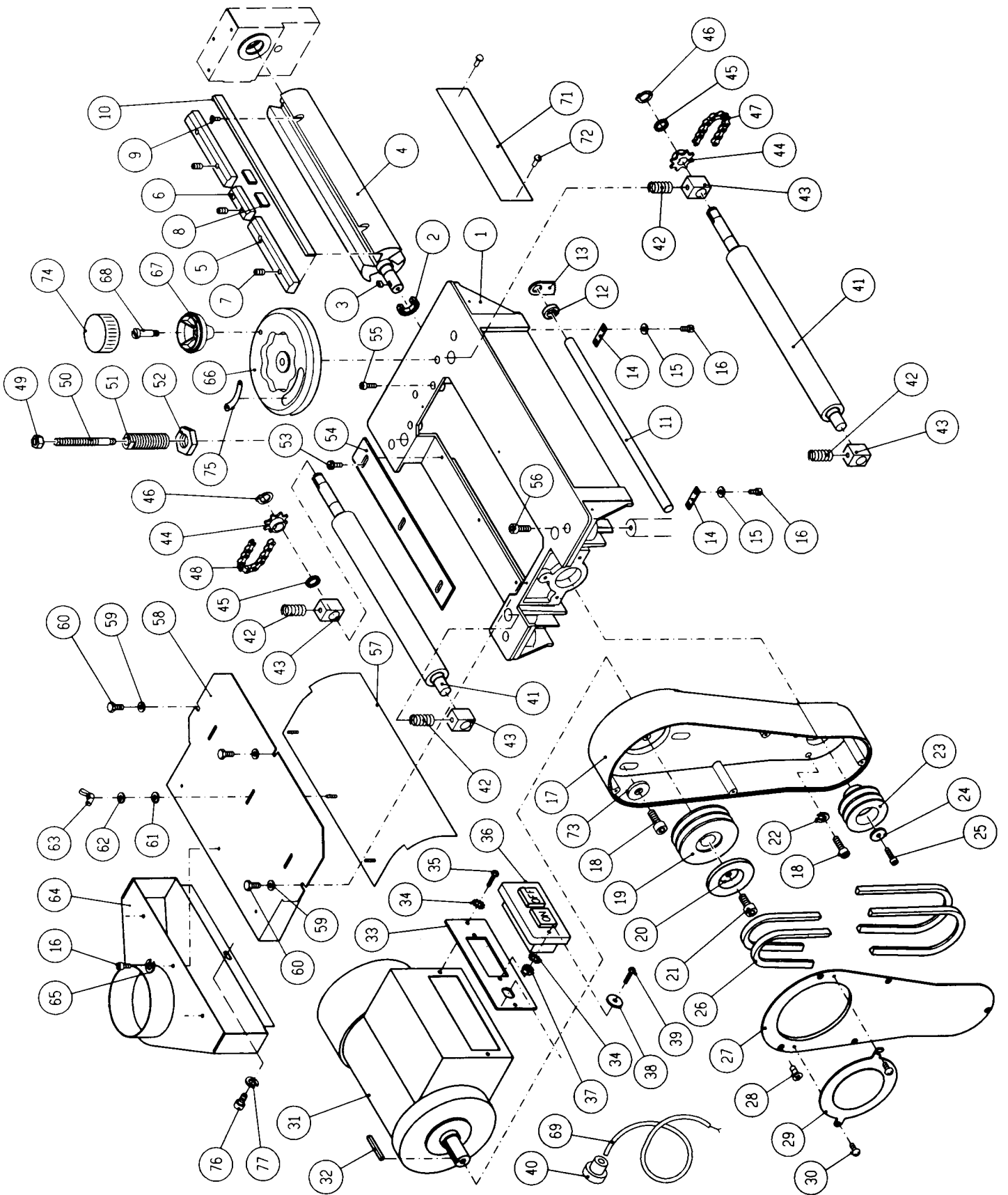
REF	PART #	DESCRIPTION
01	P1037001	GEAR BOX
02	P1037002	BUSHING
03	P1037003	GEAR
04	P1037004	GEAR
05	P1037005	KEY
06	P1037006	POSITIONING PIN
07	P1037007	GEAR BOX
08	P1037008	CAP SCREW
09	P1037009	BEARING
10	P1037010	SNAP RING
11	P1037011	WASHER
12	P1037012	GEAR
13	P1037013	SNAP RING
14	P1037014	BUSHING
15	P1037015	CHAIN SPROCKET SHAFT
16	P1037016	KEY
17	P1037017	CHAIN SPROCKET

REF	PART #	DESCRIPTION
18	P1037018	CHAIN SPROCKET
19	P1037019	SPACER
20	P1037020	GEAR
20A	P1037020A	GEAR
21	P1037021	WASHER
22	P1037022	CAP SCREW
23	P1037023	SNAP RING
24	P1037024	GEAR
25	P1037025	SNAP RING
26	P1037026	OUTPUT SHAFT
27	P1037027	KEY
28	P1037028	KEY
29	P1037029	GEAR
29A	P1037029A	GEAR
30	P1037030	WASHER
31	P1037031	BRONZE BUSHING
32	P1037032	WASHER



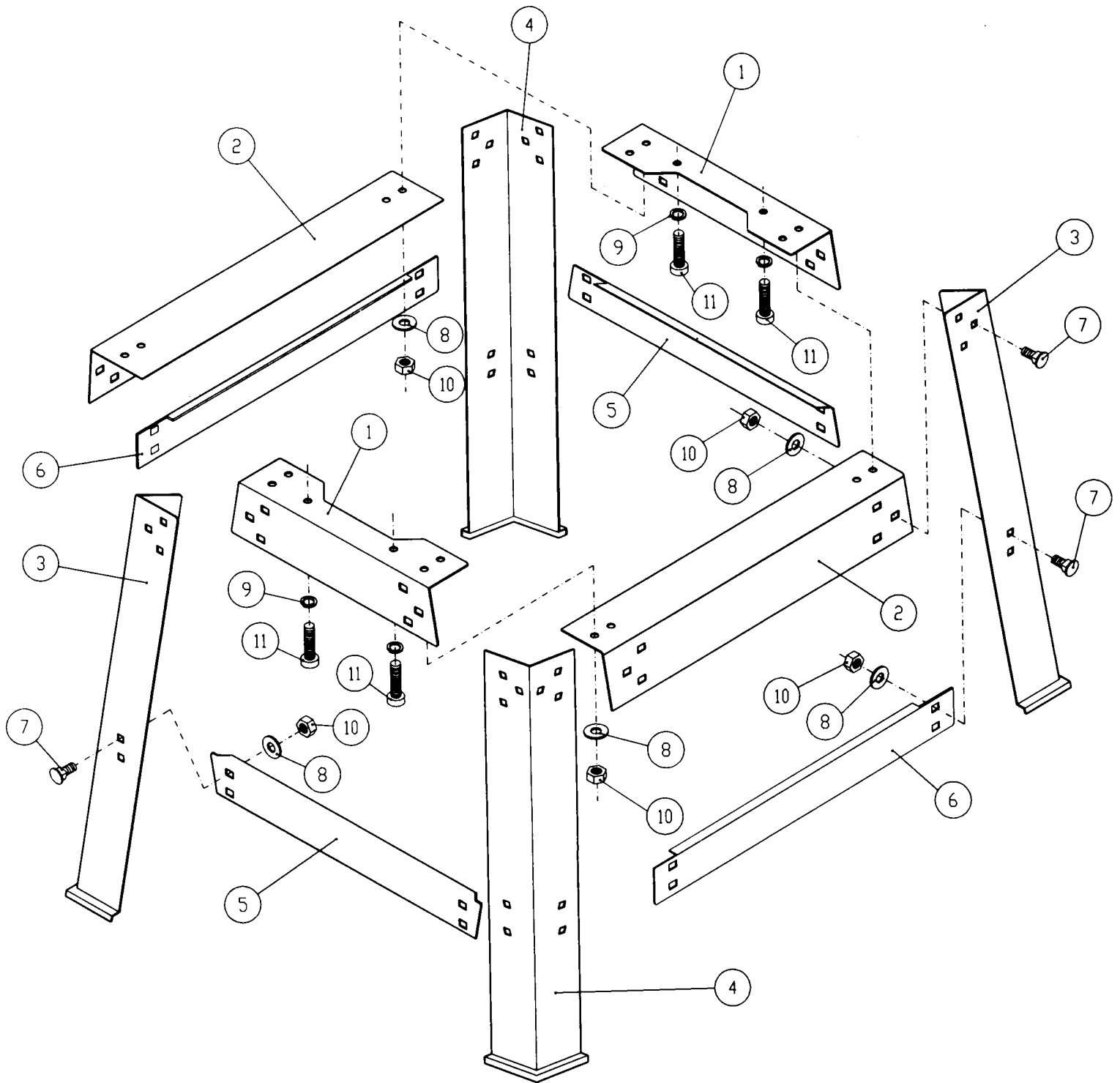
REF	PART #	DESCRIPTION
01	P1037101	BASE MECHANISM
02	P1037102	BASE
03	P1037103	WASHER
04	P1037104	CAP SCREW
05	P1037105	PLATE
06	P1037106	POST
07	P1037107	CAP SCREW
08	P1037108	WASHER
09	P1037109	ELEVATION SCREW
10	P1037110	ROLL PIN
11	P1037111	MIDDLE FRAME
12	P1037112	CAP SCREW
13	P1037113	FENCE, LEFT
14	P1037114	SCREW
15	P1037115	FENCE, RIGHT
16	P1037116	POINTER
17	P1037117	SCREW
18	P1037118	TRANSMISSION SHAFT

REF	PART #	DESCRIPTION
19	P1037119	ROLL PIN
20	P1037120	PLATE
21	P1037121	SPROCKET
22	P1037122	SETSCREW
23	P1037123	IDLE GEAR BRACKET
24	P1037124	SPROCKET
25	P1037125	CAP SCREW
26	P1037126	CHAIN
27	P1037127	COVER, LEFT
28	P1037128	WASHER
29	P1037129	CAP SCREW
30	P1037130	SIDE COVER
31	P1037131	SHAFT
32	P1037132	GEAR BOX COVER
33	P1037133	SPECIAL NUT
34	P1037134	LABEL
35	P1037135	SCALE
36	P1037136	WASHER



REF	PART #	DESCRIPTION
01	P1037201	UPPER FRAME
02	P1037202	BEARING
03	P1037203	KEY
04	P1037204	CUTTERHEAD
05	P1037205	GIB
06	P1037206	GIB
07	P1037207	SETSCREW
08	P1037208	WASHER
09	P1037209	CAP SCREW
10	P1037210	KNIFE
11	P1037211	SHAFT
12	P1037212	SPACER
13	P1037213	ANTI-KICKBACK FINGER
14	P1037214	PLATE
15	P1037215	WASHER
16	P1037216	CAP SCREW
17	P1037217	MOTOR BRACKET
18	P1037218	CAP SCREW
19	P1037219	PULLEY
20	P1037220	TURNING PLATE
21	P1037221	CAP SCREW
22	P1037222	WASHER
23	P1037223	PULLEY
24	P1037224	WASHER
25	P1037225	CAP SCREW
26	P1037226	V-BELT
27	P1037227	BELT COVER
28	P1037228	SCREW
29	P1037229	VALVE
30	P1037230	SCREW
31	P1037231	MOTOR
32	P1037232	KEY
33	P1037233	SWITCH COVER
34	P1037234	SPECIAL WASHER
35	P1037235	SCREW
36	P1037236	SWITCH
37	P1037237	COVER
38	P1037238	WASHER

REF	PART #	DESCRIPTION
39	P1037239	SCREW
40	P1037240	CLAMP
41	P1037241	ROLLER
42	P1037242	SPRING
43	P1037243	ROLLER BRACKET
44	P1037244	CHAIN SPROCKET
45	P1037245	SPACER
46	P1037046	SNAP RING
47	P1037247	CHAIN
48	P1037248	CHAIN
49	P1037249	NUT
50	P1037250	ADJUSTMENT SHAFT
51	P1037251	ADJUSTABLE SHAFT
52	P1037250	ADJUSTMENT NUT
53	P1037251	SPECIAL SCREW
54	P1037254	CHIP GUARD PLATE
55	P1037255	CAP SCREW
56	P1037256	CAP SCREW
57	P1037257	CHIP GUARD
58	P1037258	CHIP GUARD
59	P1037259	WASHER
60	P1037260	SCREW
61	P1037261	WASHER
62	P1037262	WASHER
63	P1037263	WING NUT
64	P1037264	DUST CHUTE
65	P1037265	WASHER
66	P1037266	HANDWHEEL
67	P1037267	HAND KNOB
68	P1037268	SCREW SHAFT
69	P1037269	POWER CORD
71	P1037271	NAME PLATE
72	P1037272	RIVET
73	P1037273	WASHER
74	P1037274	HANDLE GUARD
75	P1037275	WARNING LABEL
76	P1037276	CAP SCREW
77	P1037277	WASHER



REF	PART #	DESCRIPTION
01	P1037301	UPPER PLATE, R & L
02	P1037302	UPPER PLATE, F & B
03	P1037303	LEG
04	P1037304	LEG
05	P1037305	BRACE, R & L
06	P1037306	BRACE, F & B

REF	PART #	DESCRIPTION
07	P1037307	CARRIAGE BOLT
08	P1037308	WASHER
09	P1037309	WASHER
10	P1037310	HEX NUT
11	P1037311	CAP SCREW