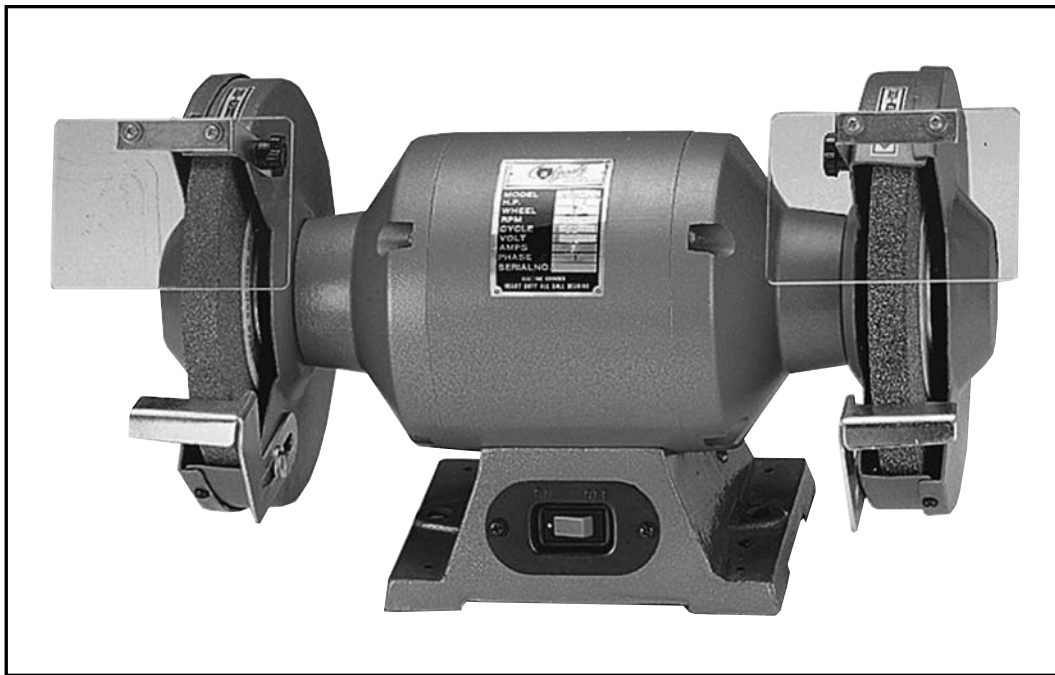




**BENCH GRINDER
MODEL G1062 & MODEL G1063
INSTRUCTION MANUAL**



COPYRIGHT © 1994 BY GRIZZLY IMPORTS, INC.

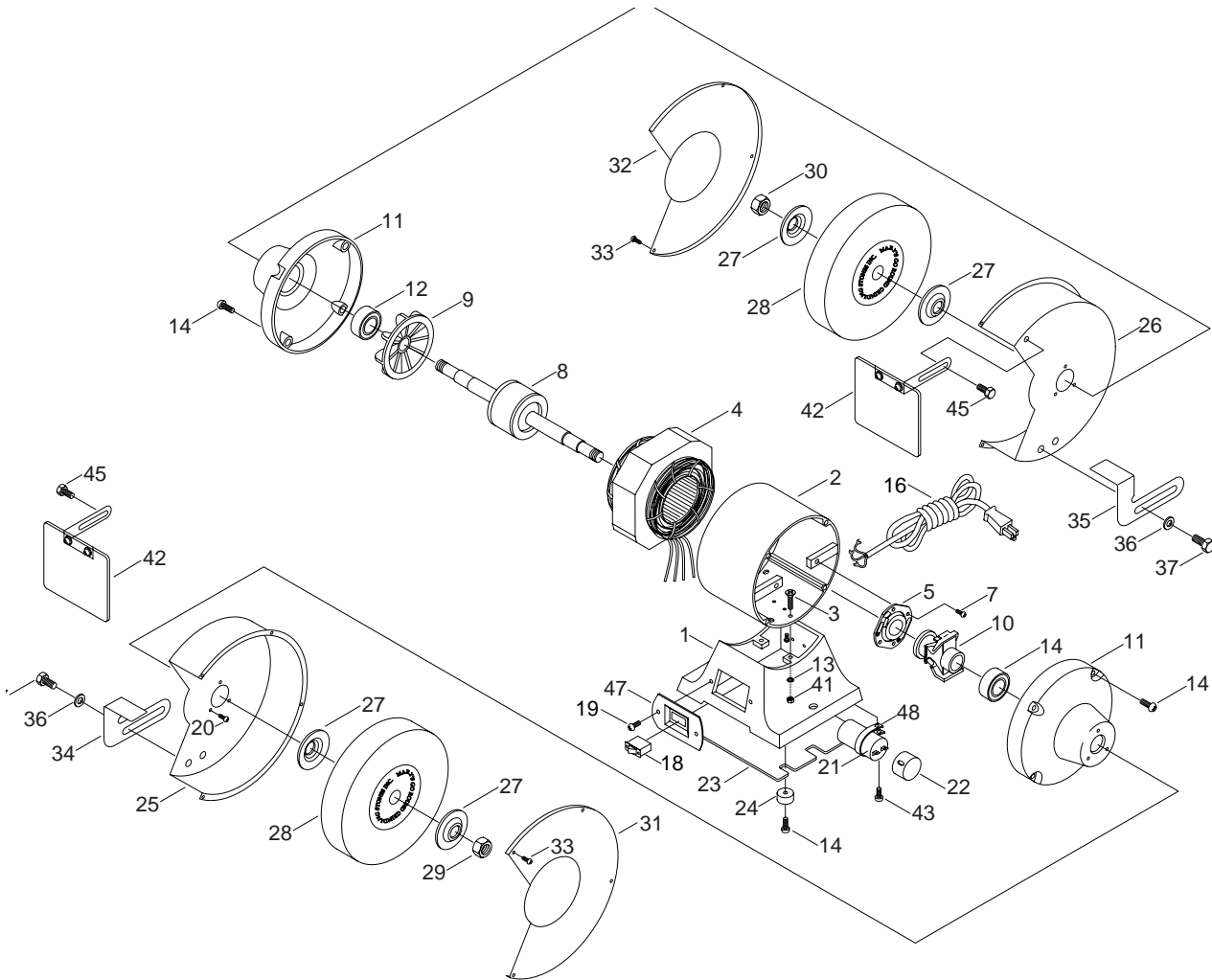
WARNING: NO PORTION OF THIS MANUAL MAY BE REPRODUCED IN ANY SHAPE OR FORM WITHOUT THE WRITTEN APPROVAL OF GRIZZLY IMPORTS, INC.

NOVEMBER 1994. PRINTED IN USA

DISCONTINUED MACHINE PARTS LIST DISCLAIMER

THESE PARTS REPRESENT THE LAST CONFIGURATION OF THE MACHINE BEFORE IT WAS DISCONTINUED. MACHINE CONFIGURATIONS MAY HAVE CHANGED AS PRODUCT IMPROVEMENTS WERE INCORPORATED. IF YOU OWN AN EARLIER VERSION OF THE MACHINE, THIS PARTS LIST MAY NOT EXACTLY DEPICT YOUR MACHINE. CONTACT CUSTOMER SERVICE IF YOU HAVE ANY QUESTIONS ABOUT PART DIFFERENCES. PREVIOUS PARTS LIST VERSIONS ARE NOT AVAILABLE ONLINE.

XIV. PARTS DIAGRAM



XV. PARTS LIST

REF	DESCRIPTION	REF	DESCRIPTION	REF	DESCRIPTION
1	BASE	18	SWITCH	32	LEFT GUARD
2	CASE	19	PHLP HEAD SCREW	33	PHLP HD SCREW
3	FLAT HEAD SCREW	20	PHLP HEAD SCREW	34	RIGHT TOOL REST
4	STATOR	21	CAPACITOR	35	LEFT TOOL REST
5	CONTACT PLATE	22	CAP	36	WASHER
7	PHLP HEAD SCREW	23	BOTTOM COVER	37	HEX BOLT
8	ROTOR	24	FOOT	41	HEX NUT
9	FAN	25	RIGHT GUARD	42	COMPLETE EYE SHIELD
10	CENTRIFUGAL SWITCH	26	LEFT GUARD	43	SCREW
11	END BELL	27	FLANGE	46	HEX BOLT
12	BEARING	28	GRINDING WHEEL	47	SWITCH MOUNT
13	LOCK WASHER	29	NUT LH	48	CLAMP
14	PHLP HEAD SCREW	30	NUT RH		
16	POWER CORD	31	RIGHT COVER		