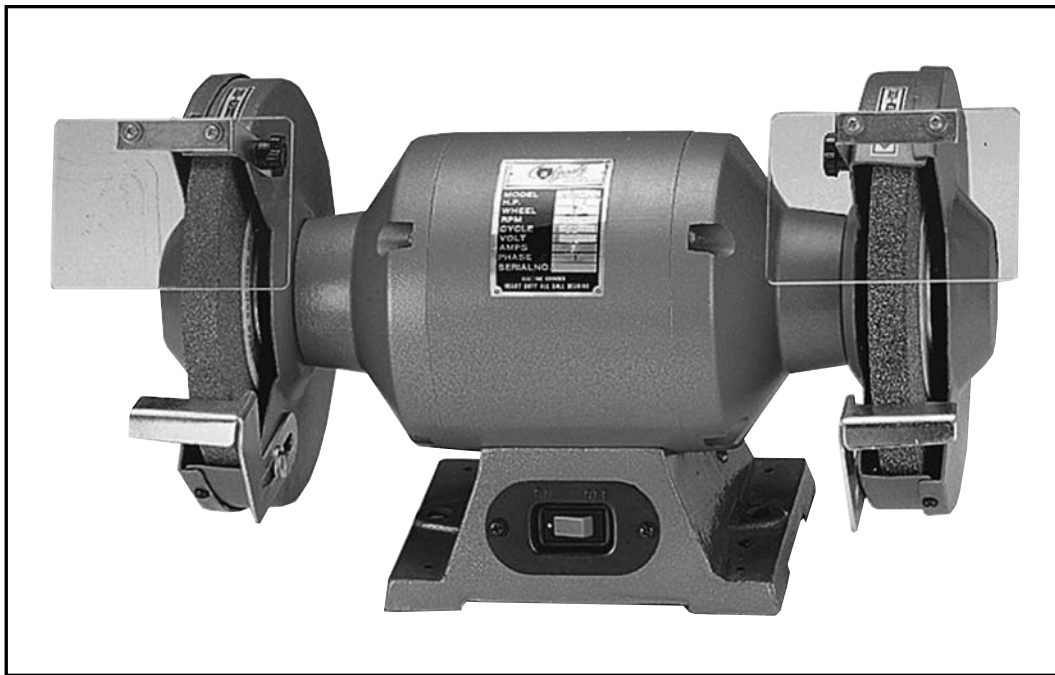




# BENCH GRINDER

## MODEL G1062 & MODEL G1063

### INSTRUCTION MANUAL



COPYRIGHT © 1994 BY GRIZZLY IMPORTS, INC.

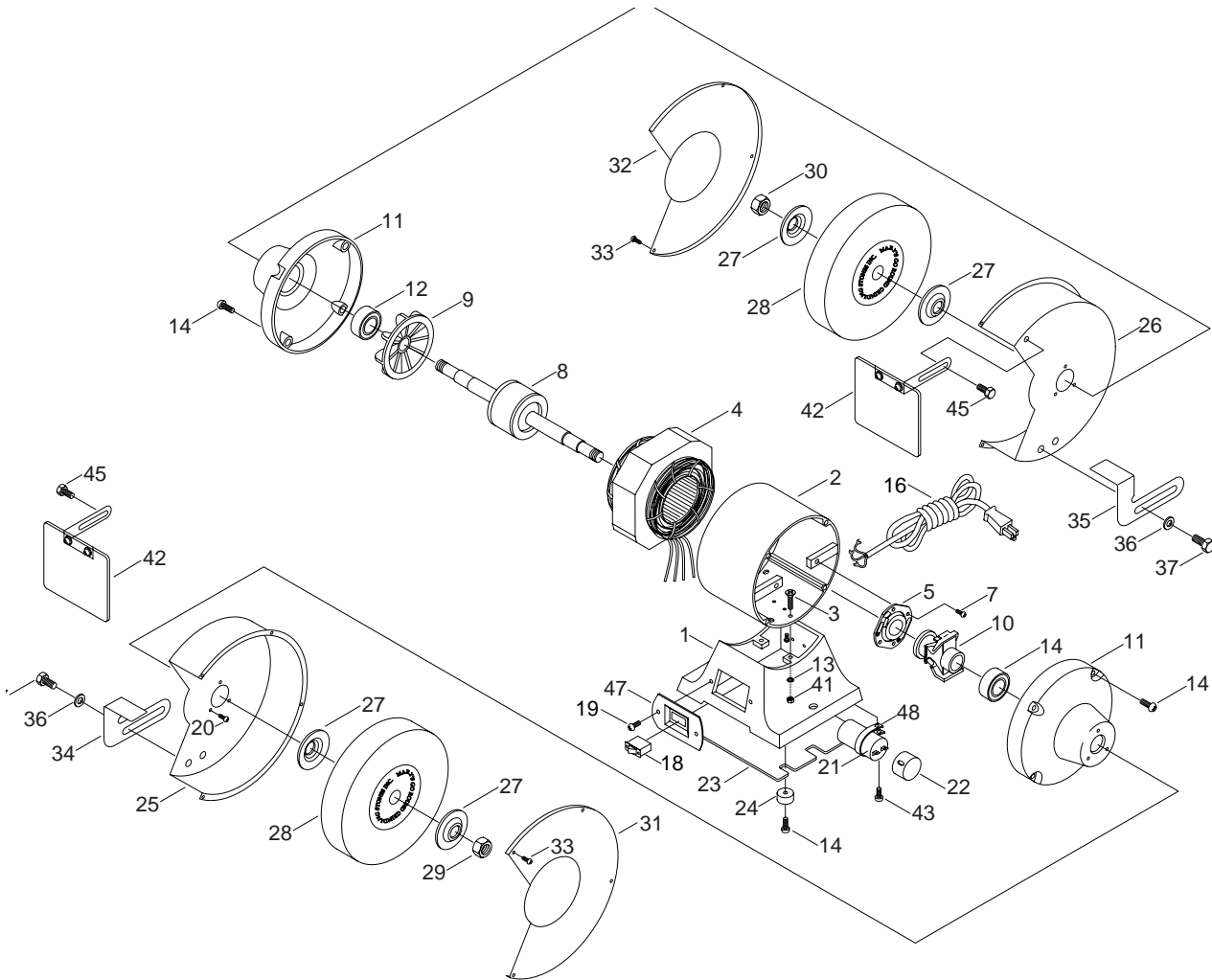
**WARNING: NO PORTION OF THIS MANUAL MAY BE REPRODUCED IN ANY SHAPE OR FORM WITHOUT THE WRITTEN APPROVAL OF GRIZZLY IMPORTS, INC.**

NOVEMBER 1994. PRINTED IN USA

#### DISCONTINUED MACHINE PARTS LIST DISCLAIMER

THESE PARTS REPRESENT THE LAST CONFIGURATION OF THE MACHINE BEFORE IT WAS DISCONTINUED. MACHINE CONFIGURATIONS MAY HAVE CHANGED AS PRODUCT IMPROVEMENTS WERE INCORPORATED. IF YOU OWN AN EARLIER VERSION OF THE MACHINE, THIS PARTS LIST MAY NOT EXACTLY DEPICT YOUR MACHINE. CONTACT CUSTOMER SERVICE IF YOU HAVE ANY QUESTIONS ABOUT PART DIFFERENCES. PREVIOUS PARTS LIST VERSIONS ARE NOT AVAILABLE ONLINE.

## XIV. PARTS DIAGRAM



## XV. PARTS LIST

REF DESCRIPTION	REF DESCRIPTION	REF DESCRIPTION
1 BASE	18 SWITCH	32 LEFT GUARD
2 CASE	19 PHLP HEAD SCREW	33 PHLP HD SCREW
3 FLAT HEAD SCREW	20 PHLP HEAD SCREW	34 RIGHT TOOL REST
4 STATOR	21 CAPACITOR	35 LEFT TOOL REST
5 CONTACT PLATE	22 CAP	36 WASHER
7 PHLP HEAD SCREW	23 BOTTOM COVER	37 HEX BOLT
8 ROTOR	24 FOOT	41 HEX NUT
9 FAN	25 RIGHT GUARD	42 COMPLETE EYE SHIELD
10 CENTRIFUGAL SWITCH	26 LEFT GUARD	43 SCREW
11 END BELL	27 FLANGE	46 HEX BOLT
12 BEARING	28 GRINDING WHEEL	47 SWITCH MOUNT
13 LOCK WASHER	29 NUT LH	48 CLAMP
14 PHLP HEAD SCREW	30 NUT RH	
16 POWER CORD	31 RIGHT COVER	