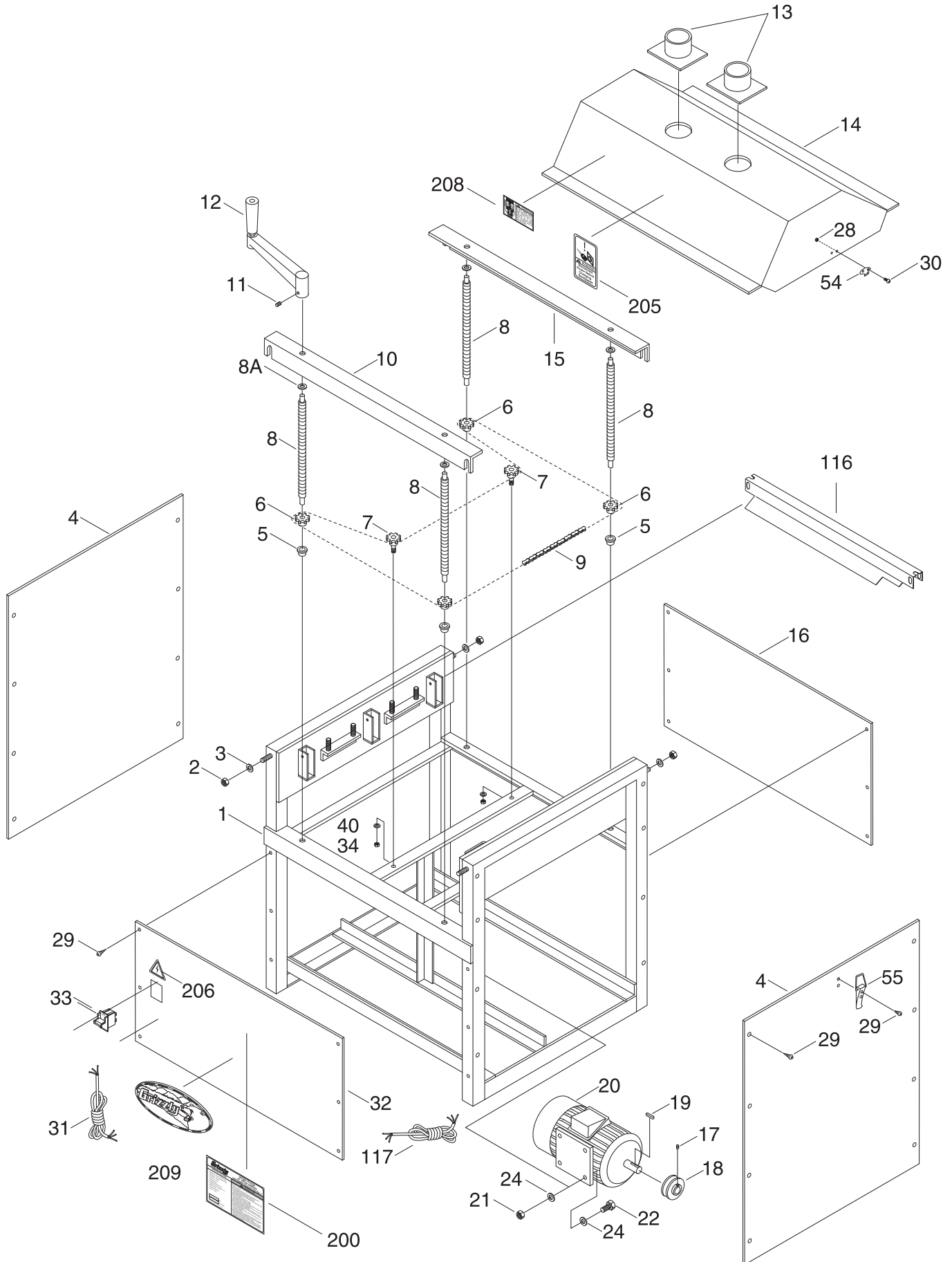
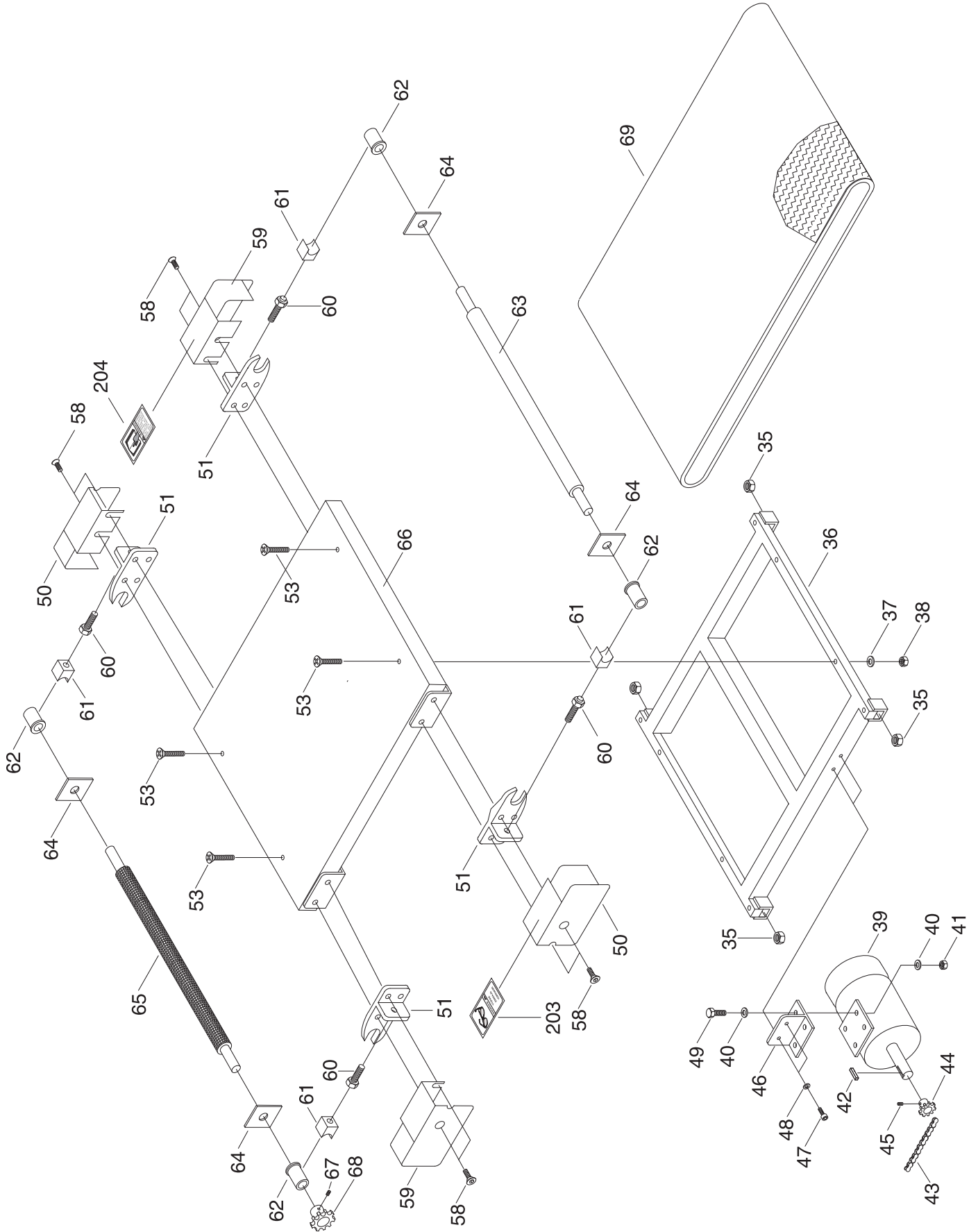


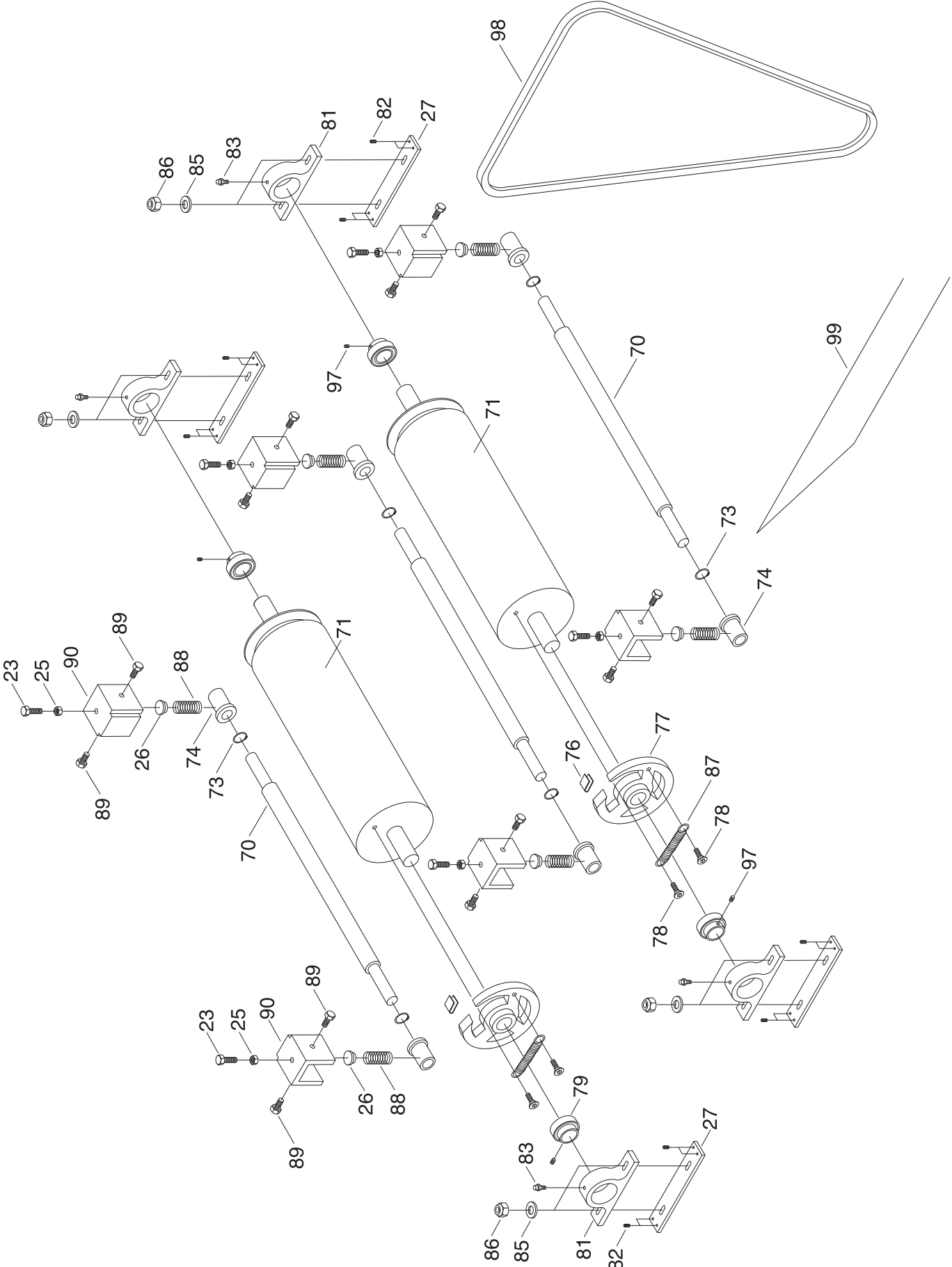
G1079R Stand & Table Elevation Parts



G1079R Feed Belt & Table Parts



G1079R Drum & Roller Mechanism Parts



Parts List

REF	PART #	DESCRIPTION
1	P1079001	FRAME
2	PN08	HEX NUT 3/8-16
3	PW02	FLAT WASHER 3/8
4	P1079004	SIDE PANEL
5	P1066005	BUSHING
6	P1066006	SPROCKET
7	P1066007	SPROCKET
8	P1079008	TABLE SCREW 3/4-16
8A	P1066008A	TABLE SCREW SHIM 1/2 X 27 X 1
9	P1079009	CHAIN
10	P1079010	FRONT BRACE
11	PSS07	SET SCREW 1/4-20 X 1/2
12	P1066012	COMPLETE CRANK HANDLE ASSY
13	G1838	DUST PORT
14	P1079014	HOOD
15	P1079015	REAR BRACE
16	P1079016	REAR PANEL
17	PSS07	SET SCREW 1/4-20 X 1/2
18	P1079018	MOTOR PULLEY
19	PK02	KEY 1/4 X 1/4 X 3
20	P1079020	MOTOR, 2 HP
21	PN08	HEX NUT 3/8-16
22	PB21	HEX BOLT 3/8-16 X 3/4
23	PB05	HEX BOLT 1/4-20 X 3/4
24	PW02	FLAT WASHER 3/8
25	PN05	HEX NUT 1/4-20
26	P1066115	SPRING PLATE
27	P1079027	ADJUST PLATE
28	PN14	HEX NUT 8-32
29	PHTEK1	TAP SCREW #6 X 1/2
30	PS24	PHLP HD SCR 8-32 x 3/8
31	P1079031	POWER CORD
32	P1079032	FRONT PANEL
33	G4573	SWITCH
34	PN02	HEX NUT 5/16-18
35	PN03	HEX NUT 3/4-16
36	P1079036	TABLE FRAME
37	PW07	FLAT WASHER 5/16
38	PLN02	LOCK NUT 1/4-20
39	P1066039	FEED MOTOR 1/4 HP
40	PW07	FLAT WASHER 5/16
41	PN02	HEX NUT 5/16-18
42	PK34M	KEY 5 X 5 X 20
43	P1079043	CHAIN
44	P1066044	SPROCKET
45	PSS07	SET SCREW 1/4-20 X 1/2
46	P1066046	MOTOR BRACKET
47	PSB05	CAP SCREW 1/4-20 X 3/4

REF	PART #	DESCRIPTION
48	PW07	FLAT WASHER 5/16
49	PB03	HEX BOLT 5/16-18 X 1
50	P1066050	LEFT ROLLER END GUARD
51	P1066051	ROLLER BRACKET
53	PFH11	FLAT HD SCR 1/4-20 X 2-3/8
54	P1073099	STRIKE
55	P1073098	LATCH
58	PSB05	CAP SCREW 1/4-20 X 3/4
59	P1066059	RIGHT GUARD
60	P1066060	SPECIAL BOLT 1/2-13 X 70
61	P1066061	BUSHING SUPPORT
62	P1066062	BUSHING
63	P1079063	IDLER ROLLER
64	P1066064	PLATE
65	P1079065	DRIVE ROLLER
66	P1079066	TABLE
67	PSS07	SET SCREW 1/4-20 X 1/2
68	P1066068	SPROCKET
69	P1079R069	RUBBER CONVEYOR BELT
70	P1079070	PRESSURE ROLLER
71	P1079071	SAND DRUM
73	PR08M	EXT RETAINING RING 19MM
74	P1066062	BUSHING
76	P1066076	CLIP
77	P1066077	TENSION WHEEL
78	PFH17	FLAT HD ALLEN SCR 1/4-20 X 1/2
79	P1079079	BEARING 204/20MM UCP 204
81	P1079081	BEARING BLOCK
82	PSS10	SET SCREW 1/4-20 X 5/8
83	PZERK2	GREASE FITTING M6-1 x 5
85	PW02	FLAT WASHER 3/8
86	PLN01	LOCK NUT 3/8-16
87	P1066087	TENSION SPRING
88	P1066088	COMPRESSION SPRING
89	PB05M	HEX BOLT M6-1 X 8
90	P1079090	BRACKET
97	PSS03M	SET SCREW M6-1 X 8
98	PVB60	V-BELT B-60 5L600
99	P1066099	FELT 19" X 24"
116	P1079116	DUST SCOOP-DEFLECTOR
200	P1079R200	G1079R ID/WARNING LABEL
203	PLABEL-11	SAFETY GLASSES 2" X 3 5/16"
204	PLABEL-12	READ MANUAL 2" X 3 5/16"
205	PLABEL-13	UNPLUG SANDER-1 2X3 5/16
206	PLABEL-14	ELECTRICITY LABEL
208	PLABEL-17	FEED ONLY ONE
209	G8588	SMALL GRIZZLY LOGO

