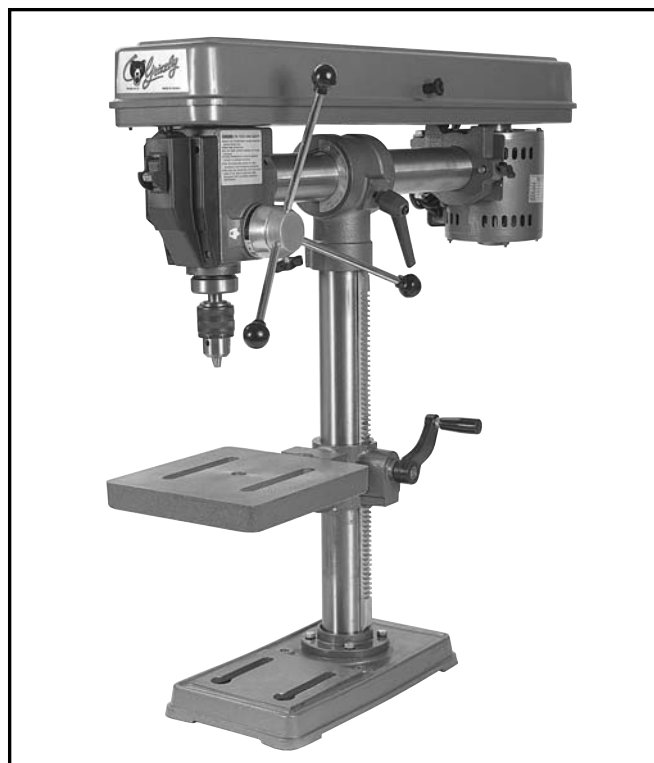


# *Grizzly* **Industrial**®

## **RADIAL DRILL PRESS MODEL G1131 PARTS LIST**



1995 BY GRIZZLY IMPORTS, INC.

**WARNING: NO PORTION OF THIS MANUAL MAY BE REPRODUCED IN ANY SHAPE  
OR FORM WITHOUT THE WRITTEN APPROVAL OF GRIZZLY IMPORTS, INC.**

OCTOBER, 1995. PRINTED IN USA

#### **DISCONTINUED MACHINE PARTS LIST DISCLAIMER**

THESE PARTS REPRESENT THE LAST CONFIGURATION OF THE MACHINE BEFORE IT WAS DISCONTINUED. MACHINE CONFIGURATIONS MAY HAVE CHANGED AS PRODUCT IMPROVEMENTS WERE INCORPORATED. IF YOU OWN AN EARLIER VERSION OF THE MACHINE, THIS PARTS LIST MAY NOT EXACTLY DEPICT YOUR MACHINE. CONTACT CUSTOMER SERVICE IF YOU HAVE ANY QUESTIONS ABOUT PART DIFFERENCES. PREVIOUS PARTS LIST VERSIONS ARE NOT AVAILABLE ONLINE.

# SECTION 5 — PARTS LIST & DIAGRAM

Diag#	Part #	Description
1	PG1131001	BASE
2	PG1131002	FLANGE
3	PB07	HEX BOLT $\frac{5}{16}$ -18X $\frac{3}{4}$
4	PG1131004	RACK
5	PG1131005	VERT. COLUMN
6	PG1131006	CRANK
7	PG1131007	TABLE BRACKET
8	PW01	FLAT WASHER $\frac{1}{2}$ "
9	PB53	HEX BOLT $\frac{1}{2}$ -12X1
10	PG1131010	TABLE
11	PG1131011	CLAMP BOLT
12	PG1131012	LCK HNDLE ASSY
13	PG1131013	COLUMN BRACKET
14	PSS02	STSCRW $\frac{5}{16}$ -18X $\frac{3}{8}$
15	PG1131015	LOCK KNOB
16	PG1131016	MOUNT PLATE
17	PG1131017	SPRING
18	PG1131018	ADJ. BOLT
19	PG1131019	MOTOR
20	PG1131020	PULLEY COVER
21	PG1131021	MOTOR PULLEY
22	PG1131131	V-BELT
23	PG1131023	KNOB
24	PS04	PH. SCRW $\frac{1}{4}$ -20X $\frac{1}{2}$
25	PG1131025	SPINDLE PULLEY
26	PG1131026	DRIVE SLEEVE
27	PG1131027	40MM RET. RING
28	PB203	6203-2RS BEARING
29	PG1131029	KNOB
30	PLW01	$\frac{5}{16}$ " LOCK WSHR
31	PLN08	$\frac{1}{2}$ -20 LOCK NUT
32	PG1131032	COVER W/SPRING
33	PG1131033	HORIZ. COLUMN
34	PG1131034	HEADSTOCK
35	PSW07	SWITCH
36	PSS02	STSCRW $\frac{5}{16}$ -18X $\frac{3}{8}$
37	PS22	PH. SCRW 10-24X $\frac{5}{8}$
38	PG1131038	SW. MOUNT CVR

Diag#	Part #	Description
39	PG1131039	RUBBER WASHER
40	PG1131040	QUILL
41	PB202	6202-2RS BEARING
42	PG1131042	SPINDLE
43	PG1131043	CHUCK KEY
44	PG1131044	$\frac{1}{2}$ " CHUCK
45	PG1131045	SCALE SLEEVE
46	PG1131046	PINION
47	PG1131047	HUB
48	PG1131048	HANDLE
49	PG1131049	DEGREE SCALE
50	PG1131050	12MM RET. RING
51	PB201	6201-2RS BEARING
52	PG1131052	POWER CORD
53	PSS03	STSCRW $\frac{1}{4}$ -20X $\frac{3}{8}$
54	PS07	PH. SCRW $\frac{1}{4}$ -20X $\frac{3}{8}$
55	PG1131055	DOWN FD SCALE
56	PG1183108	RIVET
57	PG1131057	POINTER
58	PG1131058	LOCK KNOB
59	PG1131059	SPEC SETSCRW
60	PN02	HEX NUT $\frac{5}{16}$ -18
61	PG1131061	HANDLE
62	PG1131062	LABEL
63	PG1131063	WIRE STRAP
64	PS06	PH. SCRW 10-24X $\frac{3}{8}$
65	PG1131065	MTR/SWITCH CORD
66	PG1131066	SPEED CHART
67	PG1131067	SPEC. BOLT
68	PW07	FLAT WASHER $\frac{5}{16}$ "
69	PG1131069	TABLE SCALE
70	PG1131070	PIN
71	PG1131071	WORM SHAFT
72	PG1131072	HANDLE
73	PSS01M	STSCRW M6-1.0X10
74	PG1131074	10T GEAR
75	PG1131075	SAFETY LABEL
76	PG1131076	LOCKING GIB

# G1131 RADIAL DRILL PRESS

