



IMPORTS, INC.

DRILL PRESS

MODEL G1199/G1200

PARTS LIST



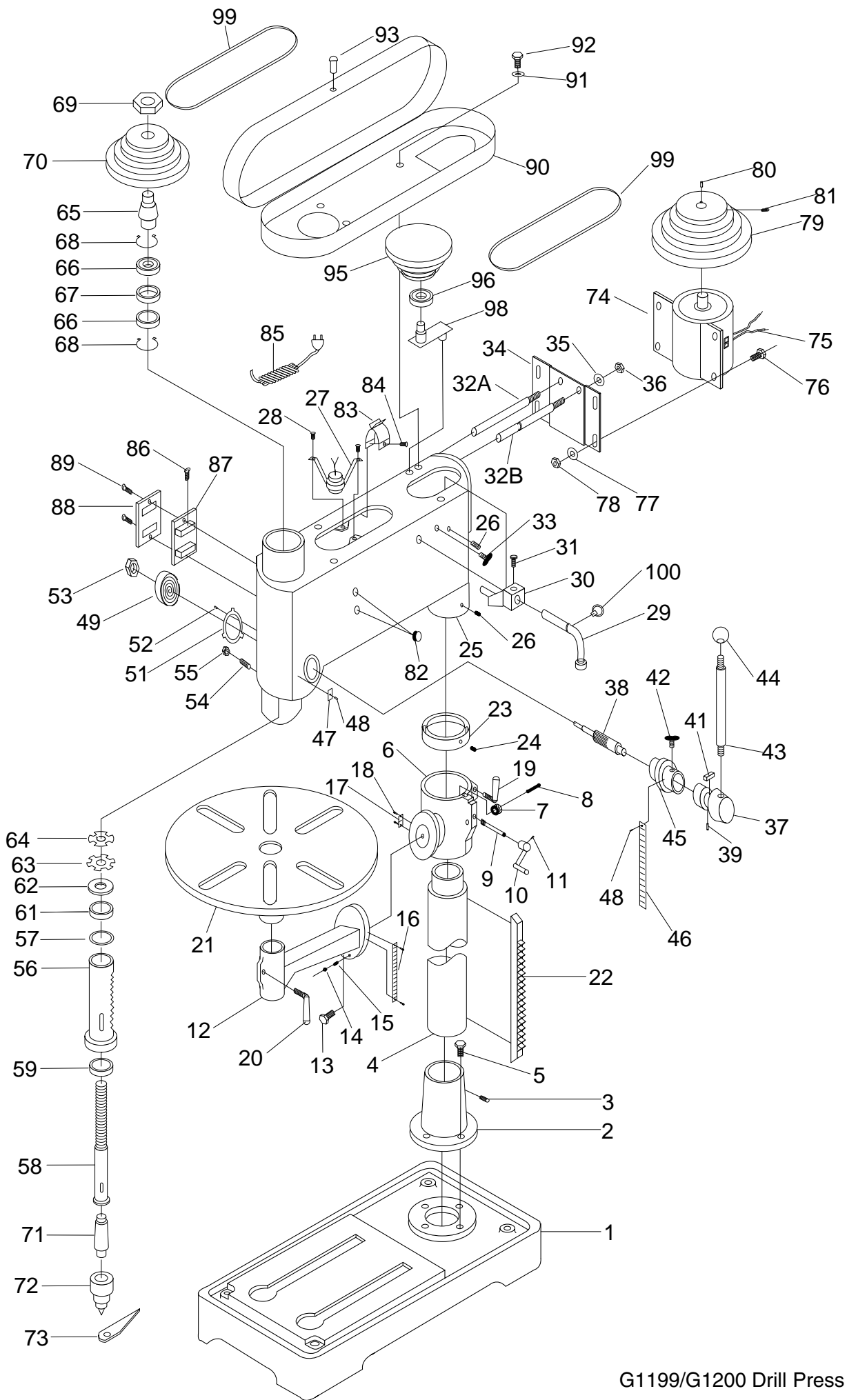
COPYRIGHT © 1990 BY GRIZZLY IMPORTS, INC. REG. #3176563

WARNING: NO PORTION OF THIS MANUAL MAY BE REPRODUCED IN ANY SHAPE OR FORM WITHOUT THE WRITTEN APPROVAL OF GRIZZLY IMPORTS, INC.

REVISED JUNE, 1996 PRINTED IN USA

DISCONTINUED MACHINE PARTS LIST DISCLAIMER

THESE PARTS REPRESENT THE LAST CONFIGURATION OF THE MACHINE BEFORE IT WAS DISCONTINUED. MACHINE CONFIGURATIONS MAY HAVE CHANGED AS PRODUCT IMPROVEMENTS WERE INCORPORATED. IF YOU OWN AN EARLIER VERSION OF THE MACHINE, THIS PARTS LIST MAY NOT EXACTLY DEPICT YOUR MACHINE. CONTACT CUSTOMER SERVICE IF YOU HAVE ANY QUESTIONS ABOUT PART DIFFERENCES. PREVIOUS PARTS LIST VERSIONS ARE NOT AVAILABLE ONLINE.



REF	PART #	DESCRIPTION	REF	PART #	DESCRIPTION
1	P1199001	BASE	55	PN02M	HEX NUT M10-1.5
2	P1199002	COLUMN HOLDER	56	P1199056	QUILL
4	P1199004	COLUMN	57	P1199057	RUBBER WASHER
5	PB31M	HEX BOLT M10-1.5 X 40	58	P1199058	SPINDLE SHAFT
6	P1199006	BRACKET	59	P6205	BEARING 6205-2RS
7	P1199007	PINION GEAR	60	P1199060	NAME PLATE
8	P1199008	GEAR SHAFT	61	P6203	BEARING 6203-2RS
9	P1199009	WORM PINION	62	P1199062	SPECIAL WASHER
10	P1199010	CRANK HANDLE	63	P1199063	SPECIAL LOCK NUT
11	PSS01M	SETSCREW M6-1.0 X 10	64	P1199064	SPECIAL NUT
12	P1199012	TABLE BRACKET	65	P1199065	DRIVE SLEEVE
13	P1199013	SPECIAL HEX BOLT	66	P6205	BEARING 6205-2RS
14	P1199014	LOCATOR PIN	67	P1199067	COLLAR
15	PN05	HEX NUT 1/4"-20	68	P1199068	SPECIAL SNAP RING
16	P1199016	ANGLE SCALE	69	PN10M	HEX NUT M25-1.5 L.H.
17	P1199017	CENTERING SCALE	70	P1199070	SPINDLE PULLEY
18	P1183108	RIVET	71	G1676	ARBOR
19	P1199019	COLUMN LOCK HANDLE	72	G1650	CHUCK, 5/8"
20	P1199020	TABLE LOCK HANDLE	72A	P1199072A	5/8" CHUCK KEY
21	P1199021	TABLE	73	P1199073	WEDGE SHIFTER
22	P4008022	RACK	74	P1199074	MOTOR
23	P4008023	RACK RING	75	P1199075	MOTOR CORD
24	PSS03M	SET SCREW M6-1.0 X 8	76	PB09M	HEX BOLT M8-1.25 X 20
25	P1199025	HEAD CASTING	77	PW01M	FLAT WASHER 8MM
26	PSS13M	SET SCREW M10-1.5 X 12	78	PN03M	HEX NUT M8-1.25
27	P1199027	LAMP SOCKET	79	P1199079	MOTOR PULLEY
28	PB02M	HEX BOLT M6-1.0 X 12	80	PK24M	KEY 5 X 5 X 37
29	P1199029	CAM HANDLE	81	PSS01M	SET SCREW M6-1.0 X 10
30	P1199030	CAM	82	P1199082	WIRE INSULATOR
31	PB03M	HEX BOLT M8-1.25 X 16	83	P1199083	WIRE CLIP
32A	P1199032A	SLIDE BAR	84	P1199084	CLIP SCREW
32B	P1199032B	CAM SLIDE BAR	85	P1199085	CORD
33	P1199033	LOCK KNOB	86	P1199086	CLIP TERMINAL
34	P1199034	MOTOR BASE	87	P1199087	SWITCH
35	PLW05M	LOCK WASHER 12MM	88	P1199088	SWITCH COVER
36	PN09M	HEX NUT M12-1.75	89	PS08M	SCREW M5-0.8 X 12
37	P1199037	HANDLE BODY	90	P1199090	PULLEY COVER
38	P1199038	FEED SHAFT	91	PW03M	FLAT WASHER
39	PRP24M	ROLL PIN 5 X 16	92	PS11M	SCREW M6-1.0 X 16
41	P1199041	SCALE GUIDE	93	P1199093	COVER KNOB
42	P1199042	SCALE SET HANDLE	95	P1199095	CENTER PULLEY
43	P1199043	HANDLE BAR	96	P6202	BEARING 6205-2RS
44	P1199044	KNOB	98	P1199098	CENTER PULLEY SHAFT
45	P1199045	SPINDLE DEPTH	99	PVM25	V-BELT M-25
46	P1199046	SCALE	100	P1199100	SNAP RING
47	P1199047	CENTERING SCALE		--G1200 UNIQUE PARTS--	
48	P1183108	RIVET	01	P1200001	BASE
49	P1199049	SPRING & HOUSING	03	PSS13M	SET SCREW M10-1.5 X 12
51	P1199051	SPRING SEAT	02	P1200002	COLUMN HOLDER
51A	P1199051A	SPRING SEAT BUSHING	04	P1200004	COLUMN
52	P1199052	SPECIAL SET SCREW	22	P1200022	RACK
53	PN01	HEX NUT 1/2"-20			
54	P1199054	SPECIAL SET SCREW			