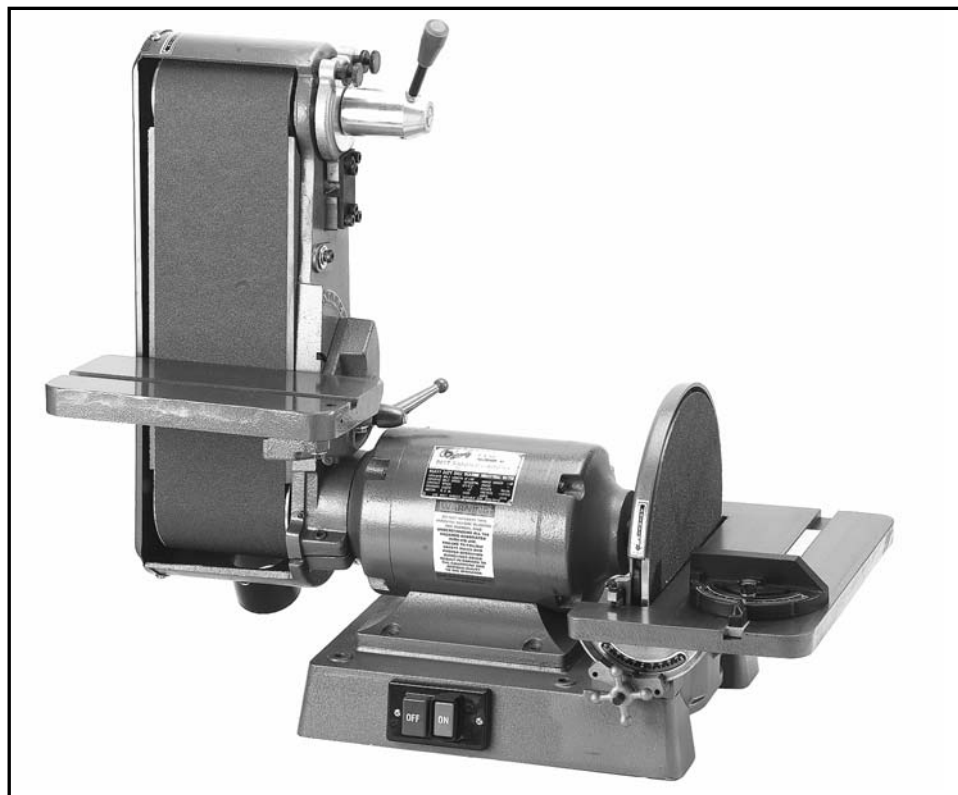


COMBINATION SANDER

MODEL G1183/G1276

PARTS LIST

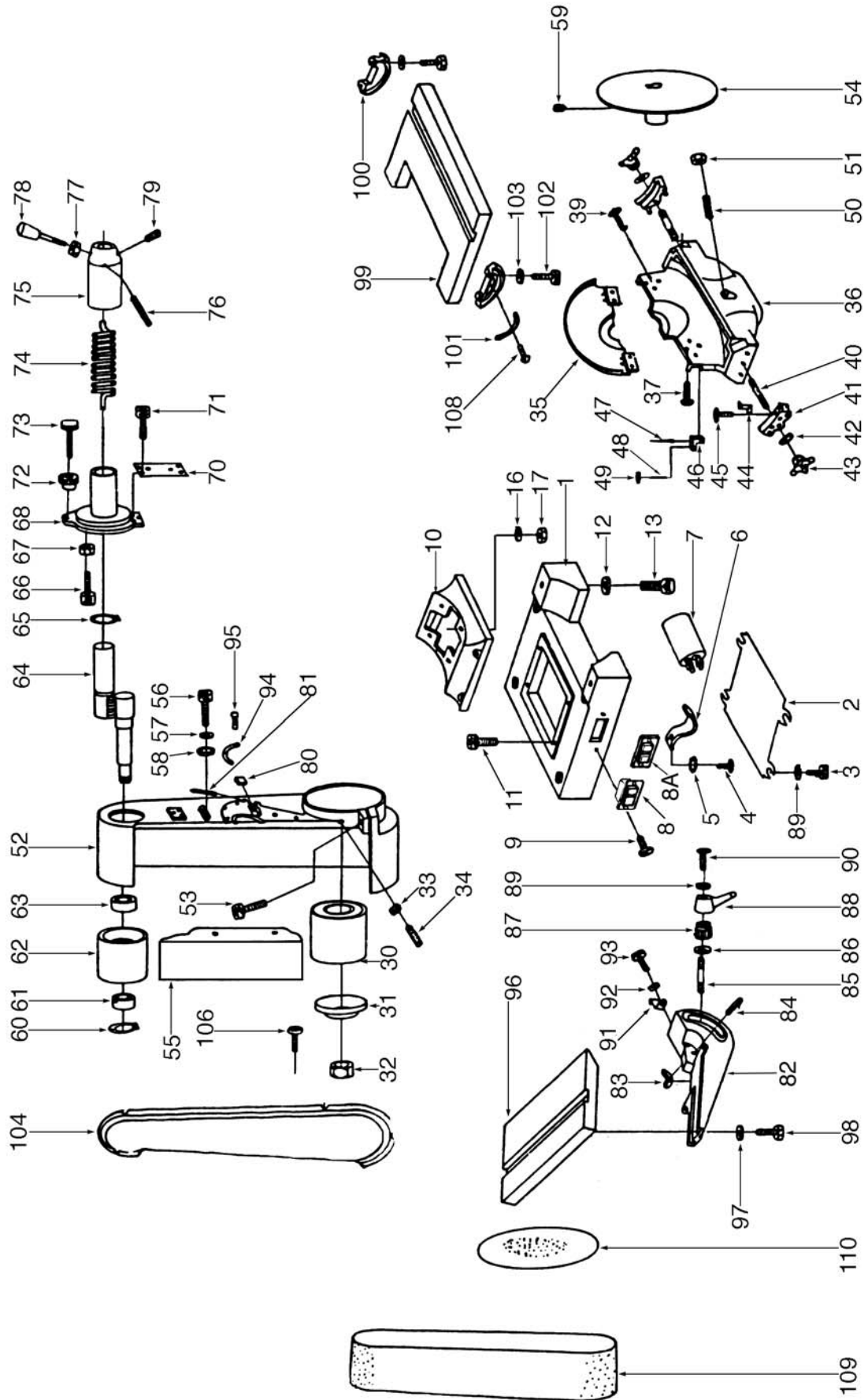


COPYRIGHT © 1989 BY GRIZZLY IMPORTS, INC.
**WARNING: NO PORTION OF THIS MANUAL MAY BE REPRODUCED IN ANY SHAPE
OR FORM WITHOUT THE WRITTEN APPROVAL OF GRIZZLY IMPORTS, INC.**
REVISED APRIL, 1999. PRINTED IN U.S.A.

PARTS LIST DISCLAIMER

THIS PARTS LIST AND DRAWINGS REPRESENT THE CONFIGURATION OF THE MACHINE AS IT IS CURRENTLY BEING SHIPPED. THE MACHINE CONFIGURATION CAN CHANGE AS PRODUCT IMPROVEMENTS ARE INCORPORATED. IF YOU OWN AN EARLIER VERSION OF THE MACHINE, THIS PARTS LIST MAY NOT DEPICT YOUR MACHINE EXACTLY. CONTACT CUSTOMER SERVICE IF YOU HAVE ANY QUESTIONS ABOUT PART DIFFERENCES. PREVIOUS PARTS LIST VERSIONS ARE NOT AVAILABLE ONLINE.

MAIN UNIT PARTS DIAGRAM



PARTS LIST

REF# PART# DESCRIPTION

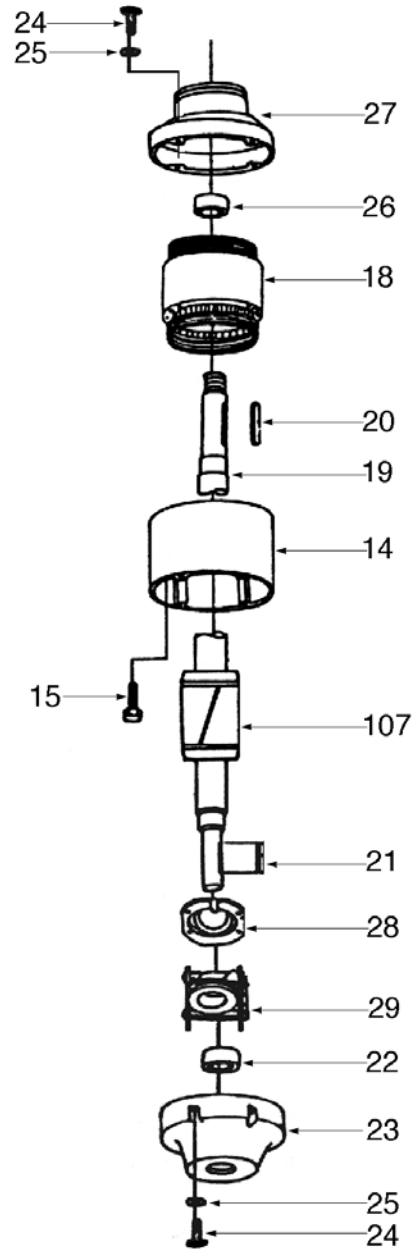
001	P1183001	STAND
002	P1183002	BASE PLATE
003	PB17M	HEX BOLT M8-1.25 X 16mm
004	P1183004	COVER SCREW
005	PW03	FLAT WASHER #10
006	P1183006	COVER LOCK
007	PC400B	CAPACITOR-BIG OD
008	P1019090A	SWITCH
008A	P1019090B	PLASTIC SWITCH COVER
009	P1183009	SWITCH SCREW
010	P1183010	MOTOR BASE
011	PSB11M	CAP SCREW M8-1.25 x 16mm
012	PLW05	LOCK WASHER 7/16"
013	PSB13	CAP SCREW 7/16"-14 x 1 1/4"
014	P1183014	STATOR HOUSING
015	PB07	HEX BOLT 5/16"-18 x 3/4"
016	PLW01	LOCK WASHER 5/16"
017	PN02	HEX NUT 5/16"-18
018	P1183018	STATOR
019	P1183019	SHAFT
020	PK13M	KEY 5 x 5 x 70 mm
021	PK12M	KEY 5 x 5 x 30 mm
022	P6206	BALL BEARING 6206
023	P1183023	RIGHT CASTING COVER
024	PS19	PHLP HD SCR 1/4"-20 x 1"
025	PLW02	LOCK WASHER 1/4"
026	P6206	BALL BEARING 6206
027	P1183027	LEFT CASTING COVER
028	PCP004	CONTACT PLT, LG, INT PT
029	P1183029	CENTRIFUGAL SWITCH
030	P1183030	LOWER WHEEL
031	P1183031	FLANGE
032	P1183032	1"-8 LH HEX NUT
033	PN01M	HEX NUT M6-1.0 mm

REF# PART# DESCRIPTION

034	PSS12M	SET SCREW M6-1.0 x 25mm
035	P1183035	DISC GUARD
036	P1183036	BASE
037	PS06	PHLP HD SCR 10-24 x 3/8"
039	PS06	PHLP HD SCR 10-24 x 3/8"
040	P1183040	STUD
041	P1183041	SLIDING RAIL
042	PW04	FLAT WASHER 7/16"
043	P1183043	STAR KNOB
044	P1183044	POINTER
045	P1183045	SPECIAL SCREW
046	P1183046	BLOCK
047	PRP32M	ROLL PIN 6 x 40mm
048	PSS12M	SETSCREW M6-1.0 x 25mm
049	PN01M	HEX NUT M6-1.0
050	PSS18	SETSCREW 5/16"-18 x 3/4"
051	PN02	HEX NUT 5/16"-18
052	P1183052	BELT HOUSING CASTING
053	PSB12M	CAP SCREW M8-1.25 x 40mm
054	P1183054	ALUMINUM DISC
055	P1183055	PLATEN
056	PSB13M	CAP SCREW M8-1.25 x 30mm
057	PW07	FLAT WASHER 5/16"
058	PW04	FLAT WASHER 7/16"
059	PSS01M	SET SCREW M6-1.0 x 10mm
060	PR05M	EXT RETAINING RING 15mm
061	P6202	BALL BEARING 6202
062	P1183062	UPPER WHEEL
063	P6203	BALL BEARING 6203
064	P1183064	SHAFT
065	PR10M	EXT RETAINING RING 22mm
066	PSB01M	CAP SCREW M6-1.0 x 16
067	PN01M	HEX NUT M6-1.0

MOTOR UNIT PARTS DIAGRAM

REF#	PART#	DESCRIPTION
068	P1183068	COVER
070	P1183070	PLATE
071	PSB14M	CAP SCREW M8-1.25 x 20
072	P1183072	KNURLED CHECK NUT
073	P1183073	KNURLED BOLT
074	P1183074	SPRING
075	P1183075	LEVER HOLDER
076	PRP33M	ROLL PIN 6 x 50mm
077	PN08	HEX NUT 3/8"-16
078	P1183078	IDLER PULLEY LEVER
079	PSS01M	SETSCREW M6-1.0 x 10mm
080	P1183080	BLOCK
081	PRP33M	ROLL PIN 6 x 50
082	P1183082	TRUNNION
083	P1183083	SLIDE
084	PRP19M	ROLL PIN 4 x 14mm
085	P1183085	STUD
086	PW04	FLAT WASHER 7/16"
087	P1183087	TOOTHED NUT
088	P1024039	LOCK HANDLE
089	PLW02	LOCK WASHER 1/4"
090	PB02	HEX BOLT 1/4"-20 x 5/8"
091	P1183044	POINTER
092	PW03	FLAT WASHER #10
093	PS18	PHLP HD SCR 10-24 1/4"
094	P1183094	DEGREE SCALE
095	P1183108	RIVET
096	P1183096	BELT SANDER TABLE
097	PW07	FLAT WASHER 5/16"
098	PB07	HEX BOLT 5/16"-18 x 3/4"
099	P1183099	DISC SANDER TABLE
100	P1183100	DEGREE SLIDE
101	P1183101	DEGREE SCALE
102	PB07	HEX BOLT 5/16"-18 x 3/4"



103	PW07	FLAT WASHER 5/16"
104	P1183104	BELT GUARD
106	P1183106	SPECIAL SCREW
107	P1183019	SHAFT
108	P1183108	RIVET
109	G1215	SANDING BELT 6" x 48" 100GT
110	G1221	SANDING DISC 12" 100 GT
112	P1183112	MOTOR FAN
113	P1183113	COMPLETE MOTOR 3450 RPM
113	P1276113	COMPLETE MOTOR 1720 RPM