

**INDUSTRIAL, INC.**

**BELT/DISC SANDER  
MODEL G3105  
PARTS LIST**



COPYRIGHT © 1991 BY GRIZZLY INDUSTRIAL, INC.

**WARNING: NO PORTION OF THIS MANUAL MAY BE REPRODUCED IN ANY SHAPE  
OR FORM WITHOUT THE WRITTEN APPROVAL OF GRIZZLY INDUSTRIAL, INC.**

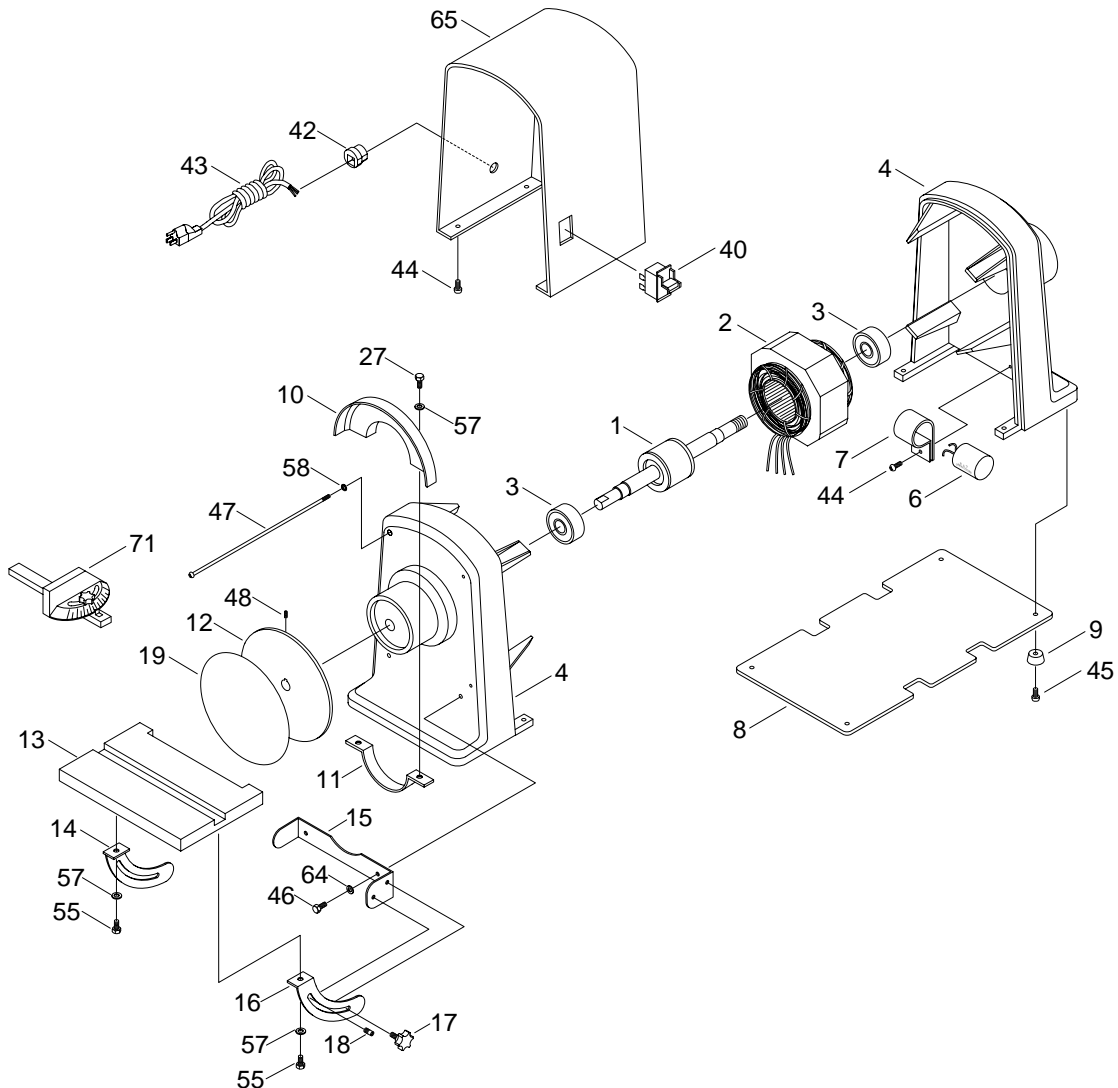
REVISED APRIL, 1999. PRINTED IN U.S.A.

**PARTS LIST DISCLAIMER**

THIS PARTS LIST AND DRAWINGS REPRESENT THE CONFIGURATION OF THE MACHINE AS IT IS CURRENTLY BEING SHIPPED. THE MACHINE CONFIGURATION CAN CHANGE AS PRODUCT IMPROVEMENTS ARE INCORPORATED. IF YOU OWN AN EARLIER VERSION OF THE MACHINE, THIS PARTS LIST MAY NOT DEPICT YOUR MACHINE EXACTLY. CONTACT CUSTOMER SERVICE IF YOU HAVE ANY QUESTIONS ABOUT PART DIFFERENCES. PREVIOUS PARTS LIST VERSIONS ARE NOT AVAILABLE ONLINE.

# DIAGRAMS & PARTS LISTS

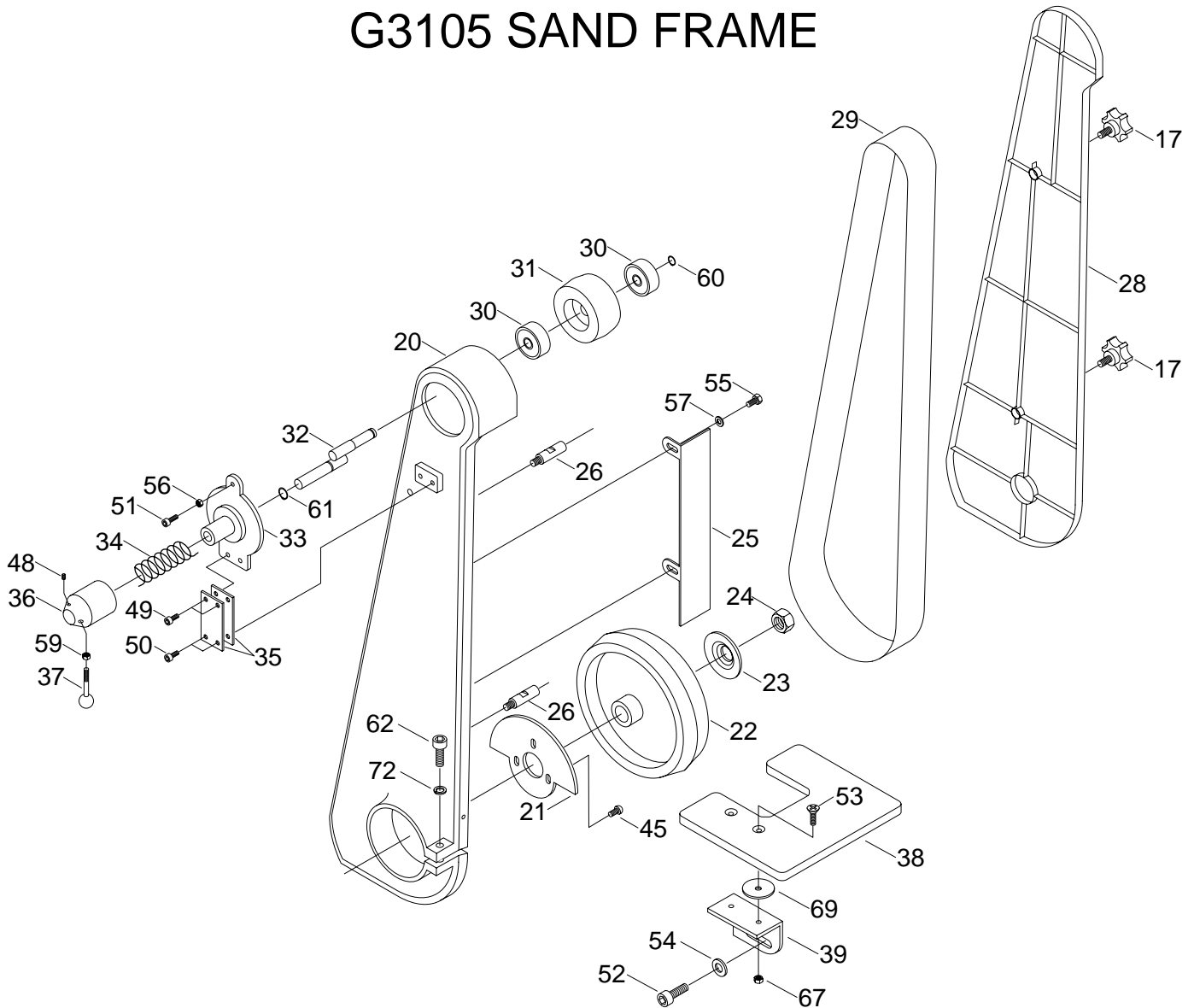
## G3105 MOTOR



REF	PART	DESCRIPTION
1	P3105001	ROTOR
2	P3105002	STATOR
3	P6202	BALL BEARING 6202
4	P3105004	MOTOR END BELL
6	P3105006	CAPACITOR
7	P3105007	CAPACITOR CLIP
8	P3105008	BOTTOM COVER
9	P3105009	RUBBER FOOT
10	P3105010	DISC GUARD
11	P3105011	DISC GUARD BRACKET
12	P3105012	SANDING PLATE
13	P3105013	DISC TABLE
14	P3105014	LEFT TRUNNION
15	P3105015	TABLE SUPPORT BRACKET
16	P3105016	RIGHT TRUNNION
17	P3105017	KNOB
18	P3105018	GUIDE PIN

REF	PART	DESCRIPTION
19	G1445	6" 60-GRIT DISC (3) PACK
20	P3105020	BELT HOUSING
21	P3105021	STOP BRACKET
22	P3105022	DRIVE WHEEL
23	P3105023	WHEEL FLANGE
24	PN06	HEX NUT 1/2" - 12
25	P3105025	BELT PLATEN
26	P3105026	GUARD SUPPORT
27	PB02	HEX BOLT 1/4" - 20 x 5/8"
28	P3105028	BELT GUARD
29	G1209	1"X42" 100-GRIT (2) PACK
30	P6200	BALL BEARING 6200
31	P3105031	TRACKING WHEEL
32	P3105032	TRACKING SHAFT
33	P3105033	TRACKING BRACKET
34	P3105034	TENSION SPRING

# G3105 SAND FRAME



REF	PART	DESCRIPTION
35	P3105035	SPRING PLATE
36	P3105036	SPRING CAP
37	P3105037	HANDLE W/KNOB
38	P3105038	BELT TABLE
39	P3105039	BELT TABLE BRACKET
40	P3105040	SWITCH
41	PS01	PHLP HD SCREW 10 - 24 x 1/2"
42	P3105042	STRAIN RELIEF
43	P3105043	POWER CORD
44	PS06	PHLP HD SCREW 10 - 24 x 3/8"
45	PS01	PHLP HD SCREW 10 - 24 x 1/2"
46	PB09	HEX BOLT 5/16" - 18 x 1/2"
47	P3105047	HOUSING SCREW
48	PSS04	SETSCREW 1/4" - 20 x 5/16"
49	PSB02	CAP SCREW 10 - 24 x 3/8"
50	PSB31	CAP SCREW 10 - 24 x 5/8"
51	PSB33	CAP SCREW 10 - 24 x 3/4"
52	PSB16	CAP SCREW 3/8" - 16 x 3/4"

REF	PART	DESCRIPTION
53	PFH06	FLAT HD SCREW 5/16" - 18 x 7/8"
54	PW02	FLAT WASHER 3/8"
55	PB19	HEX BOLT 1/4" - 20 X 1/2"
56	PN07	HEX NUT 10 - 24
57	PW06	FLAT WASHER 1/4"
58	PLW03	LOCK WASHER 3/16"
59	PN05	HEX NUT 1/4" - 20
60	PR01M	EXT RET RING 10mm
61	PR05M	EXT RET RING 15mm
62	PSB19	CAP SCREW 3/8" - 16 x 1 1/4"
64	PW07	FLAT WASHER 5/16"
65	P3105065	MOTOR SHROUD
67	PN02	HEX NUT 5/16" - 18
69	P3105069	SPACER
71	P3105071	MITER GAUGE
72	PLW04	LOCK WASHER 3/8"