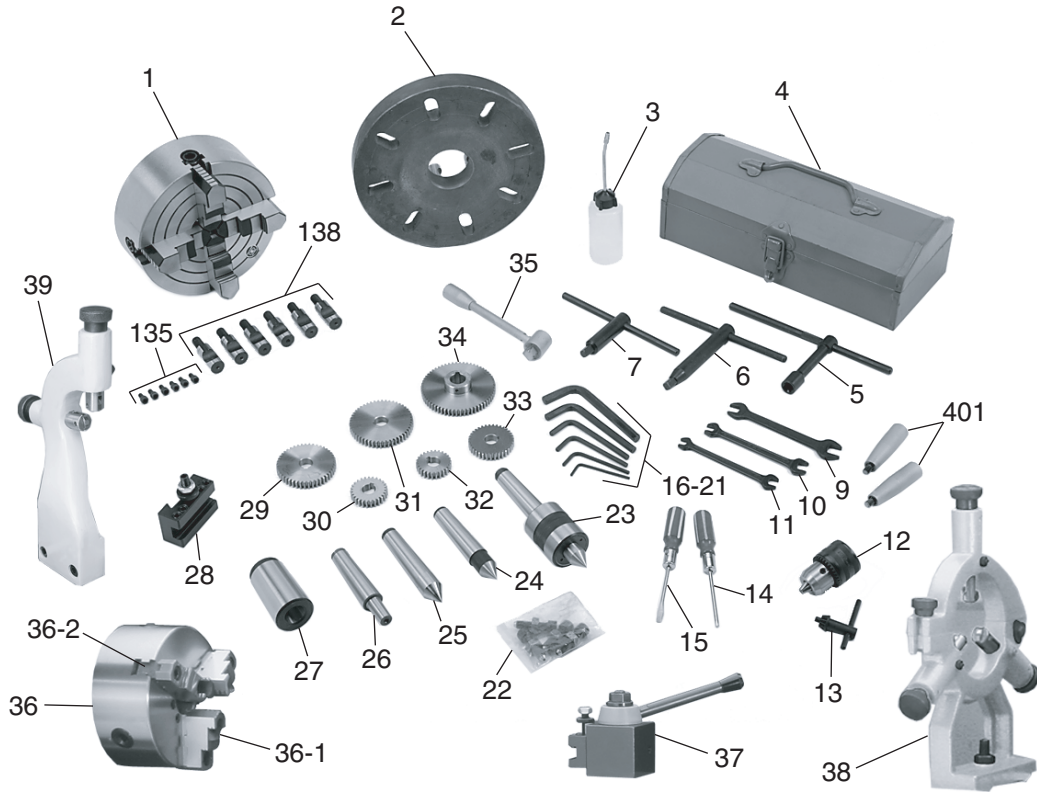


SECTION 9: PARTS

Components

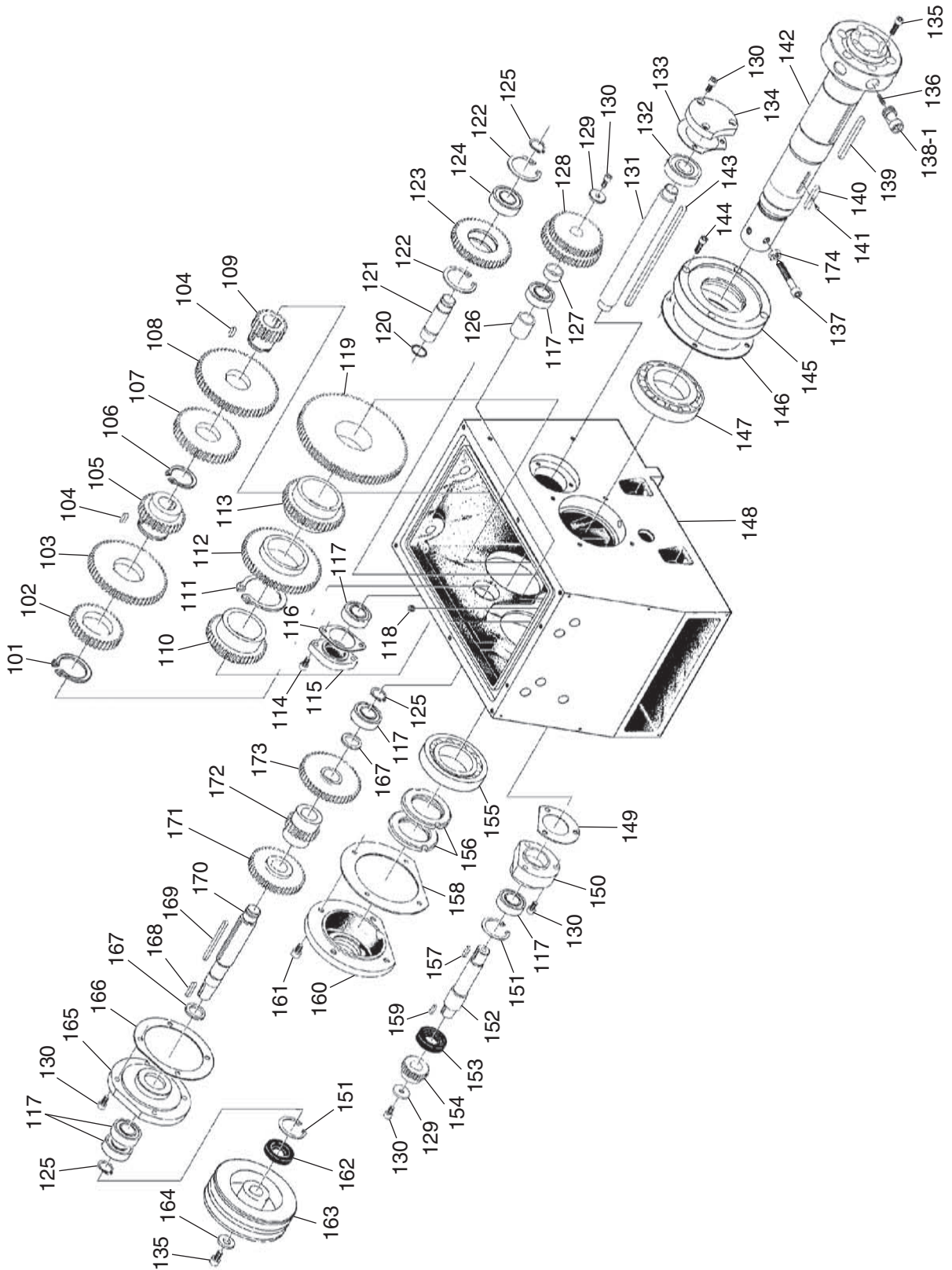


REF	PART #	DESCRIPTION
1	P4003G0001	4-JAW UNIVERSAL CHUCK 8"
2	P4003G0002	FACEPLATE 10"
3	P4003G0003	OIL BOTTLE
4	P4003G0004	TOOL BOX
5	P4003G0005	SQUARE SOCKET T-WRENCH
6	P4003G0006	4-JAW CHUCK WRENCH
7	P4003G0007	3-JAW CHUCK WRENCH
9	PWR1214	COMBO WRENCH 12/14MM
10	PWR1012	COMBO WRENCH 10/12MM
11	P4003G0011	COMBO WRENCH 9/11MM
12	P4003G0012	DRILL CHUCK B16 1.5-13MM
13	P4003G0013	DRILL CHUCK KEY
14	P4003G0014	PHILLIPS HD SCREWDRIVER #2
15	P4003G0015	STANDARD SCREWDRIVER
16	PAW10M	HEX WRENCH 10MM
17	PAW08M	HEX WRENCH 8MM
18	PAW06M	HEX WRENCH 6MM
19	PAW05M	HEX WRENCH 5MM
20	PAW04M	HEX WRENCH 4MM
21	PAW02M	HEX WRENCH 2MM
22	P4003G0022	SPIDER SCREW
23	P4003G0023	LIVE CENTER MT#3

REF	PART #	DESCRIPTION
24	P4003G0024	CARBIDE TIP DEAD CENTER MT#3
25	P4003G0025	STANDARD DEAD CENTER MT#3
26	P4003G0026	ARBOR B16-MT#3
27	P4003G0027	DEAD CENTER SPINDLE SLEEVE
28	P4003G0028	QUICK CHANGE TOOL HOLDER
29	P4003G0029	GEAR 45T
30	P4003G0030	GEAR 27T
31	P4003G0031	GEAR 50T
32	P4003G0032	GEAR 26T
33	P4003G0033	GEAR 35T
34	P4003G0034	GEAR 60T
35	P4003G0035	TAILSTOCK WRENCH
36	P4003G0036	3-JAW CHUCK
36-1	P4003G0036-1	3-JAW CHUCK TOP JAW SET
36-2	P4003G0036-2	3-JAW CHUCK BOTTOM JAW SET
37	P4003G0037	QUICK CHANGE TOOL POST
38	P4003G0038	STEADY REST
39	P4003G0039	FOLLOW REST
135	PSB27M	CAP SCREW M6-1 X 14
138	P4003G0138	CAM LOCK STUD
401	P4003G0401	HANDLE



Gearbox Gearing



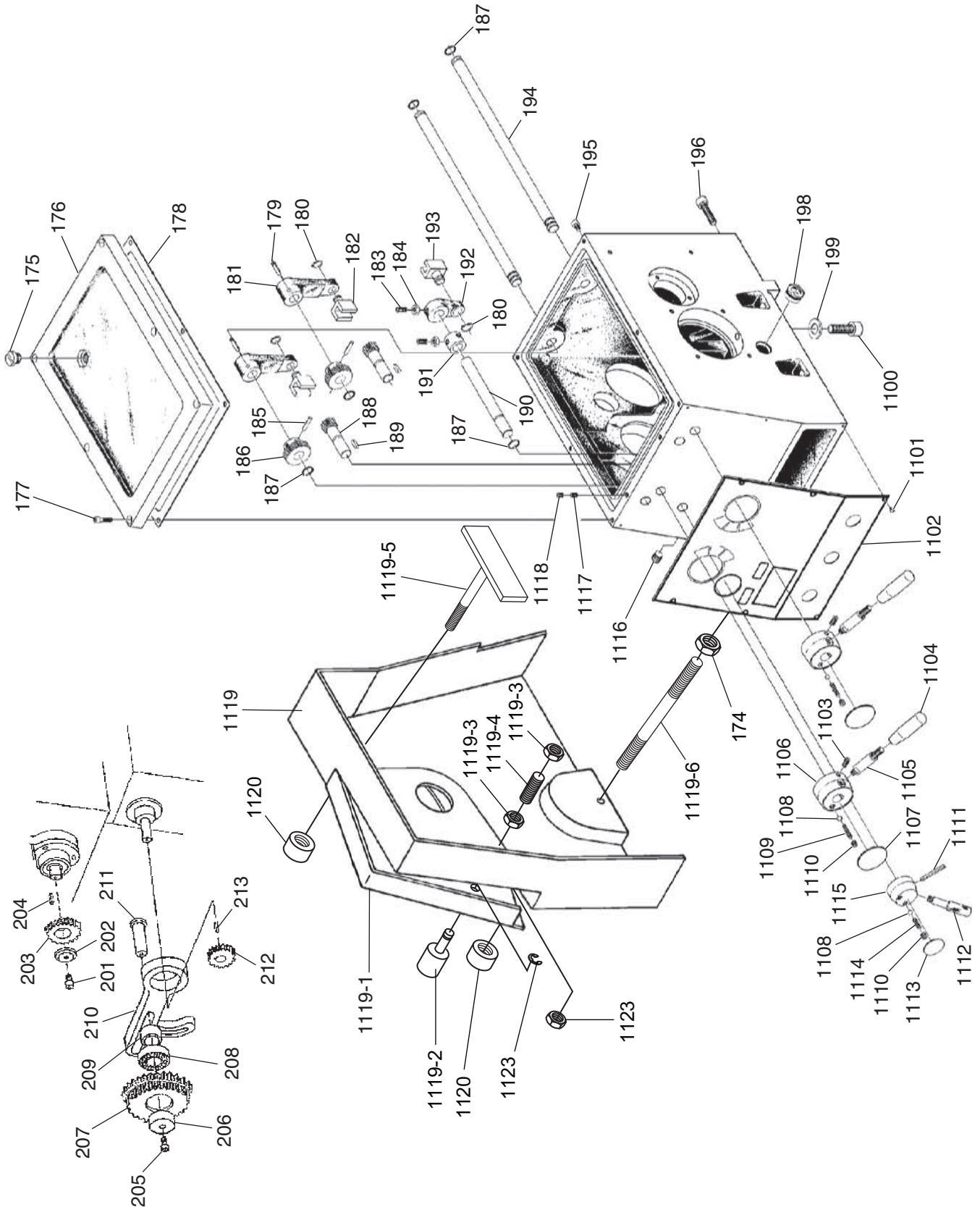
Gearbox Gearing Parts List

REF	PART #	DESCRIPTION
101	PR56M	EXT RETAINING RING 45MM
102	P4003G0102	GEAR 36T
103	P4003G0103	GEAR 55T
104	PK14M	KEY 5 X 5 X 18
105	P4003G0105	GEAR
106	PR30M	EXT RETAINING RING 36MM
107	P4003G0107	GEAR 45T
108	P4003G0108	GEAR 58T
109	P4003G0109	GEAR 21T
110	P4003G0110	GEAR 45T
111	PR82M	EXT RETAINING RING 58MM
112	P4003G0112	GEAR 59T
113	P4003G0113	GEAR 46T
114	PSB27M	CAP SCREW M6-1 X 14
115	P4003G0115	COVER
116	P4003G0116	GASKET
117	P6004	BALL BEARING 6004ZZ
118	PSB35M	CAP SCREW M8-1.25 X 6
119	P4003G0119	GEAR 83T
120	P4003G0120	O-RING 17 X 2.65
121	P4003G0121	SHAFT
122	PR25M	INT RETAINING RING 47MM
123	P4003G0123	GEAR 40/45T
124	P6004	BALL BEARING 6004ZZ
125	PR09M	EXT RETAINING RING 20MM
126	P4003G0126	COLLAR
127	P4003G0127	COLLAR
128	P4003G0128	GEAR 45/40T
129	PW03M	FLAT WASHER 6MM
130	PSB01M	CAP SCREW M6-1 X 16
131	P4003G0131	SHAFT
132	P6004	BALL BEARING 6004ZZ
133	P4003G0133	GASKET
134	P4003G0134	COVER
135	PSB27M	CAP SCREW M6-1 X 14
136	P4003G0136	COMPRESSION SPRING
137	P4003G0137	SPIDER BOLT M10-1.5 X 35

REF	PART #	DESCRIPTION
138-1	P4003G0138-1	CAM LOCK
139	P4003G0139	KEY 8 X 8 X 80
140	PK43M	KEY 8 X 8 X 45
141	PSB80M	CAP SCREW M3-.5 X 8
142	P4003G0142	SPINDLE
143	P4003G0143	KEY 8 X 8 X 210
144	PSB02M	CAP SCREW M6-1 X 20
145	P4003G0145	COVER
146	P4003G0146	GASKET
147	P4003G0147	TAPER ROLLER BEARING D7212
148	P4003G0148	HEADSTOCK
149	P4003G0149	GASKET
150	P4003G0150	COVER
151	PR24M	INT RETAINING RING 42MM
152	P4003G0152	SHAFT
153	P4003G0153	OIL SEAL
154	P4003G0154	GEAR
155	P4003G0155	TAPER ROLLER BEARING E7211
156	P4003G0156	THREADED COLLAR
157	PK94M	KEY 5 X 5 X 8
158	P4003G0158	GASKET
159	PK94M	KEY 5 X 5 X 8
160	P4003G0160	COVER
161	PSB58M	CAP SCREW M8-1.25 X 12
162	P4003G0162	OIL SEAL
163	P4003G0163	PULLEY
164	PW03M	FLAT WASHER 6MM
165	P4003G0165	COVER
166	P4003G0166	GASKET
167	P4003G0167	SPECIAL WASHER
168	PK12M	KEY 5 X 5 X 30
169	PK17M	KEY 5 X 5 X 80
170	P4003G0170	SHAFT
171	P4003G0171	GEAR 42T
172	P4003G0172	GEAR 23T
173	P4003G0173	GEAR 47T
174	PN02M	HEX NUT M10-1.5



Gearbox Shifters



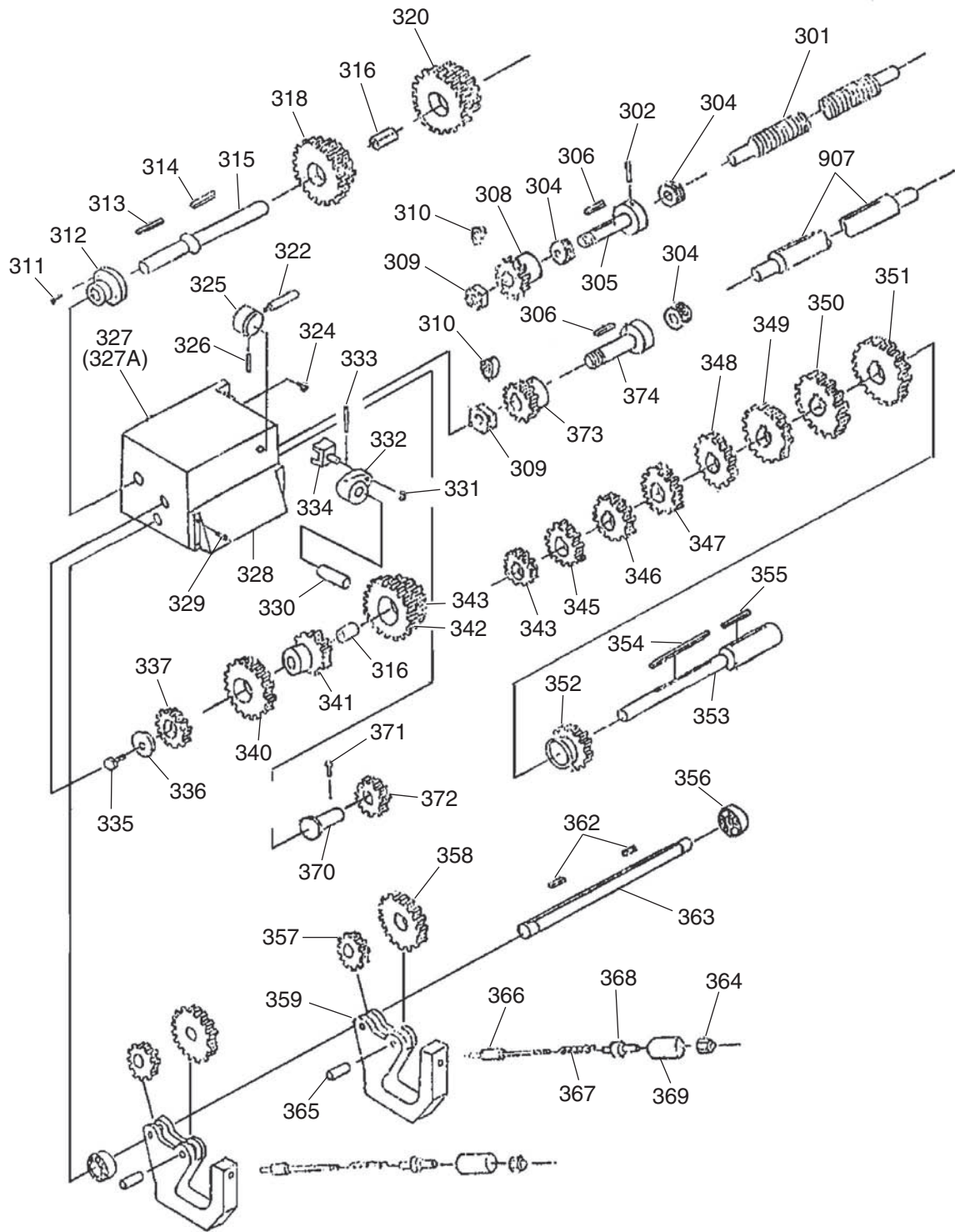
Gearbox Shifters Parts List

REF	PART #	DESCRIPTION
174	PN02M	HEX NUT M10-1.5
175	P4003G0175	OIL PLUG
176	P4003G0176	COVER
177	PSB06M	CAP SCREW M6-1 X 25
178	P4003G0178	GASKET
179	PRP05M	ROLL PIN 5 X 30
180	PR03M	EXT RETAINING RING 12MM
181	P4003G0181	SHIFTING ARM
182	P4003G0182	SHIFTING FORK
183	PSS06M	SET SCREW M8-1.25 X 16
184	PN03M	HEX NUT M8-1.25
185	PRP49M	ROLL PIN 5 X 25
186	P4003G0186	GEAR 38T
187	P4003G0187	O-RING 11.2 X 2.65
188	P4003G0188	PINION SHAFT
189	PK94M	KEY 5 X 5 X 8
190	P4003G0190	SHAFT
191	P4003G0191	COLLAR
192	P4003G0192	SHIFTING ARM
193	P4003G0193	SHIFTING FORK
194	P4003G0194	SHAFT
195	PSB04M	CAP SCREW M6-1 X 10
196	PSB13M	CAP SCREW M8-1.25 X 30
198	P4003G0198	OIL SIGHT GLASS
199	PW06M	FLAT WASHER 12MM
201	PSB26M	CAP SCREW M6-1 X 12
202	P4003G0202	SPECIAL WASHER
203	P4003G0203	GEAR 40T
204	PK12M	KEY 5 X 5 X 30
205	PSB26M	CAP SCREW M6-1 X 12
206	P4003G0206	SPECIAL WASHER
207	P4003G0207	STEP GEAR
208	P6202ZZ	BALL BEARING 6202ZZ
209	P4003G0209	BUSHING
210	P4003G0210	SHIFTING ARM

REF	PART #	DESCRIPTION
211	P4003G0211	SHAFT
212	P4003G0212	GEAR 40T
213	PK12M	KEY 5 X 5 X 30
1100	PSB77M	CAP SCREW M12-1.75 X 30
1101	PS12M	PHLP HD SCR M3-.5 X 6
1102	P4003G1102	FRONT CONTROL PLATE
1103	PSS04M	SET SCREW M6-1 X 12
1104	P4003G1104	HANDLE ASSY
1105	P4003G1104	HANDLE STUD
1106	P4003G1106	HANDLE HUB
1107	P4003G1107	INFORMATION PLATE
1108	P4003G1108	STEEL BALL 6MM
1109	P4003G1109	COMPRESSION SPRING
1110	PSS20M	SET SCREW M8-1.25 X 8
1111	P4003G1111	TAPER PIN
1112	P4003G1112	HANDLE
1113	P4003G1113	INFORMATION PLATE
1114	P4003G1114	COMPRESSION SPRING
1115	P4003G1115	HANDLE HUB
1116	P4003G1116	OIL PLUG
1117	PSS01M	SET SCREW M6-1 X 10
1118	PSS02M	SET SCREW M6-1 X 6
1119	P4003G1119	HEAD END COVER
1119-1	P4003G1119-1	SPIDER SAFETY COVER
1119-2	P4003G1119-2	SPIDER COVER BOLT KNOB
1119-3	P4003G1119-3	NUT FOR SPIDER COVER BOLT
1119-4	P4003G1119-4	SPIDER COVER BOLT
1119-5	P4003G1119-5	END COVER TOP BOLT
1119-6	P4003G1119-6	DOUBLE-END STUD
1120	P4003G1120	METAL KNOB WITH M8-1.25 SHAFT
1122	P4003G1119-2	METAL KNOB WITH GROOVED SHAFT
1123	P4003G1123	E-CLIP 15MM
1124	P4003G1119-4	SPECIAL BOLT M16-2 X 40
1125	P4003G1119-3	HEX NUT M16-2



Quick Change System



Quick Change System Parts List

REF	PART #	DESCRIPTION
301	P4003G0301	LEAD SCREW
302	PRP10M	ROLL PIN 5 X 36
304	P8103	THRUST BEARING 8103
305	P4003G0305	SHAFT
306	PK19M	KEY 5 X 5 X 14
308	P4003G0308	GEAR
309	PN09M	HEX NUT M12-1.75
310	P4003G0310	SPECIAL WASHER
311	PSB01M	CAP SCREW M6-1 X 16
312	P4003G0312	COVER
313	PK12M	KEY 5 X 5 X 30
314	PK06M	KEY 5 X 5 X 10
315	P4003G0315	SHAFT
316	P4003G0316	BUSHING
318	P4003G0318	GEAR 32/16T
320	P4003G0320	GEAR 32/16T
322	P4003G0322	LEVER
324	PB01M	HEX BOLT M10-1.5 X 30
325	P4003G0325	BOSS
326	PRP28M	ROLL PIN 5 X 40
327	P4003G0327	GEARBOX
327A	P4003G0327A	GEARBOX ASSEMBLY
328	P4003G0328	PLATE
329	PSB01M	CAP SCREW M6-1 X 16
330	P4003G0330	SHAFT
331	PEC04M	E-CLIP 13MM
332	P4003G0332	SHIFT PIVOT
333	PRP73M	ROLL PIN 4 X 30
334	P4003G0334	SHIFT FORK
335	PSB26M	CAP SCREW M6-1 X 12
336	P4003G0336	SPECIAL WASHER
337	P4003G0337	GEAR 16T
340	P4003G0340	GEAR 32T

REF	PART #	DESCRIPTION
341	P4003G0341	GEAR 16T
342	P4003G0342	GEAR 32T
343	P4003G0343	GEAR 16T
344	P4003G0344	GEAR 16T
345	P4003G0345	GEAR 18T
346	P4003G0346	GEAR 19T
347	P4003G0347	GEAR 20T
348	P4003G0348	GEAR 22T
349	P4003G0349	GEAR 24T
350	P4003G0350	GEAR 26T
351	P4003G0351	GEAR 28T
352	P4003G0352	GEAR 24T
353	P4003G0353	SHAFT
354	PK120M	KEY 5 X 5 X 75
355	PK02M	KEY 5 X 5 X 40
356	P4003G0356	ANG CONTACT BEARING 7000
357	P4003G0357	GEAR 16T
358	P4003G0358	GEAR 32T
359	P4003G0359	SHIFT LEVER
362	P4003G0362	SHIFT ROD KEY
363	P4003G0363	SHIFT ROD
364	PN01M	HEX NUT M6-1
365	P4003G0365	SHAFT
366	P4003G0366	SHAFT
367	P4003G0367	SPRING
368	P4003G0368	SLEEVE
369	P4003G0369	HOUSING
370	P4003G0370	SHAFT
371	PSS20M	SET SCREW M8-1.25 X 8
372	P4003G0372	GEAR 15T
373	P4003G0373	GEAR 24T
374	P4003G0374	SHAFT



Apron



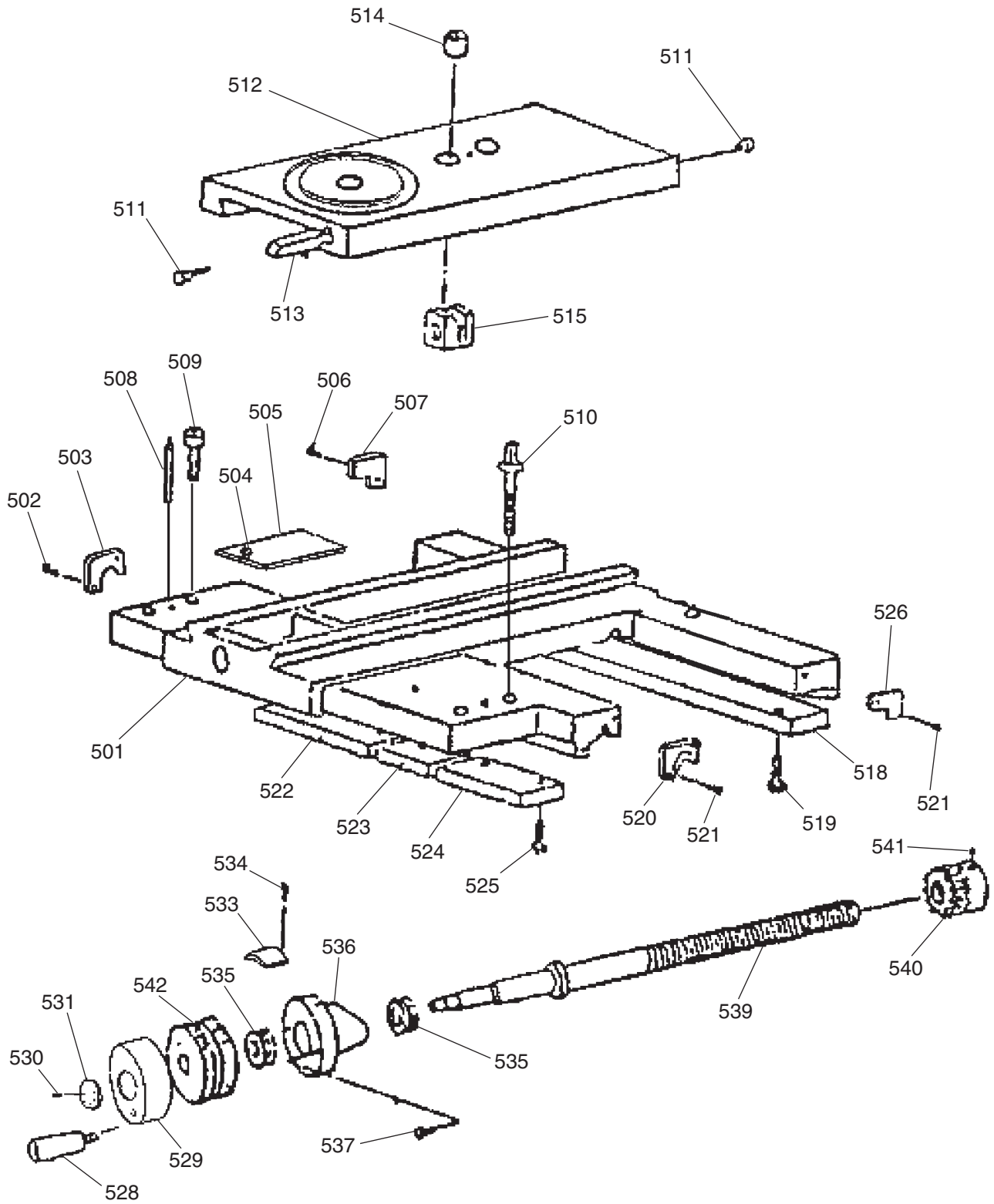
Apron Parts List

REF	PART #	DESCRIPTION
401	P4003G0401	HANDLE
402	P4003G0402	HANDWHEEL
403	P4003G0403	GRADUATED DIAL
404	PRP28M	ROLL PIN 5 X 40
405	PSS25M	SET SCREW M6-1 X 20
406	P4003G0406	BRACKET
407	P4003G0407	GEAR SHAFT
408	P4003G0408	KNOB
409	PRP05M	ROLL PIN 5 X 30
410	P4003G0410	GEAR
411	PR08M	EXT RETAINING RING 19MM
412	P4003G0412	GEAR SHAFT 11T
413	P4003G0413	GEAR 48T
414	P4003G0414	GEAR 51T
415	PRP05M	ROLL PIN 5 X 30
417	P4003G0417	SHAFT
418	P4003G0418	BUSHING
419	P4003G0419	GEAR 25T
419-1	P4003G0419-1	SPACER
420	P4003G0420	SHAFT
420-1	P4003G0420-1	GEAR 24T
421	P4003G0421	WORM GEAR
422	PK33M	KEY 5 X 5 X 45
423	PRP06M	ROLL PIN 5 X 24
424	P4003G0424	GEAR 14T
425	P4003G0425	KNOB
426	P4003G0426	GEAR SHAFT 10T
427	P4003G0427	LEVER
428	PRP06M	ROLL PIN 5 X 24
429	P4003G0429	STEEL BALL 6MM
430	P4003G0430	COMPRESSION SPRING
431	PSS03M	SET SCREW M6-1 X 8
432	PSB30M	CAP SCREW M6-1 X 45
433	P4003G0433	BOSS

REF	PART #	DESCRIPTION
434	PW03M	FLAT WASHER 6MM
435	PSB29M	CAP SCREW M6-1 X 40
436	P4003G0436	SHAFT
437	P4003G0437	SAFETY SHIFTER
438	PSS17M	SET SCREW M8-1.25 X 6
439	P4003G0439	COMPRESSION SPRING
440	P4003G0440	STEEL BALL 6MM
441	P4003G0441	BOSS
442	PRP32M	ROLL PIN 6 X 40
443	P4003G0443	DOG
444	PSS19M	SET SCREW M8-1.25 X 30
445	P4003G0445	LEVER
447	P4003G0447	SHAFT
448	PSB127M	CAP SCREW M6-1X 65
449	PSB28M	CAP SCREW M6-1 X 15
450	P4003G0450	GEAR
451	PSB49M	CAP SCREW M6-1 X 60
451-1	P4003G0451-1	SPACER
452	P4003G0452	HOUSING
453	P4003G0453	THREAD DIAL
454	PN01M	HEX NUT M6-1
455	PSS11M	SET SCREW M6-1 X 16
456	P4003G0456	HALF NUT
457	P4003G0457	HALF NUT HOUSING
458	PSS12M	SET SCREW M6-1 X 25
459	P4003G0459	GIB
461	P4003G0461	SHAFT
463	P4003G0463	GEAR 25T
464	PSS02M	SET SCREW M6-1 X 6
465	P4003G0465	APRON CASE
466	P4003G0466	WORM BRACKET
467	P4003G0467	LIMIT BLOCK
468	PSB61M	CAP SCREW M10-1.5 X 20



Saddle



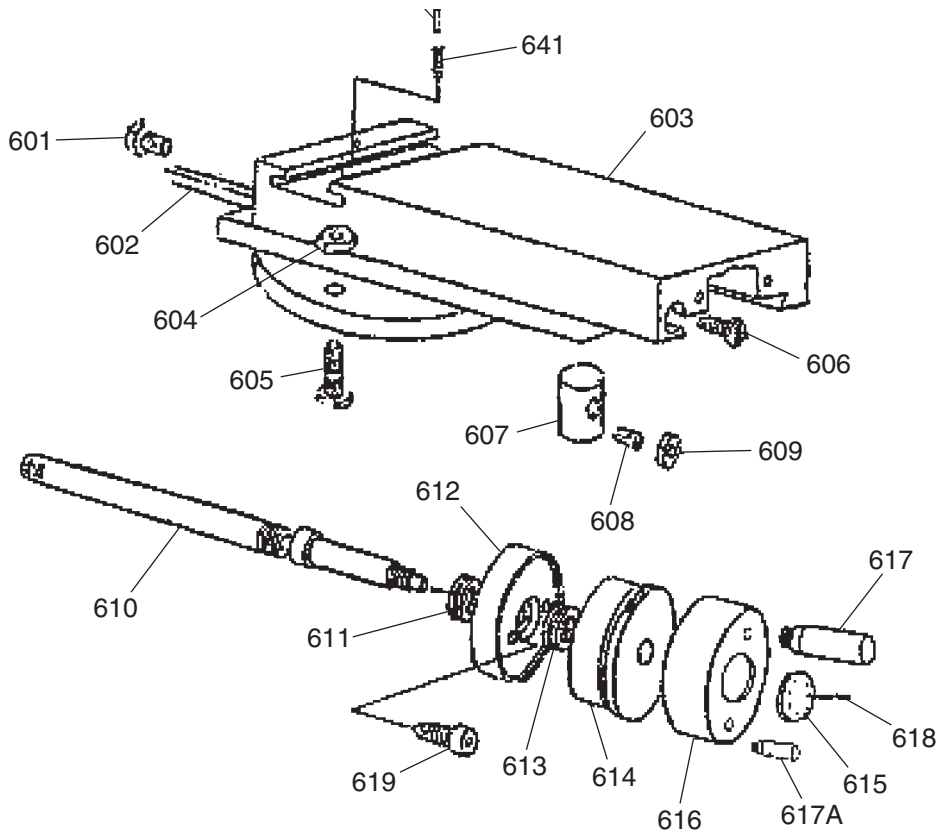
Saddle Parts List

REF	PART #	DESCRIPTION
501	P4003G0501	SADDLE
502	PS59M	PHLP HD SCR M3-.5 X 14
503	P4003G0503	WIPER
504	PS24	PHLP HD SCR 8-32 x 3/8
505	P4003G0505	COVER
506	PS57M	PHLP HD SCR M5-.8 X 14
507	P4003G0507	WIPER
508	PRP29M	ROLL PIN 5 X 45
509	PSB40M	CAP SCREW M8-1.25 X 35
510	P4003G0510	SPECIAL SCREW
511	P4003G0511	SPECIAL SCREW
512	P4003G0512	CROSS SLIDE
513	P4003G0513	GIB
514	P4003G0514	BUSHING
515	P4003G0515	BRASS CROSS SLIDE NUT M8 X 12
518	P4003G0518	SLIDE PLATE
519	PFH21M	FLAT HD SCR M8-1.25 X 25
520	P4003G0520	WIPER

REF	PART #	DESCRIPTION
521	PS57M	PHLP HD SCR M5-.8 X 14
522	P4003G0522	SLIDE PLATE
523	P4003G0523	SLIDE PLATE
524	P4003G0524	SLIDE PLATE
525	PB19M	HEX BOLT M8-1.25 X 24
526	P4003G0526	WIPER
528	P4003G0528	HANDLE
529	P4003G0529	BRACKET
530	P4003G0530	SPECIAL SCREW
531	P4003G0531	SPANNER NUT
533	P4003G0533	INDICATOR PLATE
534	P4003G0534	SPECIAL SCREW
535	P8102	THRUST BEARING 8102
536	P4003G0536	BRACKET
537	PSB06M	CAP SCREW M6-1 X 25
539	P4003G0539	LEAD SCREW
540	P4003G0540	GEAR 13T
541	PSS20M	SET SCREW M8-1.25 X 8



Compound Slide

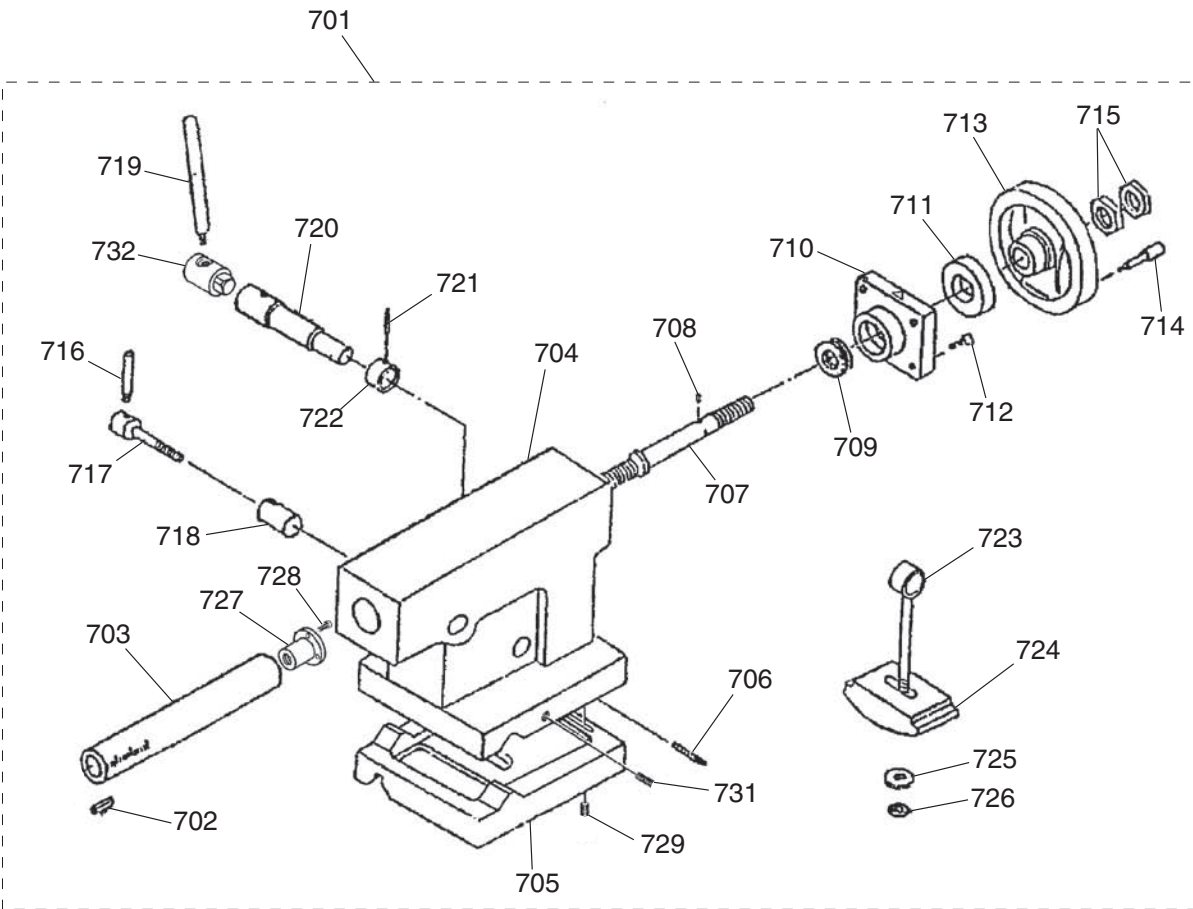


REF	PART #	DESCRIPTION
601	P4003G0601	SPECIAL SCREW
602	P4003G0602	GIB
603	P4003G0603	COMPOUND SLIDE
604	PN02M	HEX NUT M10-1.5
605	P4003G0605	SPECIAL SCREW
606	P4003G0606	SPECIAL SCREW
607	P4003G0607	LEAD SCREW NUT
608	PSS03M	SET SCREW M6-1 X 8
609	PN01M	HEX NUT M6-1
610	P4003G0610	LEAD SCREW
611	P8101	THRUST BEARING 8101

REF	PART #	DESCRIPTION
612	P4003G0612	BRACKET
613	P8101	THRUST BEARING 8101
614	P4003G0614	GRADUATED DIAL
615	P4003G0615	SPANNER NUT
616	P4003G0616	BRACKET
617	P4003G0617	HANDLE LARGE
617A	P4003G0617A	HANDLE SMALL
618	PSS07M	SET SCREW M5-.8 X 5
619	PSB28M	CAP SCREW M6-1 X 15
640	P4003G0640	PIN
641	P4003G0641	SPECIAL SCREW



Tailstock

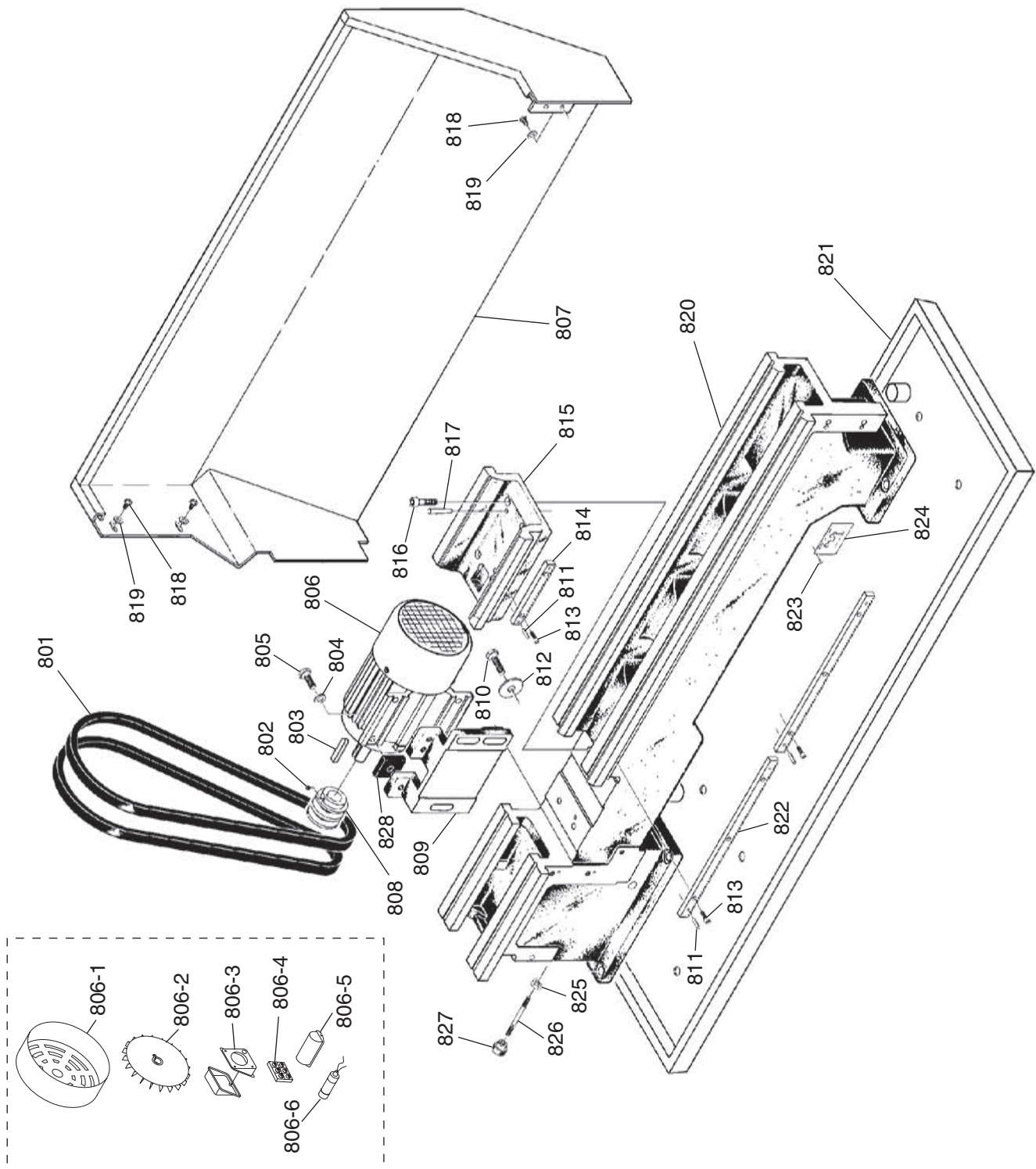


REF	PART #	DESCRIPTION
702	PK136M	KEY 8 X 8 X 30
703	P4003G0703	QUILL
704	P4003G0704	TAILSTOCK
705	P4003G0705	BASE
706	PSS39M	SET SCREW M10-1.5 X 50
707	P4003G0707	SPECIAL SCREW
708	P4003G0708	PIN
709	P4003G0709	BALL BEARING 8101
710	P4003G0710	BRACKET
711	P4003G0711	GRADUATED DIAL
712	PSB02M	CAP SCREW M6-1 X 20
713	P4003G0713	HANDWHEEL
714	P4003G0714	HANDLE
715	PN09M	HEX NUT M12-1.75
716	P4003G0716	HANDLE

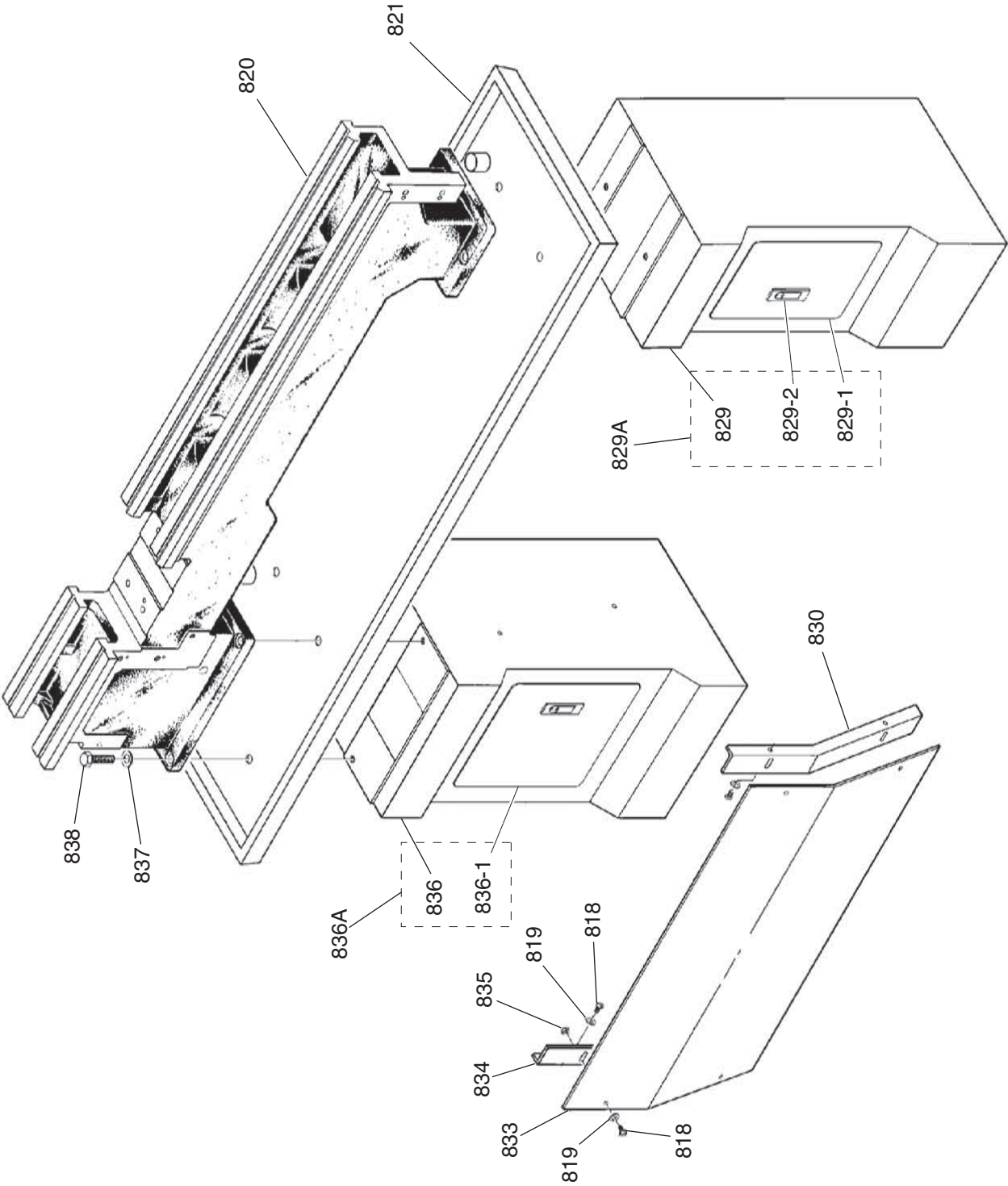
REF	PART #	DESCRIPTION
717	P4003G0717	LOCK SCREW
718	P4003G0718	LOCK SHAFT
719	P4003G0719	HANDLE
720	P4003G0720	SHAFT
721	PRP05M	ROLL PIN 5 X 30
722	P4003G0722	COLLAR
723	P4003G0723	SHAFT
724	P4003G0724	BASE SHOE BLOCK
725	PW06M	FLAT WASHER 12MM
726	PN09M	HEX NUT M12-1.75
727	P4003G0727	SPECIAL NUT
728	PSB17M	CAP SCREW M4-.7 X 10
729	PSS28M	SET SCREW M6-1 X 30
731	PSS42M	SET SCREW M8-1.25 X 50
732	P4003G0732	HANDLE BASE



Lathe Bed & Motor



Base



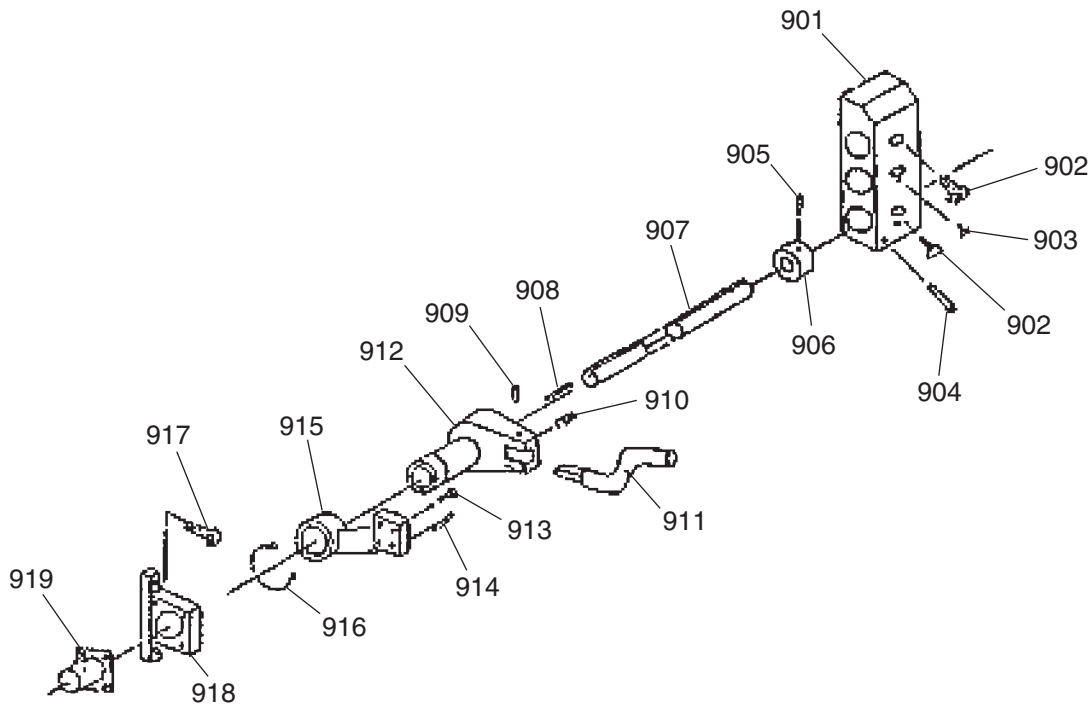
Lathe Bed, Motor & Base Parts List

REF	PART #	DESCRIPTION
801	PVA32	V-BELT A-32 4L320
802	PSS05M	SET SCREW M5-.8 X 10
803	P4003G0803	HEAD KEY
804	PW04M	FLAT WASHER 10MM
805	PB32M	HEX BOLT M10-1.5 X 25
806	P4003G0806	MOTOR 2HP/220V/1-PH
806-1	P4003G0806-1	MOTOR FAN COVER
806-2	P4003G0806-2	MOTOR FAN
806-3	P4003G0806-3	MOTOR JUNCTION BOX
806-4	P4003G0806-4	MOTOR TERMINAL BLOCK
806-5	P4003G0806-5	MOTOR CAPACITOR COVER
806-6	P4003G0806-6	CAPACITOR 150MFD/250VAC
807	P4003G0807	SPLASH GUARD
808	P4003G0808	PULLEY
809	P4003G0809	BRACKET
810	PB01M	HEX BOLT M10-2.5 X 30
811	PRP49M	ROLL PIN 5 X 25
812	PW04M	FLAT WASHER 10MM
813	PSB06M	CAP SCREW M6-1 X 25
814	P4003G0814	RACK GEAR
815	P4003G0815	GAP PIECE
816	PSB70M	CAP SCREW M10-1.5 X 45
817	P4003G0817	THREADED TAPER PIN
818	PS68M	PHLP HD SCR M6-1 X 10

REF	PART #	DESCRIPTION
819	PW03M	FLAT WASHER 6MM
820	P4003G0820	LATHE BED
821	P4003G0821	CHIP PAN
822	P4003G0822	RACK GEAR
823	P4003G0823	RIVET 2 X 5
824	P4003G0824	INFORMATION PLATE
825	PN02M	HEX NUT M10-1.5
826	P4003G0826	SPECIAL STUD
827	P4003G0827	SPECIAL NUT
828	P4003G0828	SPACER BLOCK
829A	P4003G0829A	COMPLETE RIGHT STAND ASSY
829	P4003G0829	RIGHT STAND BASE
829-1	P4003G0829-1	RIGHT STAND DOOR
829-2	P4003G0829-2	DOOR LATCH
830	P4003G0830	RIGHT BRACKET
833	P4003G0833	FRONT PLATE
834	P4003G0834	LEFT BRACKET
835	PN01M	HEX NUT M6-1
836A	P4003G0836A	COMPLETE LEFT STAND ASSY
836	P4003G0836	LEFT STAND BASE
836-1	P4003G0836-1	LEFT STAND DOOR
837	PW10M	FLAT WASHER 14MM
838	PB129M	HEX BOLT M14-2 X 45



Feed Rod



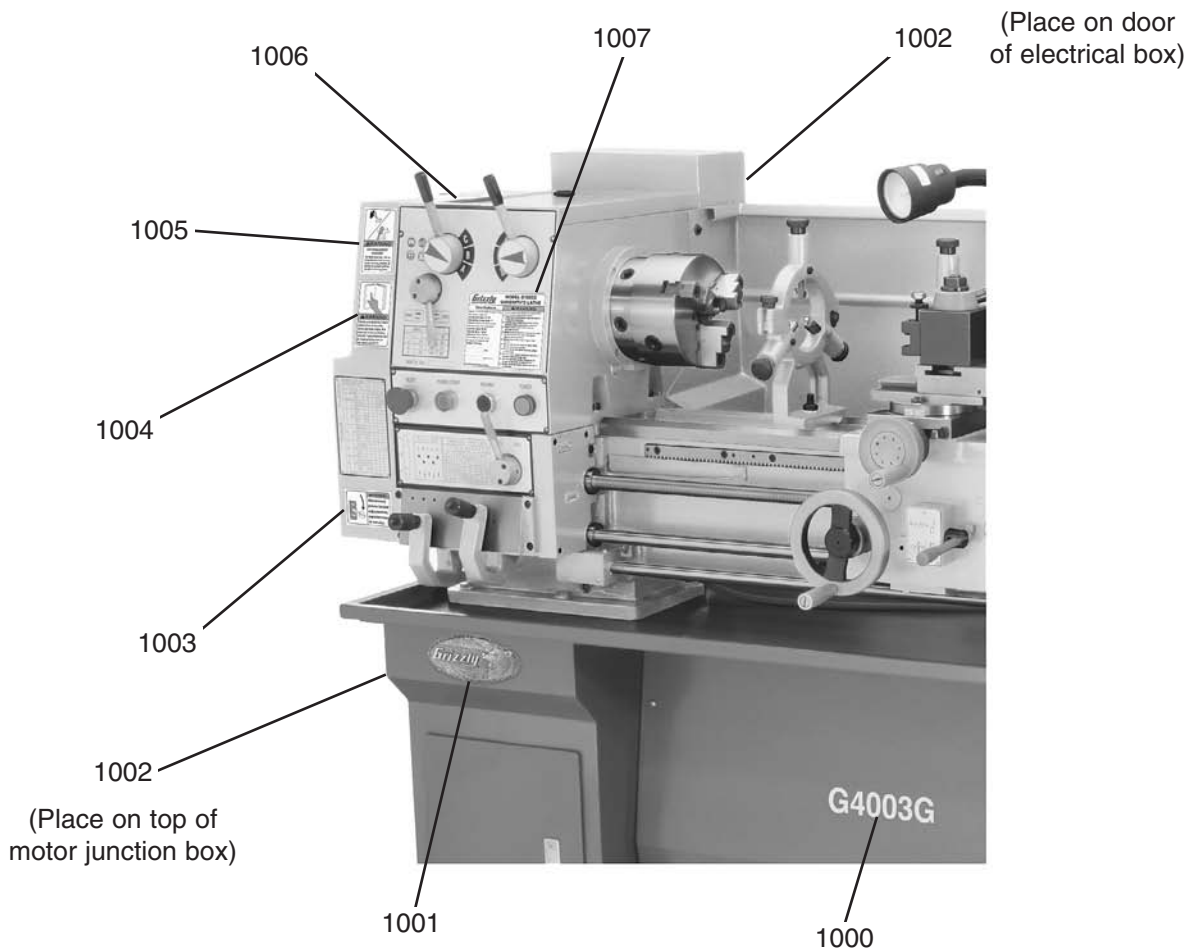
Feed Rod Parts List

REF	PART #	DESCRIPTION
901	P4003G0901	BRACKET
902	PSB25M	CAP SCREW M6-1 X 11
903	P4003G0903	OIL CAP
904	PRP34M	ROLL PIN 6 X 55
905	PSS02M	SET SCREW M6-1 X 6
906	P4003G0906	COLLAR
907	P4003G0907	FEED ROD
908	P4003G0908	KEY
909	PRP39M	ROLL PIN 4 X 20
910	P4003G0910	SPRING 7020

REF	PART #	DESCRIPTION
911	P4003G0911	HANDLE
912	P4003G0912	BRACKET
913	PSB27M	CAP SCREW M6-1 X 14
914	PRP49M	ROLL PIN 5 X 25
915	P4003G0915	BRACKET
916	PR15M	EXT RETAINING RING 30MM
917	PSB31M	CAP SCREW M8-1.25 X 25
918	P4003G0918	BRACKET
919	P4003G0919	SWITCH



Machine Labels



REF	PART #	DESCRIPTION
1000	P4003G1000	MODEL NUMBER LABEL
1001	G9987	GRIZZLY NAMEPLATE
1002	PLABEL-14	ELECTRICITY LABEL
1003	P4003G1003	DISCONNECT LABEL

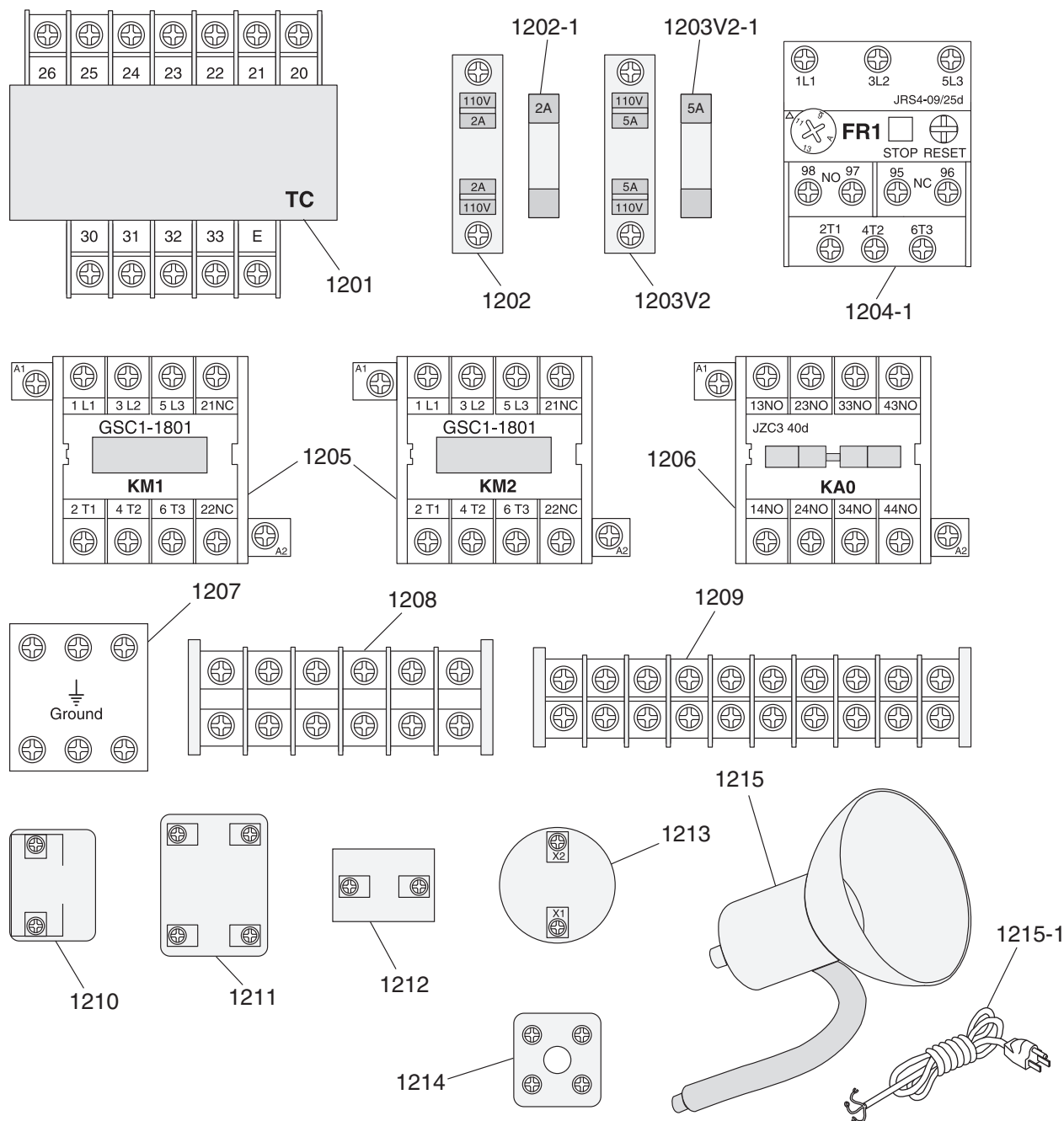
REF	PART #	DESCRIPTION
1004	PLABEL-12	READ MANUAL LABEL
1005	P4003G1005	ENTANGLEMENT HAZARD LABEL
1006	PLABEL-11	SAFETY GLASSES LABEL
1007	P4003G1007	MACHINE ID LABEL

WARNING

Safety labels warn about machine hazards and ways to prevent injury. The owner of this machine **MUST** maintain the original location and readability of the labels on the machine. If any label is removed or becomes unreadable, **REPLACE** that label before using the machine again. Contact Grizzly at (800) 523-4777 or www.grizzly.com to order new labels.



Electrical Components

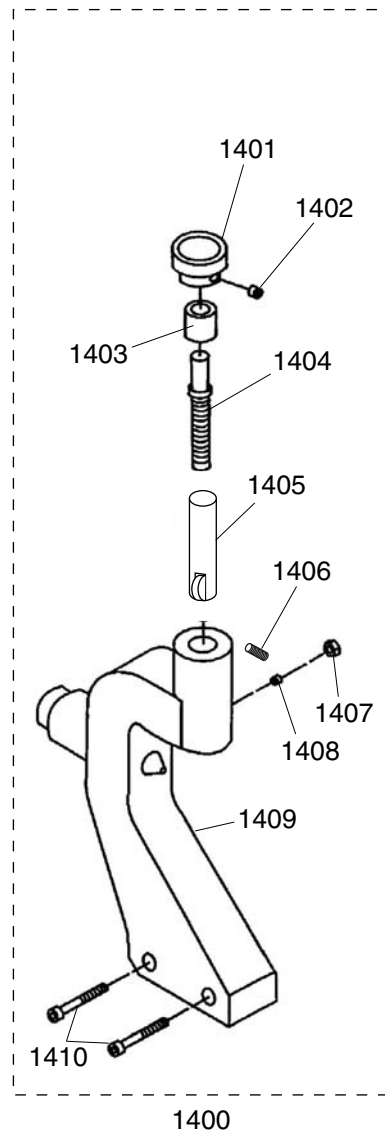
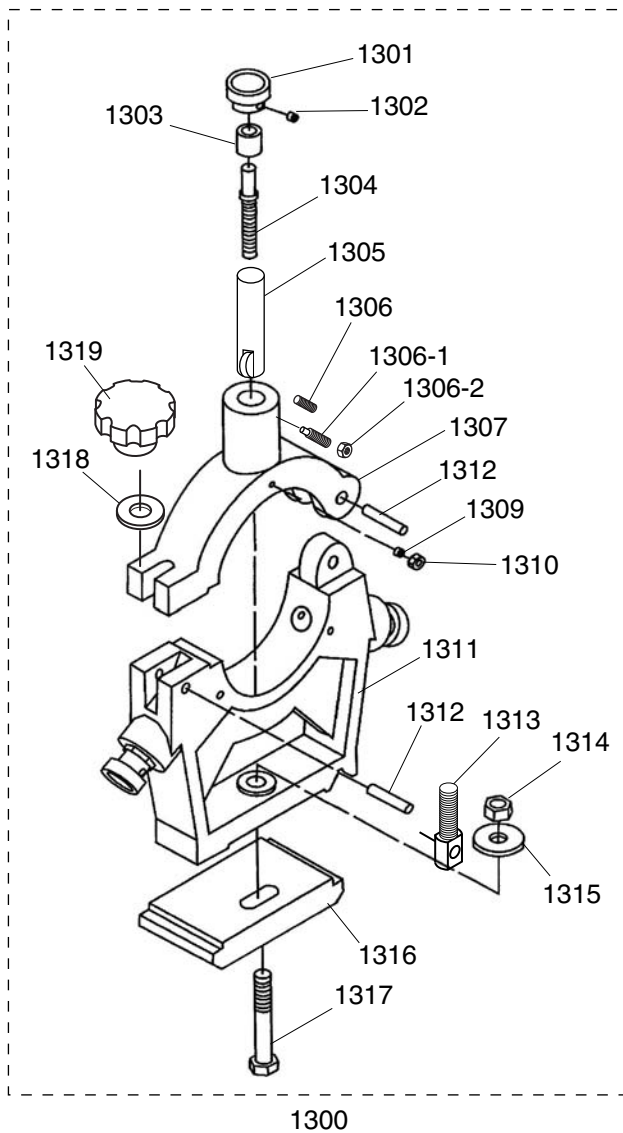


REF	PART #	DESCRIPTION
1201	P4003G1201	TRANSFORMER
1202	P4003G1202	FUSE HOLDER 2A
1202-1	P4003G1202-1	2 AMP FUSE
1203V2	P4003G1203V2	FUSE HOLDER 5A V2.10.06
1203V2-1	P4003G1203A	5 AMP FUSE
1204-1	P4003G1204-1	RELAY JR58-09/25D 110V
1205	P4003G1205	CONTACTOR GSC1-1801
1206	P4003G1206	CONTACTOR JZC3 40D
1207	P4003G1207	GROUND TERMINAL BLOCK

REF	PART #	DESCRIPTION
1208	P4003G1208	TERMINAL BLOCK 12-POLE
1209	P4003G1209	TERMINAL BLOCK 20-POLE
1210	P4003G1210	STOP RESET BUTTON
1211	P4003G1211	POWER ON BUTTON
1212	P4003G1212	JOG BUTTON
1213	P4003G1213	POWER INDICATOR LIGHT
1214	P4003G1214	WORK LIGHT TERMINAL BLOCK
1215	P4003G1215	HALOGEN WORK LIGHT
1215-1	P4003G1215-1	CORD FOR WORK LIGHT



Steady & Follow Rest Assemblies



REF	PART #	DESCRIPTION
1300	P4003G1300	COMPLETE STEADY REST ASSY
1301	P4003G1301	HANDLE
1302	PSS02M	SET SCREW M6-1 X 6
1303	P4003G1303	BUSHING
1304	P4003G1304	SPECIAL SCREW
1305	P4003G1305	FINGER BEARING W/ SLEEVE
1306	PSS03M	SET SCREW M6-1 X 8
1306-1	PSS25M	SET SCREW M6-1 X 20
1306-2	PN01M	HEX NUT M6-1
1307	P4003G1307	UPPER BODY CASTING
1309	PSS25M	SET SCREW M6-1 X 20
1310	PN01M	HEX NUT M6-1
1311	P4003G1311	LOWER BODY CASTING
1312	P4003G1312	LOCK PIN
1313	P4003G1313	LOCK BOLT M8-1.25
1314	PN09M	HEX NUT M12-1.75

REF	PART #	DESCRIPTION
1315	PW06M	FLAT WASHER 12MM
1316	P4003G1316	CLAMP PLATE
1317	PB43M	HEX BOLT M12-1.75 X 75
1318	PW01M	FLAT WASHER 8MM
1319	P4003G1319	KNOB M8-1.25
1400	P4003G1400	COMPLETE FOLLOW REST ASSY
1401	P4003G1401	HANDLE
1402	PSS02M	SET SCREW M6-1 X 6
1403	P4003G1403	BUSHING
1404	P4003G1404	SPECIAL SCREW
1405	P4003G1405	FINGER BEARING W/ SLEEVE
1406	PSS03M	SET SCREW M6-1 X 8
1407	PN01M	HEX NUT M6-1
1408	PSS25M	SET SCREW M6-1 X 20
1409	P4003G1409	BODY CASTING
1410	PSB35M	CAP SCREW M8-1.25 x 60

