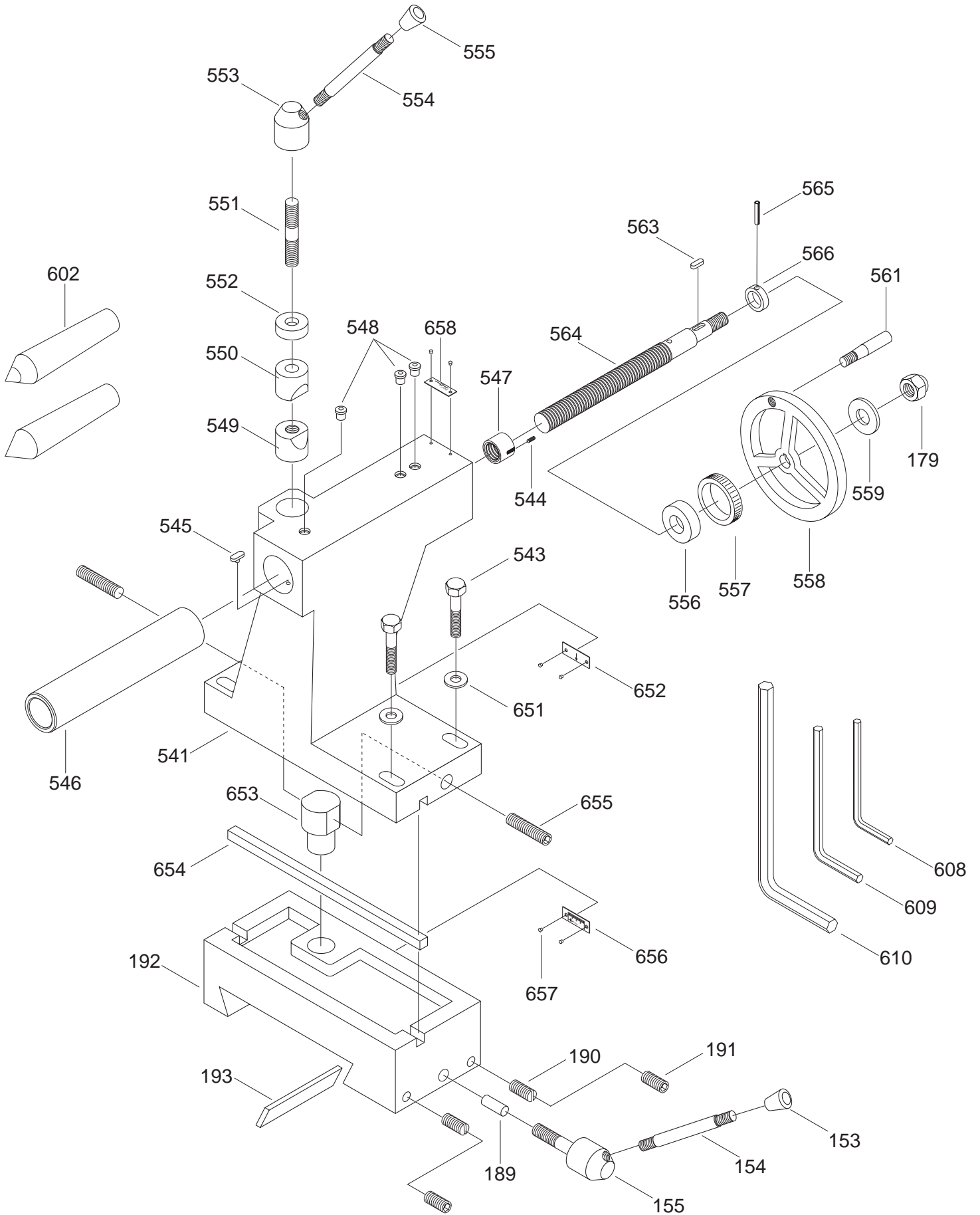
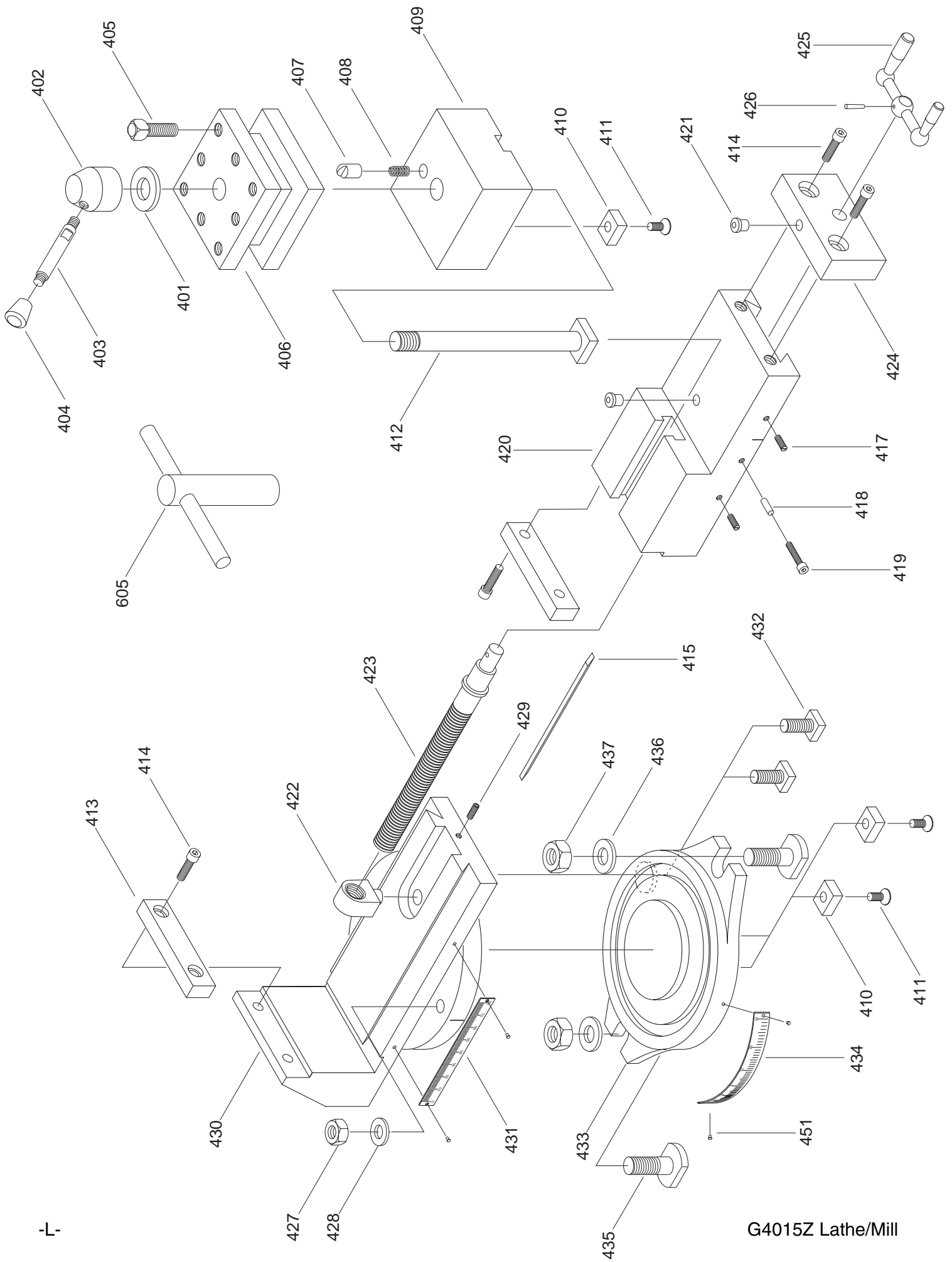


REF	PART #	DESCRIPTION
153	P4015Z153	KNOB
154	P4015Z154	LEVER
155	P4015Z155	LOCK HUB
179	P4015Z179	ACORN NUT
189	P4015Z189	LOCK PIN
190	PSS06M	SET SCREW M8-1.25 X 16
191	PSS21M	SETSCREW M8-1.25 X 25
192	P4015Z192	TAILSTOCK BASE
193	P4015Z193	GIB
541	P4015Z541	TAILSTOCK BODY
543	PB31M	HEX BOLT M10-1.5 X 40
544	PSS23M	SETSCREW M4-.7 X 8
545	P4015Z545	T-KEY
546	P4015Z546	TAILSTOCK BARREL
547	P4015Z547	FEED NUT
548	P4015Z548	OIL CUP
549	P4015Z549	LOCK BUSHING (BOTT)
550	P4015Z550	LOCK BUSHING (TOP)
551	P4015Z551	DOUBLE SCREW BOLT
552	PW04M	FLAT WASHER 10MM
553	P4015Z553	LOCK NUT
554	P4015Z554	LOCK LEVER
555	P4015Z555	KNOB
556	P4015Z556	BRACKET
557	P4015Z557	DIAL
558	P4015Z558	HAND WHEEL
559	PW04M	FLAT WASHER 10MM
561	P4015Z561	HANDLE
563	PK37M	KEY 4 X 4 X 18
564	P4015Z564	FEED SCREW
565	P4015Z565	ROLL PIN
566	P4015Z566	COLLAR
602	P4015Z602	CENTER
608	PAW04M	ALLEN WRENCH 4MM
609	PAW05M	ALLEN WRENCH 5MM
610	PAW08M	ALLEN WRENCH 8MM
651	P4015Z651	FLAT WASHER
652	P4015Z652	INDICATOR
653	P4015Z653	ADJUSTING STUD
654	P4015Z654	KEY
655	P4015Z655	SETSCREW
656	P4015Z656	SCALE
657	P4015Z657	RIVET
658	P4015Z658	INDICATOR



REF	PART #	DESCRIPTION
401	P4015Z401	WASHER
402	P4015Z402	LOCKING HUB
403	P4015Z403	LEVER
404	P4015Z404	KNOB
405	P4015Z405	SQUARE HEAD BOLT
406	P4015Z406	TOOL POST
407	P4015Z407	HOLLOW SET PIN
408	P4015Z408	SPRING
409	P4015Z409	TOOL POST BASE
410	P4015Z410	KEY
411	PS02M	PHLP HD SCR 4-.7 X 12
412	P4015Z412	TOOL POST BOLT
413	P4015Z413	CHELA
414	PSB26M	CAP SCREW M6-1 X 12
415	P4015Z415	GIB
417	PSS24M	SET SCREW M5-.8 X 25
418	P4015Z418	LOCKING PIN
419	PSB09M	CAP SCREW M5-.8 X 17
420	P4015Z420	UPSLIDE
421	P4015Z421	OILER
422	P4015Z422	LEAD SCREW NUT
423	P4015Z423	LEAD SCREW
424	P4015Z424	LEAD SCREW BRACKET
425	P4015Z425	LEVER
426	PRP02M	ROLL PIN 3 X 16
427	PN03M	HEX NUT M8-1.25
428	PW01M	FLAT WASHER 8MM
429	PSS31M	SET SCREW M5-.8 X 8
430	P4015Z430	DOWN SLIDE
431	P4015Z431	SCALE
432	P4015Z432	T-BOLT
433	P4015Z433	BASE
434	P4015Z434	SCALE
435	P4015Z435	T-BOLT
436	PW04M	FLAT WASHER 10MM
437	PN02M	HEX NUT M10-1.5
451	P4015Z451	RIVET
605	P4015Z605	TOOL POST WRENCH

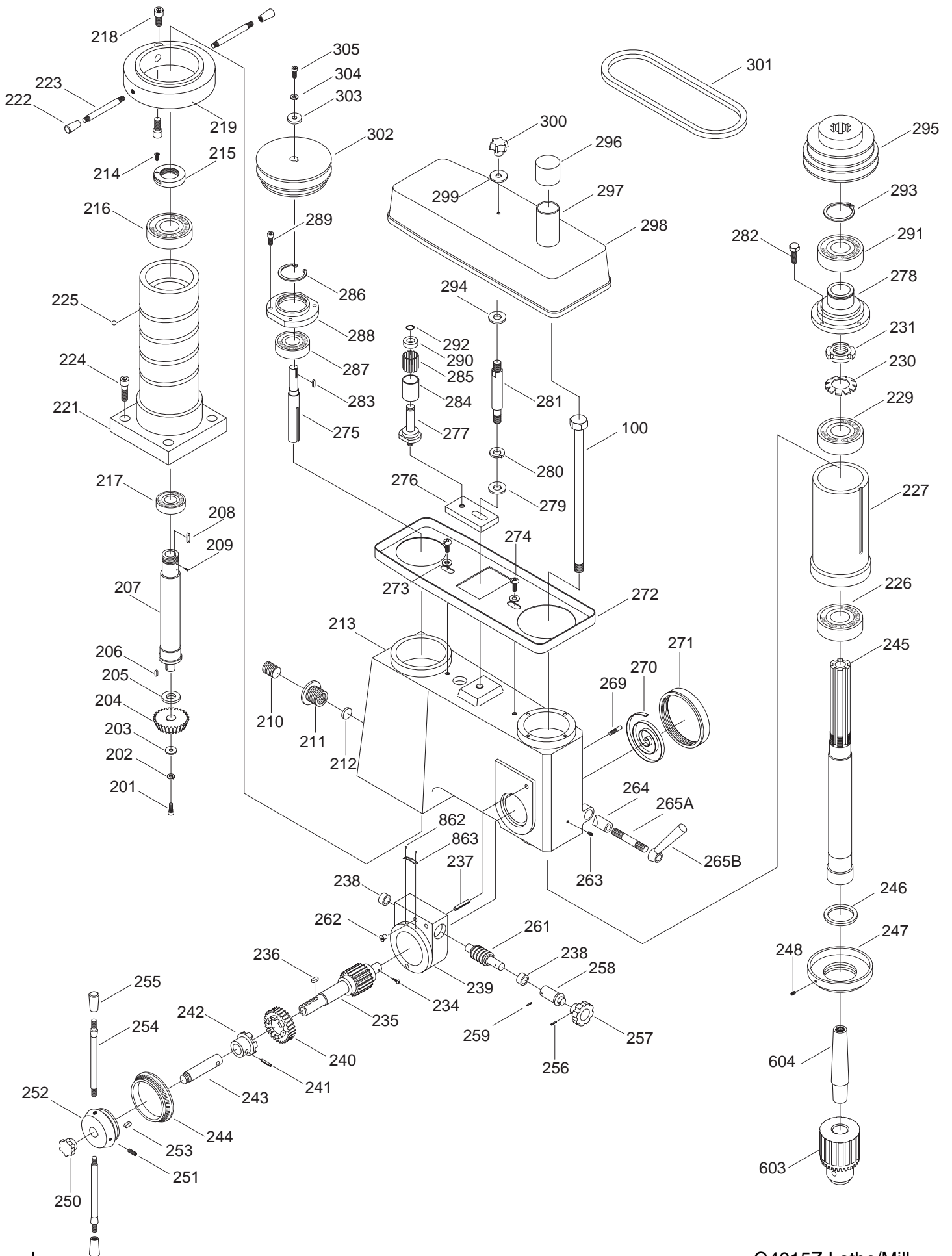


L-

G4015Z Lathe/Mill

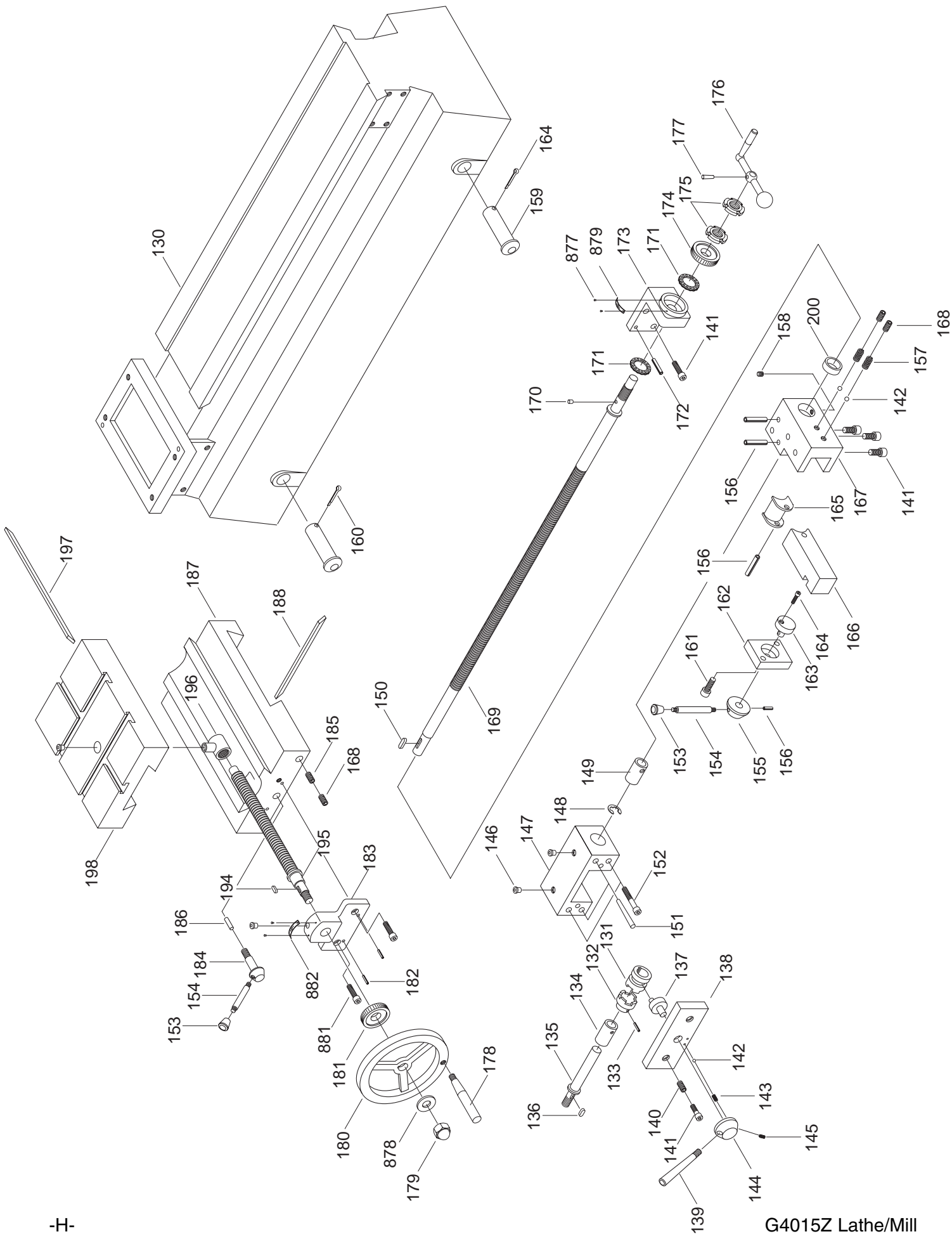
REF	PART #	DESCRIPTION
100	P4015Z100	DRAW BAR
200	P4015Z200	LEAD SCREW SLEEVE
201	PSB24M	CAP SCREW M5-.8 X 16
202	PW02M	FLAT WASHER 5MM
203	P4015Z203	CIRCLIP
204	P4015Z204	BEVEL GEAR
205	P4015Z205	COMP WASHER
206	PK07M	KEY 6 X 6 X 14
207	P4015Z207	DRIVING SHAFT
208	PK43M	KEY 8 X 8 X 45
209	PFH07M	FL HD SCREW M5-.8 X 10
210	P4015Z210	SET SCREW M16 X 20
221	P4015Z211	LOCK BOLT SEAL
212	P4015Z212	LOCKING PIN
213	P4015Z213	DRILL/MILL HOUSING
214	PFH07M	FL HD SCREW M5-.8 X 10
215	P4015Z215	NUT
216	P6007	BALL BEARING 6007
217	P6008	BALL BEARING 6008
218	PSB04M	CAP SCREW M6-1 X 10
219	P4015Z219	PLATE
221	P4015Z221	ROTATION BASE
222	P4015Z222	KNOB
223	P4015Z223	LEVER
224	PSB13M	CAP SCREW M8-1.25 X 30
225	P4015Z225	STEEL BALL
226	P4015Z226	BEARING 2007107
227	P4015Z227	HOLLOW SHAFT
229	P4015Z229	BEARING 2007106
230	P4015Z230	LOCK WASHER
231	P4015Z231	NUT M30-1.5
232	PSS09M	SET SCREW M8-1.25 X 30
234	PSS08M	SET SCREW 4-.7 X 5
235	P4015Z235	GEAR SHAFT
236	PK07M	KEY 6 X 6 X 14
237	PSS03M	SET SCREW M6-1 X 8
238	P4015Z238	COLLAR
239	P4015Z239	FEED BOX HOUSING
240	P4015Z240	WORM GEAR
241	PRP27M	ROLL PIN 5 X 28
242	P4015Z242	CLUTCH
243	P4015Z243	PIN
244	P4015Z244	SCALE RING
245	P4015Z245	DRILL/MILL SHAFT
246	P4015Z246	SEAL
247	P4015Z247	DRILL/MILL SHAFT GLAND
248	PSS05M	SET SCREW M5-.8 X 10
250	P4015Z250	LEVER
251	PSS11M	SET SCREW M6-1 X 18
252	P4015Z252	COLLAR
253	P4015Z253	SPRING LEAF
254	P4015Z254	LEVER

REF	PART #	DESCRIPTION
255	P4015Z255	KNOB
256	PRP16M	ROLL PIN 3 X 25
257	P4015Z257	KNOB
258	P4015Z258	LEVER
259	P4015Z259	PIN
261	P4015Z261	WORM SHAFT
262	P4015Z262	OILER
263	PSS06M	SET SCREW M8-1.25 X 15
264	P4015Z264	COMP WASHER
265A	P4015Z265A	STUD
265B	P4015Z265B	LOCK LEVER
268	P4015Z268	SPRING HOUSING
269	PSS24M	SET SCREW M5-.8 X 25
270	P4015Z270	SPRING
271	P4015Z271	SPRING HOUSING COVER
272	P4015Z272	PULLEY SHELL (BOTT)
273	PW08	FLAT WASHER #8
274	PS16M	PHLP HD SCR M8-1.25 X 12
275	P4015Z275	SHAFT
276	P4015Z276	TIGHTENER BOARD
277	P4015Z277	TIGHTENER SHAFT
278	P4015Z278	PULLEY BRACKET
279	PW01M	FLAT WASHER 8MM
280	PLW04M	LOCK WASHER 8MM
281	P4015Z281	SHELL BOLT
282	PB16M	HEX BOLT M5-.8 X 24
283	PK23M	KEY 5 X 5 X 25
284	P4015Z284	BELT TIGHTENER
285	P4015Z285	ROLLER
286	PR24M	INT RET RING 42MM
287	P6104	BALL BEARING 6104
288	P4015Z288	BEARING BRACKET
289	PSB24M	CAP SCREW M5-.8 X 16
290	P4015Z290	COLLAR
291	P6108	BALL BEARING 6108
292	PR01M	EXT RET RING 10MM
293	PR34M	EXT RET RING 40MM
294	PW01M	FLAT WASHER 8MM
295	P4015Z295	PULLEY
296	P4015Z296	COVER
297	P4015Z297	PIPE
298	P4015Z298	PULLEY SHELL (TOP)
299	PW01M	FLAT WASHER 8MM
300	P4015Z300	KNOB
301	PVM29	V-BELT 29M
302	P4015Z302	PULLEY
303	P4015Z303	WASHER
304	PLW01M	LOCK WASHER 5MM
305	PSB15M	CAP SCREW M5-.8 X 20
603	P4015Z603	DRILL CHUCK
604	P4015Z604	DRILL CHUCK ARBOR



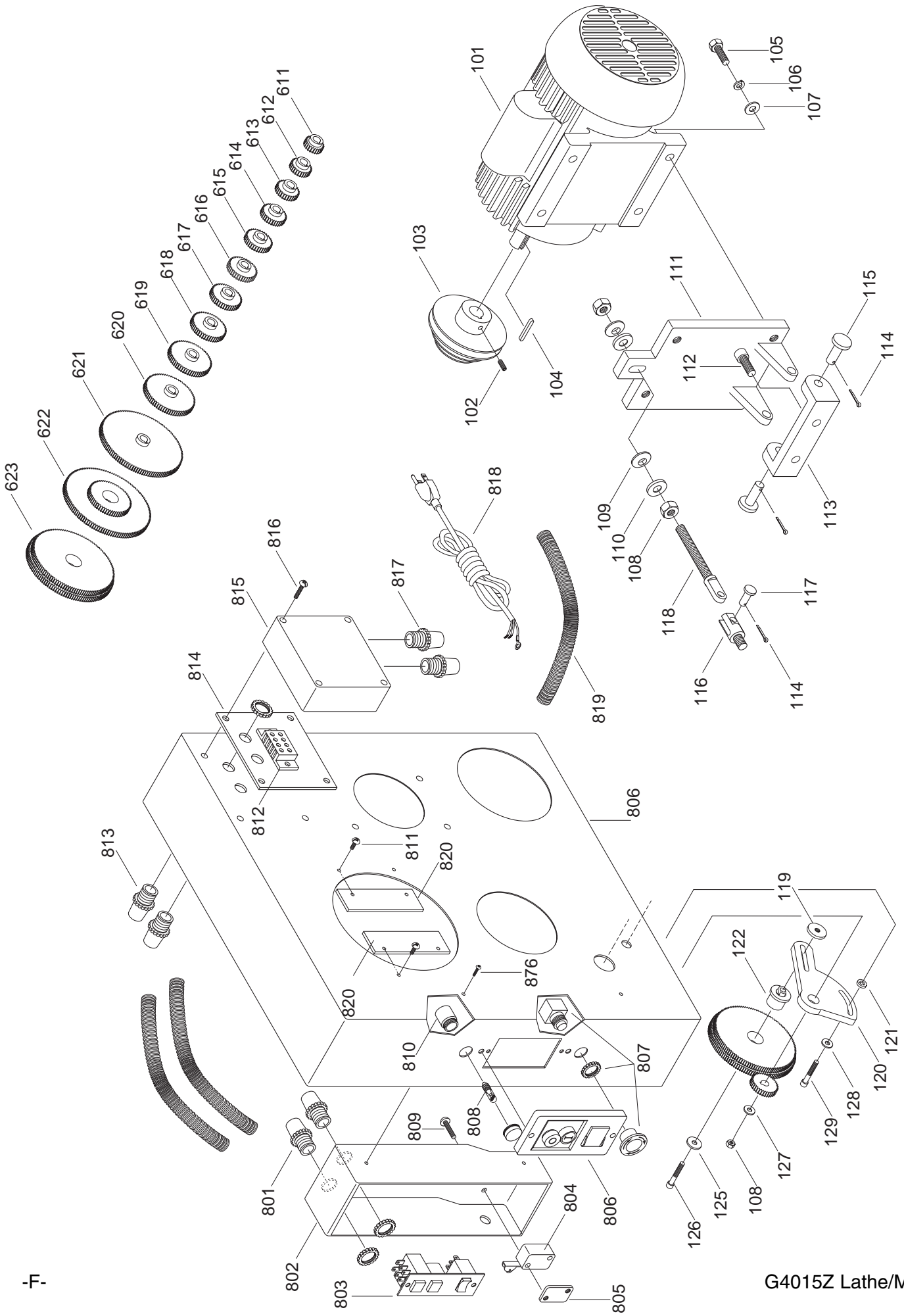
REF	PART #	DESCRIPTION
130	P4015Z130	BODY
131	P4015Z131	CLUTCH B
132	P4015Z132	CLUTCH A
133	PRP25M	ROLL PIN 5 X 21
134	P4015Z134	SLEEVE (LEFT)
135	P4015Z135	SHAFT
136	PK05M	KEY 4 X 4 X 12
137	P4015Z137	ECCENTRIC PIN
138	P4015Z138	COVER
139	P4015Z139	LEVER
140	PSS03M	SET SCREW M6-1 X 12
141	PSB26M	HEX BOLT M8-1.25 X 42
142	P4015Z142	STEEL BALL 6.5
143	P4015Z143	SPRING
144	P4015Z144	LEVER BASE
145	PSS11M	SET SCREW M6-1 X 16
146	P4015Z146	OILER
147	P4015Z147	LINK BASE
148	P4015Z148	E RING
149	P4015Z149	SLEEVE (RIGHT)
150	PK01M	KEY 5 X 5 X 12
151	P4015Z151	PIN
152	PSB37M	CAP SCREW M6-1.0 X 50
153	P4015Z153	KNOB
154	P4015Z154	LEVER
155	P4015Z155	LEVER BASE
156	P4015Z156	SPRING PIN
157	P4015Z157	SPRING
158	PSS17M	SET SCREW M8-1.25 X 6
159	P4015Z159	LIFTING PIN
160	PRP10M	ROLL PIN 5 X 36
161	PSB33M	CAP SCREW M5-.8 X 12
162	P4015Z162	COVER
163	P4015Z163	PIN BASE
164	P4015Z164	PIN

REF	PART #	DESCRIPTION
165	P4015Z165	HALF NUT
166	P4015Z166	HALF NUT BASE
167	P4015Z167	HALF NUT BRACKET
168	PSS14M	SET SCREW M8-1.25 X 12
169	P4015Z169	LONG LEAD SCREW
170	P4015Z170	STEEL PIN
171	P8103	THRUST BEARING 8103
172	P4015Z172	CONE PIN
173	P4015Z173	LEAD SCREW BRACKET
174	P4015Z174	SCALE RING
175	P4015Z175	ROUND NUT
176	P4015Z176	BALL CRANK HANDLE
177	P4015Z177	TAPER PIN
178	P4015Z178	LEVER
179	P4015Z179	ACORN NUT
180	P4015Z180	HANDWHEEL
181	P4015Z0181	SCALE RING
182	PRP06M	ROLL PIN 5 X 24
183	P4015Z183	LEAD SCREW BRACKET
184	P4015Z184	HANDLE SCREW
185	PSS16M	SCREW M8-1.25 X 10
186	P4015Z186	LOCKING PIN
187	P4015Z187	LONGITUDINAL SLIDE
188	P4015Z188	GIB
194	PK48M	KEY 4 X 4 X 20
195	P4015Z195	CROSS LEAD SCREW
196	P4015Z196	CROSS SLIDE NUT
197	P4015Z197	GIB
198	P4015Z198	CROSS SLIDE
877	P4015Z877	RIVET
878	PW04M	FLAT WASHER 10MM
879	P4015Z879	INDEX
881	PSB11M	CAP SCR M8-1.25 X 16
882	P4015Z882	INDEX

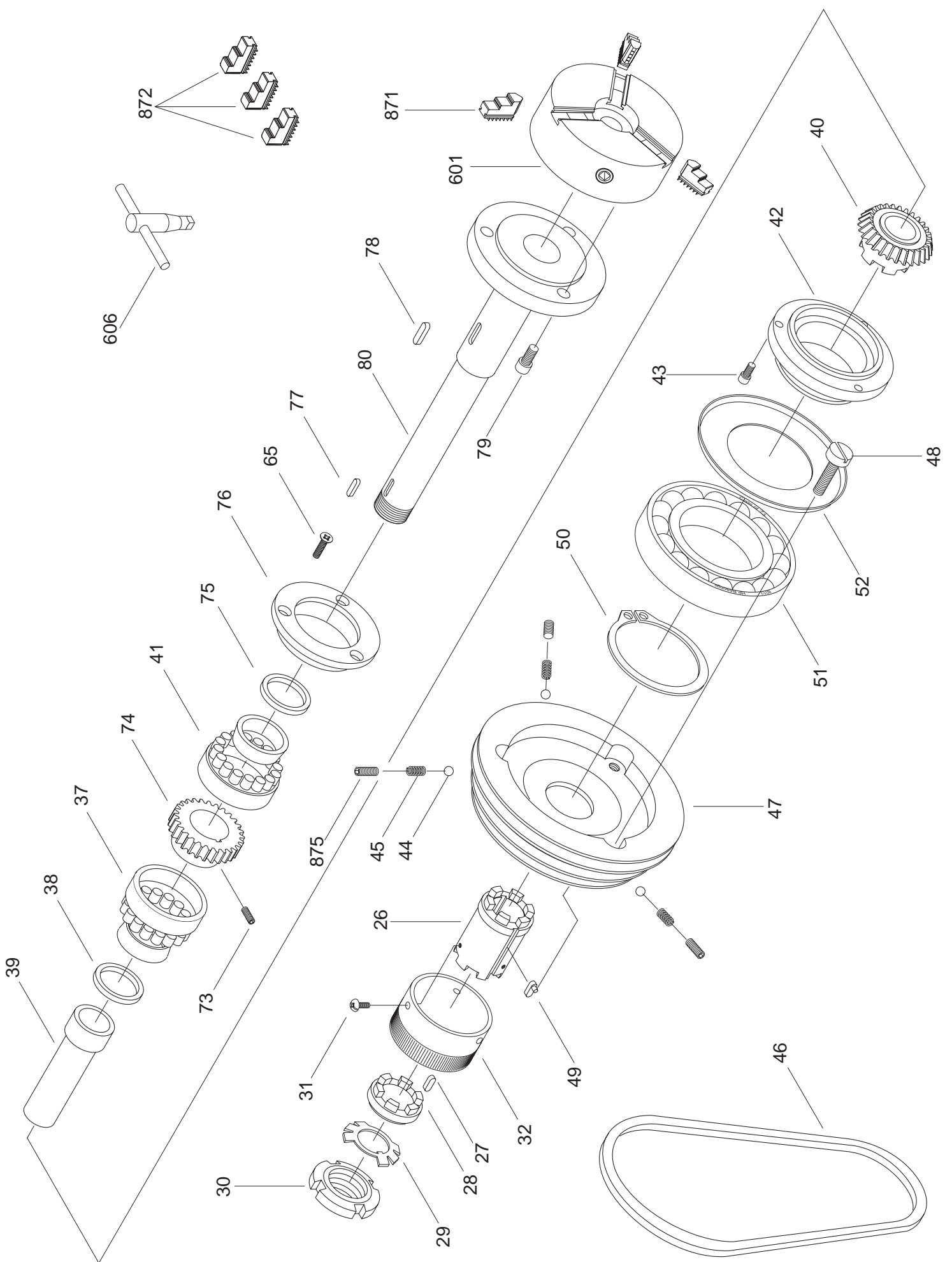


REF	PART #	DESCRIPTION
101	P4015Z101	MOTOR
102	PSS20M	SET SCREW M8-1.25 X 8
103	P4015Z103	PULLEY
104	PK23M	KEY 5 X 5 X 25
105	PB07M	HEX BOLT M8-1.25 X 25
106	PLW04M	LOCK WASHER 8MM
107	PW01M	FLAT WASHER 8MM
108	PN02M	HEX NUT M10-1.5
109	P4015Z109	BALL FACE WASHER
110	P4015Z110	CONE FACE WASHER
111	P4015Z111	MOTOR PEDESTAL
112	PSB11M	CAP SCREW M8-1.25 X 16
113	P4015Z113	MOTOR BRACKET
114	PRP02	ROLL PIN 3 X 16
115	P4015Z115	PIN
116	P4015Z116	MOVABLE JOINT
117	P4015Z117	PIN
118	P4015Z118	BOLT
119	P4015Z119	T-KEY
120	P4015Z120	GEAR BRACKET
121	PW03M	FLAT WASHER
122	P4015Z122	T-COLLAR
125	PW03M	FLAT WASHER 6MM
126	PSB29M	CAP SCREW M6-1 X 40
127	PW03	FLAT WASHER 6MM
128	PW16	FLAT WASHER #6
129	PSB07M	CAP SCREW M6-1 X 30
611	P4015Z611	CHANGE GEAR 24
612	P4015Z612	CHANGE GEAR 25
613	P4015Z613	CHANGE GEAR 27
614	P4015Z614	CHANGE GEAR 30
615	P4015Z615	CHANGE GEAR 33
616	P4015Z616	CHANGE GEAR 36
617	P4015Z617	CHANGE GEAR 42
618	P4015Z618	CHANGE GEAR 48
619	P4015Z619	CHANGE GEAR 60
620	P4015Z620	CHANGE GEAR 75
621	P4015Z621	CHANGE GEAR 120
622	P4015Z622	DUPLEX GEAR 60/120T
623	P4015Z623	DUPLEX GEAR 125/127T

REF	PART #	DESCRIPTION
801	P4015Z801	STRAIN RELIEF
802	P4015Z802	PLASTIC HOUSING
803	P4015Z803	SWITCH ASSEMBLY
804	P4015Z804	SAFETY SWITCH
805	P4015Z805	SPACER
806	P4015Z806	SWITCH COVER
807	P4015Z807	STOP/RESET SWITCH
808	P4015Z808	INDICATOR LIGHT
809	PS25M	PHLP HD SCR M4-.7 X 34
810	P4015Z810	LIGHT HOLDER
811	PS07M	PHLP HD SCR M4-.7 X 8
812	P4015Z812	CONNECTION BUS
813	P4015Z813	STRAIN RELIEF
814	P4015Z814	MOUNTING BRACKET
815	P4015Z815	COVER
816	PS36M	PHLP HD SCR M4-.7 X 30
817	P4015Z817	STRAIN RELIEF
818	PWRCRD110L	POWER CORD 110V LONG
819	P4015Z819	FLEXABLE CONDUIT
820	P4015Z820	GUARD PLATE
876	P4015Z876	WOOD SCREW M4 X 12



REF	PART #	DESCRIPTION
026	P4015Z026	CLUTCH
027	PK40M	KEY 8 X 8 X 12
028	P4015Z028	CLUTCH
029	P4015Z029	TAB WASHER 30
030	P4015Z030	ROUND NUT
031	PSS26M	SETSCREW M5-.8 X 6
032	P4015Z032	HANDLE KNOB
037	P4015Z037	BEARING D2007107
038	P4015Z038	COMP WASHER
039	P4015Z039	SLEEVE
040	P4015Z040	BEVEL GEAR
041	P4015Z041	BEARING
042	P4015Z042	BEARING PEDESTAL
043	PSB38M	CAP SCREW M5-.8 X 30
044	P4015Z044	STEEL BALL M5
045	P4015Z045	SPRING
046	P4015Z046	V-BELT 630
047	P4015Z047	PULLEY
048	PSB04M	CAP SCREW M6-1 X 8
049	P4015Z049	T-KEY
050	P4015Z050	CIRCLIP
051	P6013	BALL BEARING 6013
052	P4015Z052	BEARING PEDESTAL
065	PS07M	PHLP HD SCREW M4 X 8
073	PSS05M	SET SCREW M5-.8 X 10
074	P4015Z074	GEAR
075	P4015Z075	SEAL WASHER
076	P4015Z076	BEARING WASHER
077	PK40M	KEY 8 X 8 X 12
078	PK51M	KEY 8 X 8 X 22
079	PSB26M	CAP SCREW M6 X 12
080	P4015Z080	SPINDLE
601	P4015Z601	3-JAW CHUCK
606	P4015Z606	CHUCK KEY
871	P4015Z871	INT CHUCK JAW (3)
872	P4015Z872	EXT CHUCK JAW (3)

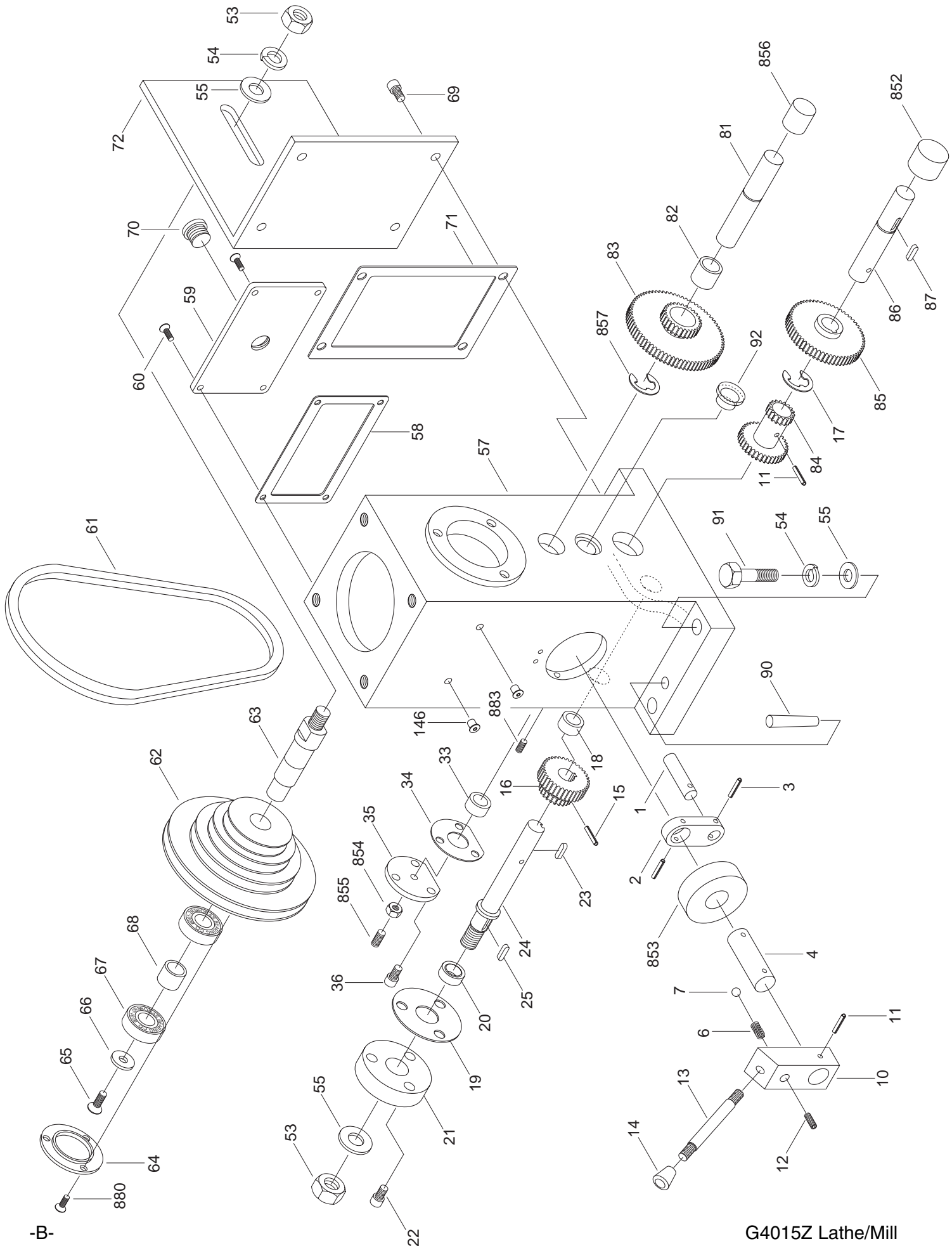


-D-

G4015Z Lathe/Mill

REF	PART #	DESCRIPTION
001	P4015Z001	PIN 8 X 30
002	P4015Z002	LINK BOARD
003	P4015Z003	SPRING PIN
004	P4015Z004	PIN 12 X 40
006	P4015Z006	SPRING
007	P4015Z007	STEEL BALL 5MM
010	P4015Z010	LEVER BASE
011	PRP03M	ROLL PIN 5 X 20
012	PSS14M	SETSCREW M8-1.25 X 12
013	P4015Z013	LEVER
014	P4015Z014	KNOB
015	PRP44M	ROLL PIN 3 X 10
016	P4015Z016	DUPLEX GEAR
017	PR03M	EXT RET RING 12MM
018	P4015Z018	SLEEVE
019	P4015Z019	PAPER WASHER
020	P4015Z020	OIL SEAL
021	P4015Z021	OIL SEAL BOARD
022	PSB15M	CAP SCREW M5-.8 X 20
023	PK34M	KEY 5 X 5 X 20
024	P4015Z024	SHAFT
025	PK05M	KEY 4 X 4 X 10
033	P4015Z033	SLEEVE
034	P4015Z034	PAPER WASHER
035	P4015Z035	COVER
036	PSB50M	CAP SCREW M5-.8 X 10
053	PN08M	HEX NUT M10-1.25
054	PLW06M	LOCK WASHER M10
055	PW03	FLAT WASHER #10
057	P4015Z057	HOUSING
058	P4015Z058	SEAL RING
059	P4015Z059	COVER

REF	PART #	DESCRIPTION
060	PFH07M	FLAT HD SCR M5-.8 X 8
061	P4015Z061	V-BELT 710
062	P4015Z062	PULLEY
063	P4015Z063	SHAFT
064	P4015Z064	COVER
065	PS07M	PHLP HD SCR M4-.7 X 8
066	PW05M	FLAT WASHER M4
067	P4015Z067	BEARING 1000900
068	P4015Z068	COLLAR
069	PSB26M	CAP SCREW M6 X 12
070	P4015Z070	OIL COVER
071	P4015Z071	PAPER WASHER
072	P4015Z072	PULLEY BRACKET
081	P4015Z081	SHAFT
082	P4015Z082	SLEEVE
083	P4015Z083	DUPLEX GEAR
084	P4015Z084	DUPLEX GEAR
085	P4015Z085	GEAR
086	P4015Z086	SHAFT
087	PK19M	KEY 5 X 5 X 14
090	P4015Z090	PIN
091	PB31M	HEX BOLT M10-1.5 X 40MM
092	P4015Z092	OIL WINDOW
146	P4015Z146	OILER 6MM
852	P4015Z852	END BUSHING
853	P4015Z853	SHIFT BRACKET
854	P4015Z854	HEX NUT
855	P4015Z855	SETSCREW
856	P4015Z856	END BUSHING
857	P4015Z857	E CLIP
880	PFH07M	FLAT HD SCR M5-.8 X 10
883	P4015Z883	SLOTTED SCREW

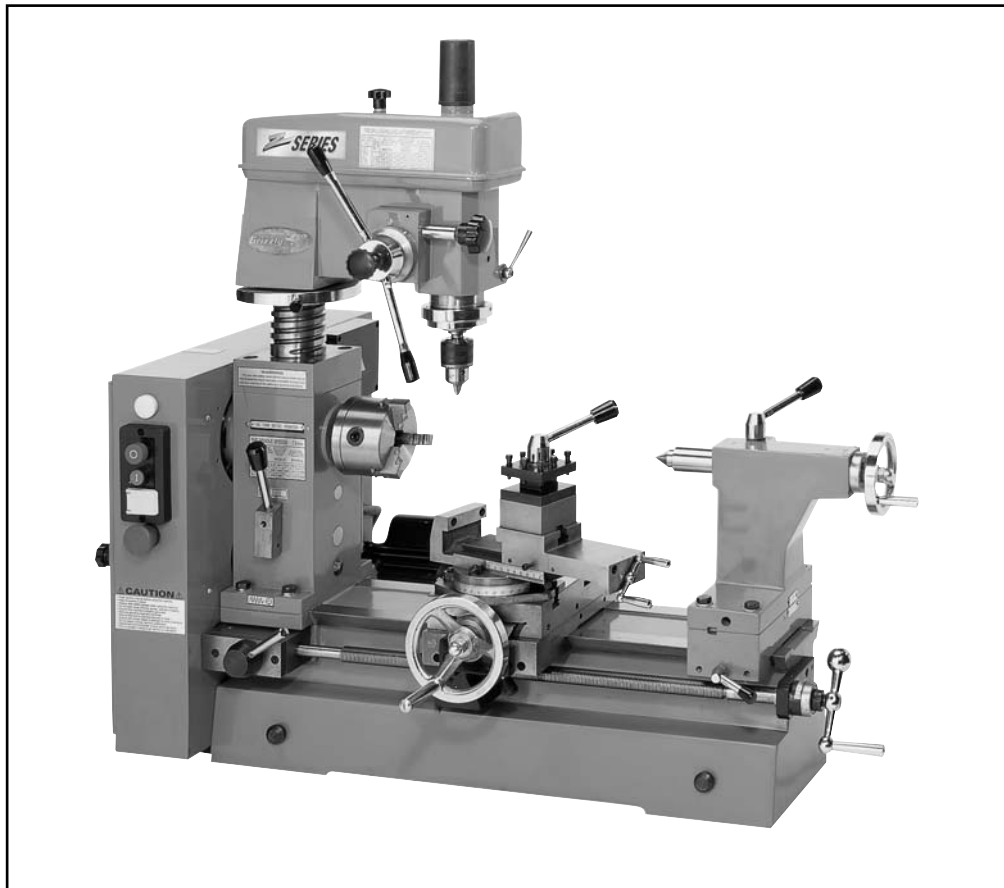


B-

G4015Z Lathe/Mill

Grizzly *Industrial, Inc.*®

COMBINATION LATHE/MILL MODEL G4015Z PARTS LIST



COPYRIGHT © MARCH, 2002 BY GRIZZLY INDUSTRIAL, INC.
**WARNING: NO PORTION OF THIS MANUAL MAY BE REPRODUCED IN ANY SHAPE
OR FORM WITHOUT THE WRITTEN APPROVAL OF GRIZZLY INDUSTRIAL, INC.**
PRINTED IN CHINA

PARTS LIST DISCLAIMER

THIS PARTS LIST AND DRAWINGS REPRESENT THE CONFIGURATION OF THE MACHINE AS IT IS CURRENTLY BEING SHIPPED. THE MACHINE CONFIGURATION CAN CHANGE AS PRODUCT IMPROVEMENTS ARE INCORPORATED. IF YOU OWN AN EARLIER VERSION OF THE MACHINE, THIS PARTS LIST MAY NOT DEPICT YOUR MACHINE EXACTLY. CONTACT CUSTOMER SERVICE IF YOU HAVE ANY QUESTIONS ABOUT PART DIFFERENCES. PREVIOUS PARTS LIST VERSIONS ARE NOT AVAILABLE ONLINE.