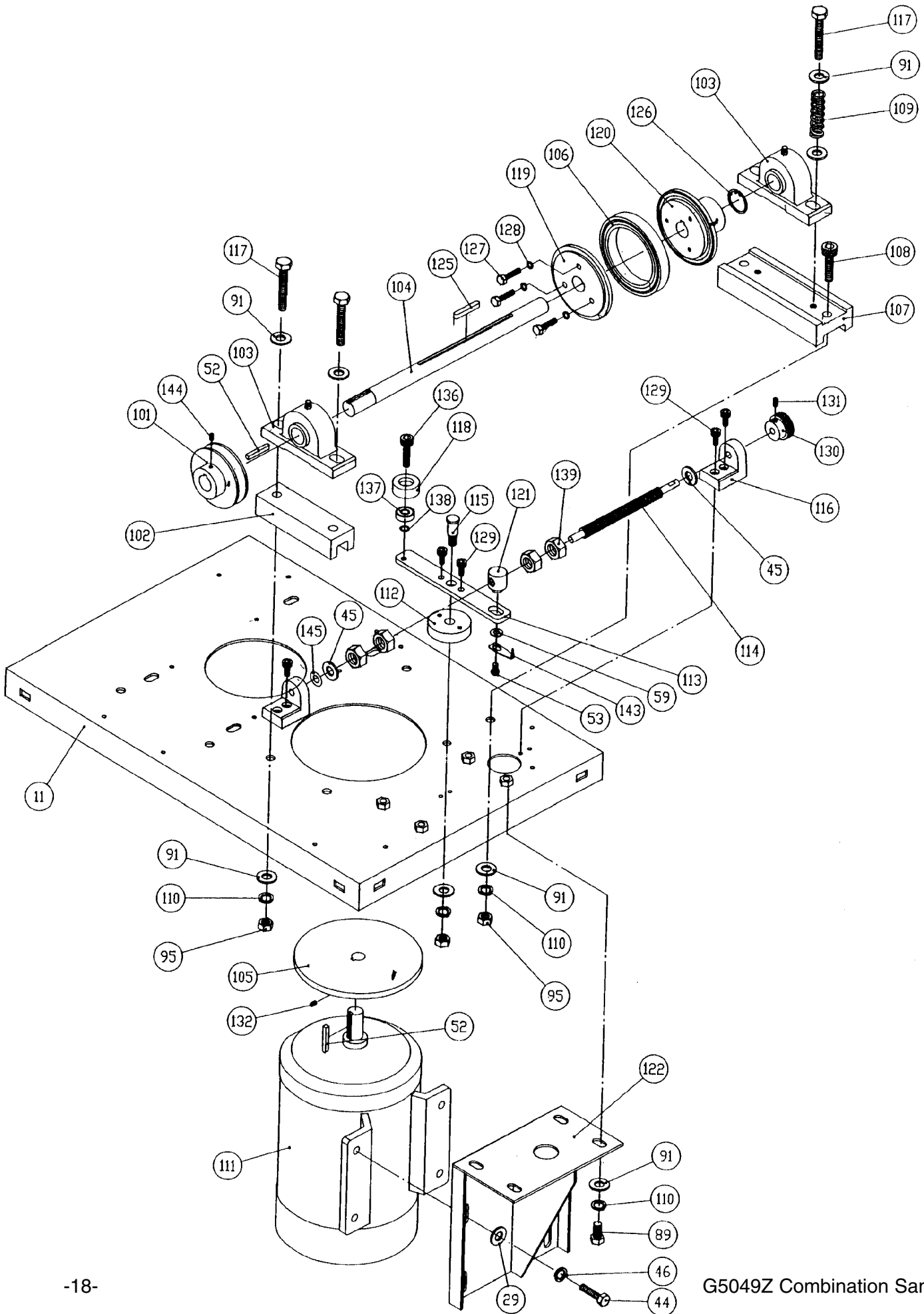
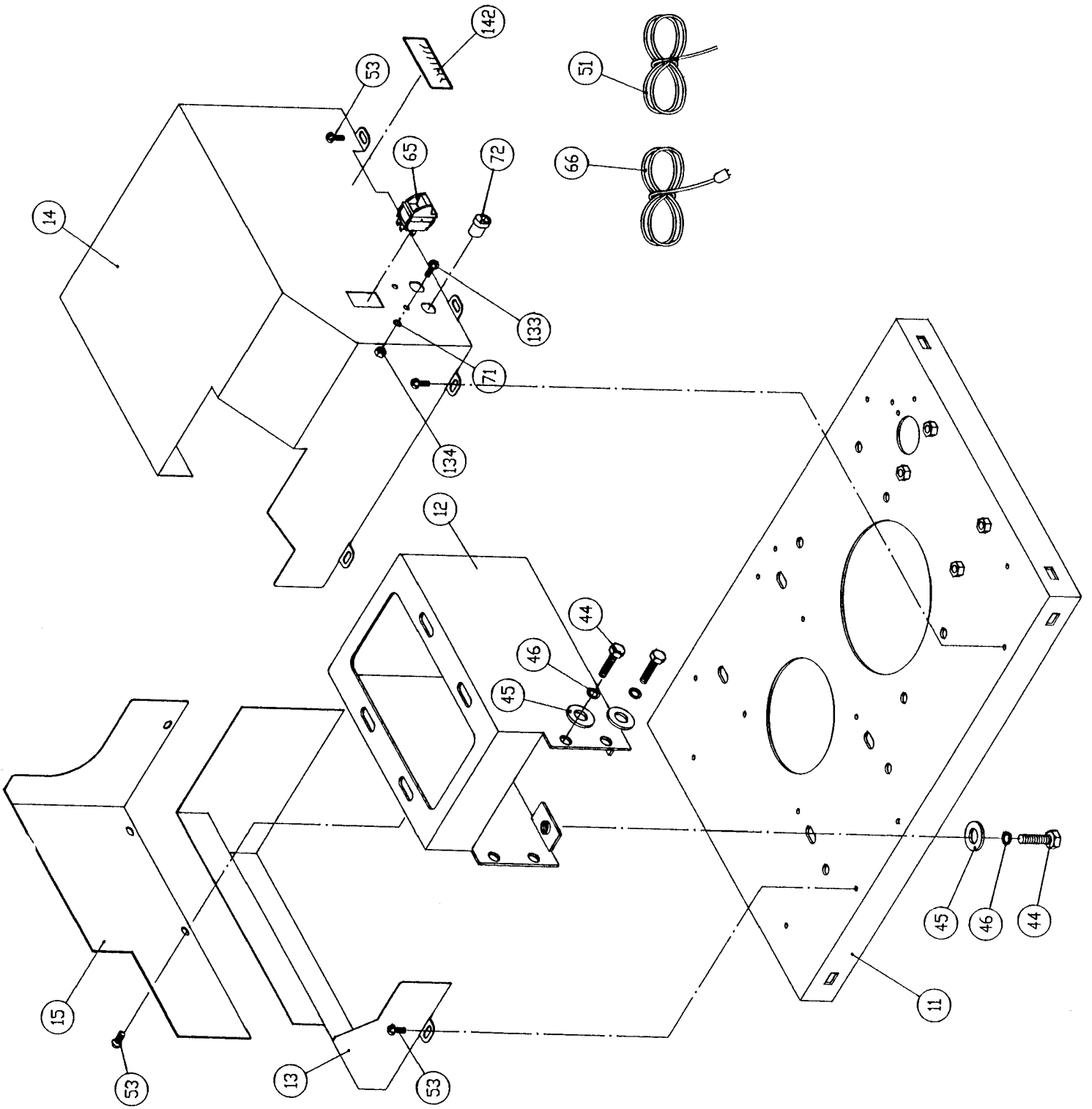
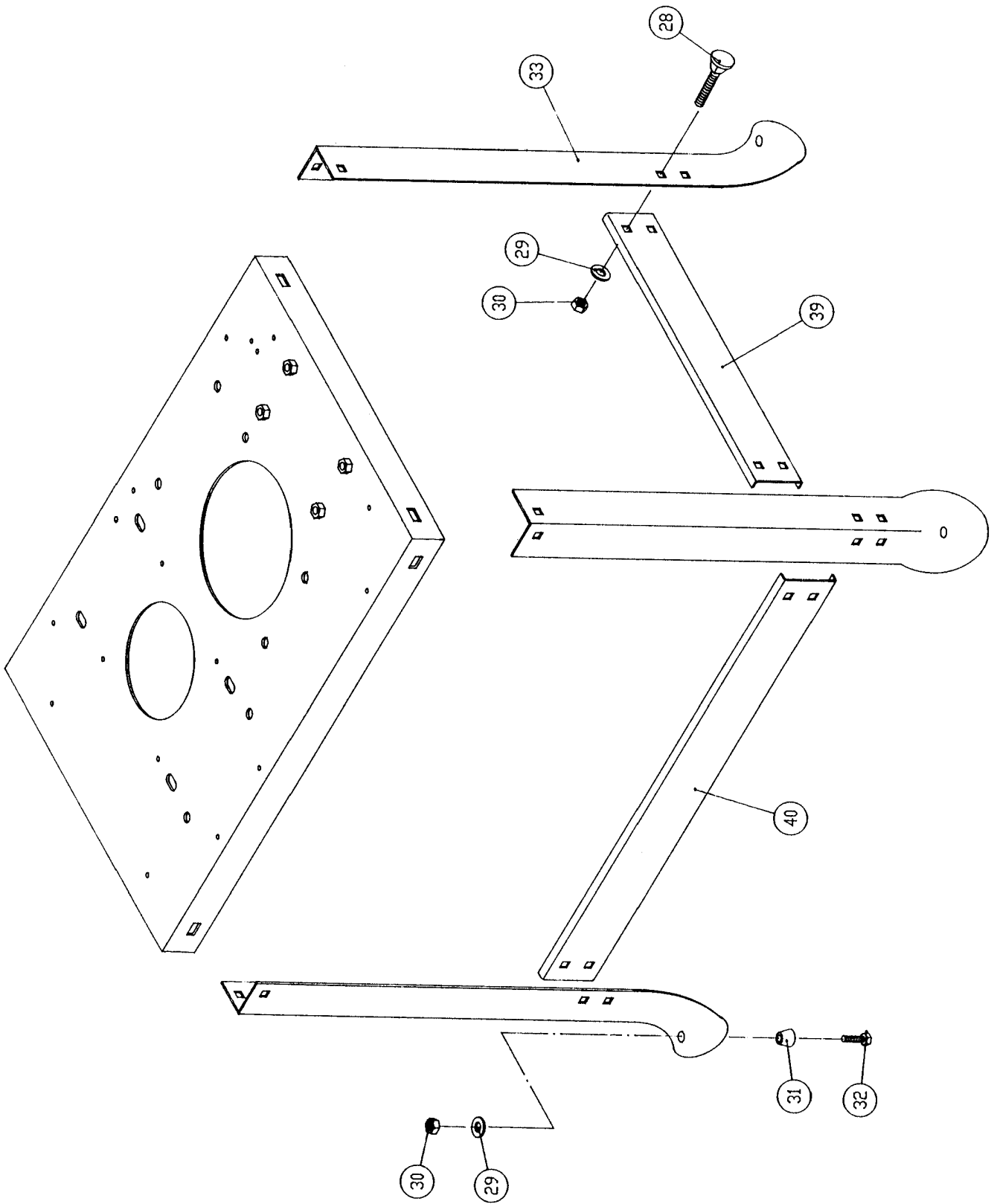


G5049Z Combination Sander







REF	PART #	DESCRIPTION
01	P5049001	MAIN BODY
02	P5049002	TRUNNION,LEFT
03	P5049003	TRUNNION,RIGHT
04	P5049004	DISC TABLE
05	P5049005	BRACKET HOUSING
06	P5049006	STOP BLOCK
07	P5049007	BELT TABLE
08	P5049008	CAST IRON DISC
09	P5049009	LOWER GUARD
10	P5049010	UPPER GUARD
11	P5049011	STAND, TOP
12	P5049012	MOUNTING BRACKET
13	P5049013	COVER, LOWER
14	P5049014	COVER
15	P5049015	COVER, UPPER
16	P5049016	BELT FRAME
17	P5049017	SPACER
18	P5049018	POINTER
19	P5049019	GIB
20	P5049020	KNOB
21	P5049021	WASHER
22	P5049022	MITER BODY
23	P5049023	SCREW
24	P5049024	POINTER
25	P5049025	MITER BODY
26	P5049026	12" SANDING DISC
27	SEE CAT	6" X 48" SANDING BELT
28	P5049028	CARRIAGE BOLT
29	P5049029	WASHER
30	P5049030	HEX NUT
31	P5049031	FOOT
32	P5049032	BOLT
33	P5049033	LEG
34	P5049034	DRIVE SHAFT
35	P5049035	SCALE

REF	PART #	DESCRIPTION
36	P5049036	SCALE
37	P5049037	STOP BAR
38	P5049038	SPACER
39	P5049039	BRACE, SHORT
40	P5049040	BRACE, LONG
41	P5049041	STEEL BLOCK
42	P5049042	CENTER PIN
43	P5049043	SPECIAL SETSCREW
44	P5049044	HEX BOLT
45	P5049045	FLAT WASHER
46	P5049046	LOCK WASHER
47	P5049047	CAP SCREW
48	P5049048	CAP SCREW
49	P5049049	ROLL PIN
50	P5049050	ROLL PIN
51	P5049051	MOTOR CORD
52	P5049052	KEY
53	P5049053	SCREW
54	P5049054	ROLL PIN
55	P5049055	FLAT HEAD SCREW
56	P5049056	SCREW
57	P5049057	HEX BOLT
58	P5049058	DIRECTION ARROW
59	P5049059	WASHER
60	P5049060	KNOB
61	P5049061	GUARD
62	P5049062	V-BELT
63	P5049063	KNOB
64	P5049064	KNOB
65	P5049065	ON / OFF SWITCH
66	P5049066	POWER CORD
67	P5049067	GRAPHITE PAD
68	P5049068	CAP SCREW
69	P5049069	HEX BOLT
70	P5049070	HEX NUT

REF	PART #	DESCRIPTION
71	P5049071	WASHER
72	P5049072	STRAIN RELIEF
73	P5049073	DUST COVER
74	P5049074	SNAP RING
75	P5049075	BEARING
76	P5049076	SNAP RING
77	P5049077	SPACER
78	P5049078	DRIVE DRUM
79	P5049079	SETSCREW
80	P5049080	BEARING
81	P5049081	SNAP RING
82	P5049082	IDLER DRUM
83	P5049083	IDLER SHAFT
84	P5049084	SLIDING BAR
85	P5049085	ROCKER PLATE
86	P5049086	LOCK WASHER
87	P5049087	CAP SCREW
88	P5049088	FENDER WASHER
89	P5049089	HEX BOLT
90	P5049090	HEX BOLT
91	P5049091	WASHER
92	P5049092	ECCENTRIC
93	P5049093	SPACER
94	P5049094	ROCKER ARM
95	P5049095	HEX NUT
96	P5049096	LEVER, SHORT
97	P5049097	LEVER, LONG
98	P5049098	KNOB
99	P5049099	JAM NUT
100	P5049100	KNOB
101	P5049101	PULLEY
102	P5049102	BRACKET
103	P5049103	BEARING BLOCK
104	P5049104	JACK SHAFT
105	P5049105	DRIVE DISC
106	P5049106	TIRE
107	P5049107	BLOCK

REF	PART #	DESCRIPTION
108	P5049108	CAP SCREW
109	P5049109	SPRING
110	P5049110	LOCK WASHER
111	P5049111	MOTOR
112	P5049112	MOUNTING BLOCK
113	P5049113	ARM
114	P5049114	THREADED SHAFT
115	P5049115	STUD
116	P5049116	BRACKET
117	P5049117	HEX BOLT
118	P5049118	WHEEL
119	P5049119	HUB, LEFT
120	P5049120	HUB, RIGHT
121	P5049121	SPECIAL NUT
122	P5049122	MOTOR BRACKET
123	P5049123	SCALE
124	P5049124	RIVET
125	P5049125	KEY
126	P5049126	SNAP RING
127	P5049127	HEX BOLT
128	P5049128	LOCK WASHER
129	P5049129	CAP SCREW
130	P5049130	KNOB
131	P5049131	SETSCREW
132	P5049132	SETSCREW
133	P5049133	SCREW
134	P5049134	HEX NUT
135	P5049135	ALLEN WRENCH
136	P5049136	CAP SCREW
137	P5049137	BEARING
138	P5049138	WASHER
139	P5049139	JAM NUT
142	P5049142	CHART
143	P5049143	POINTER
144	P5049144	SETSCREW
145	P5049145	WASHER