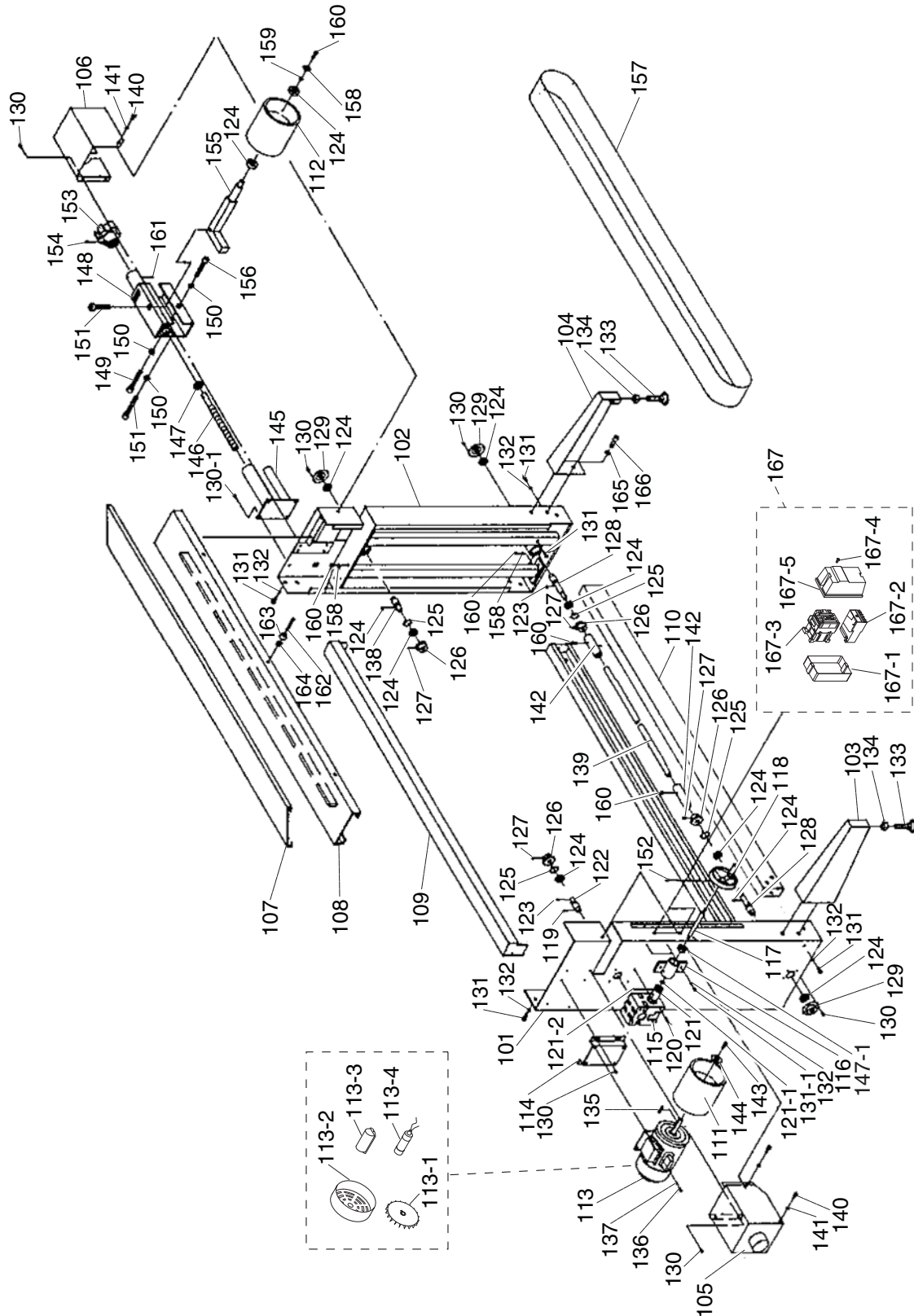


# SECTION 9: PARTS

## Main Breakdown



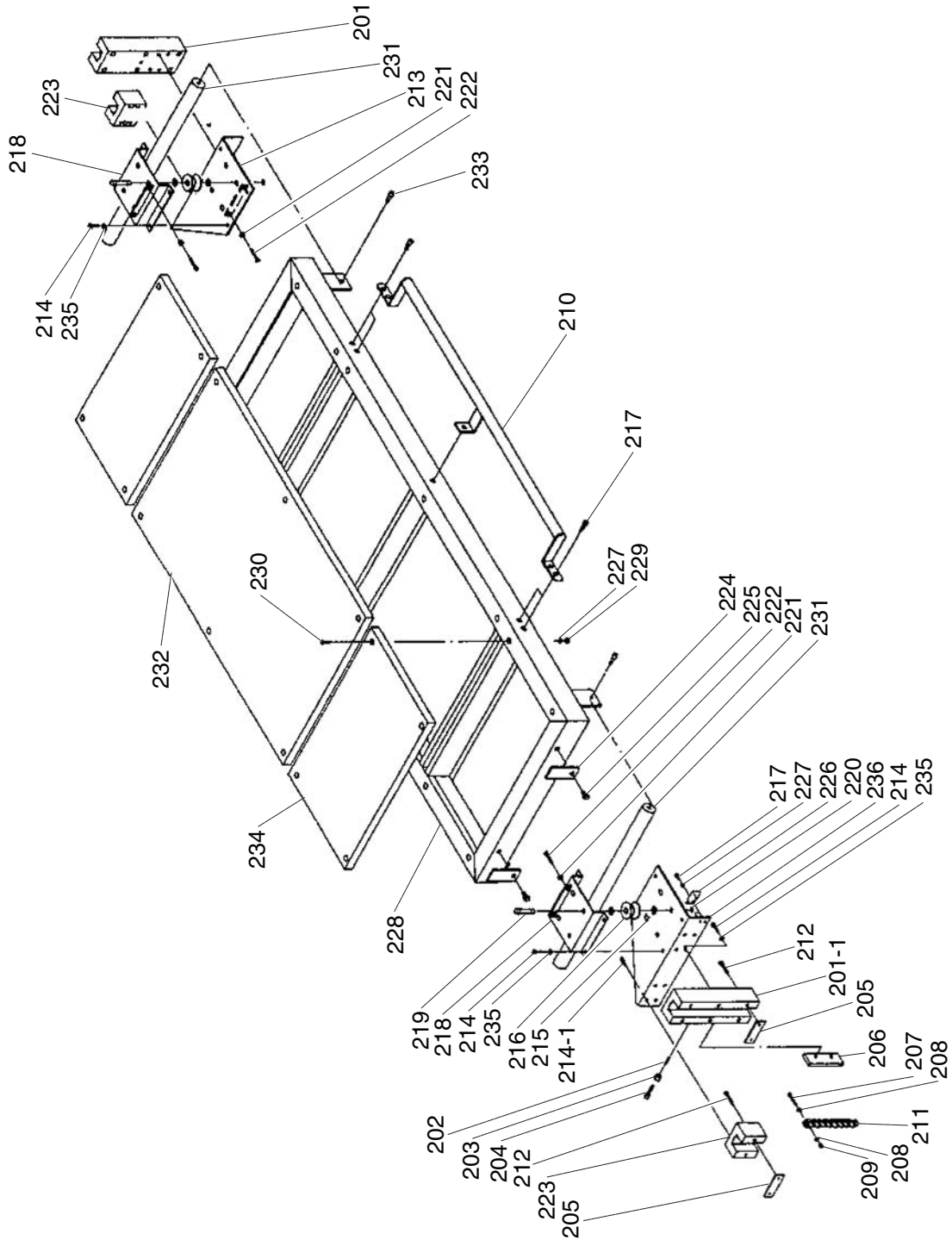
# Main Parts List

REF	PART #	DESCRIPTION
101	P5394101	LEFT FOOT
102	P5394102	RIGHT FOOT
103	P5394103	LEFT AUXILIARY FOOT
104	P5394104	RIGHT AUXILIARY FOOT
105	P5394105	LEFT PROTECTION COVER
106	P5394106	RIGHT PROTECTION COVER
107	P5394107	SANDER TABLE PROTECTION COVER
108	P5394108	SANDER TABLE
109	P5394109	TOP BEAM
110	P5394110	BOTTOM BEAM
111	P5394111	DRIVING WHEEL
112	P5394112	FOLLOWING WHEEL
113	P5394113	MOTOR 3HP 220V 1PH
113-1	P5394113-1	MOTOR FAN
113-2	P5394113-2	MOTOR FAN COVER
113-3	P5394113-3	CAPACITOR COVER
113-4	PC300F	S CAPACITOR 300M 125V 1-7/8 X 3-3/8
114	P5394114	MOTOR SEAT
115	P5394115	GEAR BOX
116	P5394116	SLEEVE BEARING MOUNT
117	P5394117	HAND WHEEL SPINDLE
118	P5394118	HANDWHEEL
119	P5394119	PIN
120	PSB148M	CAP SCREW M8-1.25 X 80
121	P5394121	UNIVERSAL JOINT
121-1	P5394121-1	FIXING RING OF UNIVERSAL JOINT
121-2	P5394121-2	FIXING PIN OF UNIVERSAL JOINT
122	P5394122	CHAIN WHEEL ADAPTER
123	PK157M	KEY 7 X 7 X 50
124	P6204	BALL BEARING 6204ZZ
125	PR09M	EXT RETAINING RING 20MM
126	P5394126	CHAIN WHEEL
127	PSS02	SET SCREW 5/16-18 X 3/8
128	P5394128	CHAIN WHEEL ADAPTER
129	P5394129	BALL BEARING MOUNT
130	PB09	HEX BOLT 5/16-18 X 1/2
130-1	PB03	HEX BOLT 5/16-18 X 1
131	PSB16	CAP SCREW 3/8-16 X 3/4
131-1	PSB14	CAP SCREW 3/8-16 X 1
132	PLN01	LOCK NUT 3/8-16
133	P5394133	FOOT CUSHION

REF	PART #	DESCRIPTION
134	PLN07	LOCK NUT 5/8-11
135	PK157M	KEY 7 X 7 X 50
136	PB03	HEX BOLT 5/16-18 X 1
137	PW07	FLAT WASHER 5/16
138	P5394138	CHAIN WHEEL ADAPTER
139	P5394139	CONNECTING ROD
140	P5394140	TRIANGULAR SCREW 1/4-20 X 1/2
141	PW06	FLAT WASHER 1/4
142	P5394142	SLEEVE COUPLING
143	P5394143	CAP SCREW M6-1 X 20 (LH)
144	PW03M	FLAT WASHER 6MM
145	P5394145	FOLLOWING WHEEL SUPPORT
146	P5394146	ADJUSTING SCREW 3/4-10
147	P5394147	SLEEVE BEARING 16 X 32 X 15.5
147-1	P5394147-1	SLEEVE BEARING 14 X 32 X 15.5
148	P5394148	ADJUSTING SUPPORT
149	P5394149	ADJUSTING SCREW 1/2-12 X 3
150	PLN06	LOCK NUT 1/2-13
151	P5394151	ADJUSTING SCREW 1/2-12 X 2
152	PSS02	SET SCREW 5/16-18 X 3/8
153	P5394153	HANDLE
154	PSS02	SET SCREW 5/16-18 X 3/8
155	P5394155	FOLLOWING WHEEL AXLE
156	P5394156	ADJUSTING SCREW 1/2-12 X 2
157	P5394157	SANDER BELT 6" X 186"
158	PLW01	LOCK WASHER 5/16
159	PW05M	FLAT WASHER 4MM
160	P5394160	CAP SCREW M6-1 X 20 (LH)
161	PSS07	SET SCREW 1/4-20 X 1/2
162	PB31	HEX BOLT 1/4-20 X 1
163	P5394163	PLASTIC CUSHION
164	PN05	HEX NUT 1/4"-20
165	PW01	FLAT WASHER 1/2
166	PSB72	CAP SCREW 1/2-13 X 1
167	P5394167	MAGNETIC SWITCH ASSEMBLY
167-1	P5394167-1	SWITCH CASE
167-2	P5394167-2	OL RELAY SDE RA-20
167-3	P5394167-3	CONTACTOR SDE MA-18
167-4	P5394167-4	PLASTIC COVER SCREW
167-5	P5394167-5	SWITCH COVER



# Table Assembly Breakdown



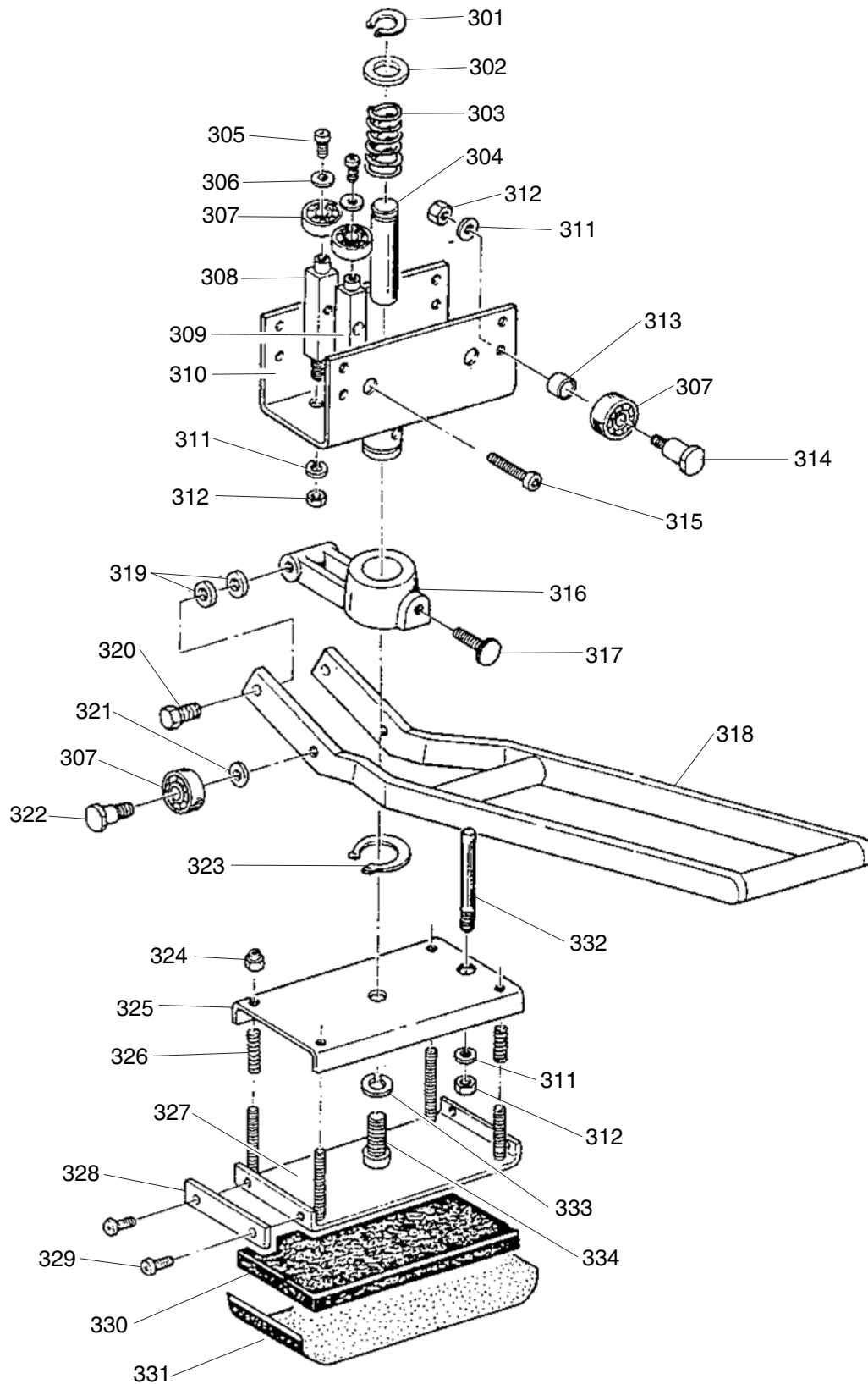
# Table Assembly Parts List

REF	PART #	DESCRIPTION
201	P5394201	TABLE BRACKET RIGHT
201-1	P5394201-1	TABLE BRACKET LEFT
202	P5394202	COPPER BAR 5/16" X 10MM
203	PN08	HEX NUT 3/8"-16
204	PB18	HEX BOLT 3/8-16 X 1
205	P5394205	PLATE
206	P5394206	KEY WHEEL FIXING PLATE
207	P5394207	SET SCREW 8-32 X 1
208	P5394208	LOCK WASHER #8
209	PN14	HEX NUT #8-32
210	P5394210	GRIP
211	P5394211	CHAIN
212	PSB70	CAP SCREW 5/16-18 X 2
213	P5394213	TABLE BASE RIGHT
214	PB07	HEX BOLT 5/16-18 X 3/4
214-1	PSB03	CAP SCREW 5/16-18 X 1
215	PW07	FLAT WASHER 5/16
216	P5394216	GUIDE ROLLER
217	PB51	HEX BOLT 1/4-20 X 3/8

REF	PART #	DESCRIPTION
218	P5394218	GUIDE ROLLER SEAT
219	P5394219	ARBOR
220	PR03M	EXT RETAINING RING 12MM
221	PN02	HEX NUT 5/16"-18
222	PB06	HEX BOLT 5/16-18 X 2
223	P5394223	AUXILIARY SLIDE
224	P5394224	FLAPPER
225	PB21	HEX BOLT 3/8-16 X 3/4
226	P5394226	SCALE POINTER
227	PW06	FLAT WASHER 1/4
228	P5394228	WORKTABLE
229	PN05	HEX NUT 1/4"-20
230	PFH16	FLAT HD SCR 1/4-20 X 1 1/4
231	P5394231	GUIDE BAR
232	P5394232	SYNTHETIC PLATE (LARGE)
233	PSB16	CAP SCREW 3/8-16 X 3/4
234	P5394234	SYNTHETIC PLATE (SMALL)
235	PLW01	LOCK WASHER 5/16
236	P5394236	TABLE BASE LEFT



# Platen Press Breakdown



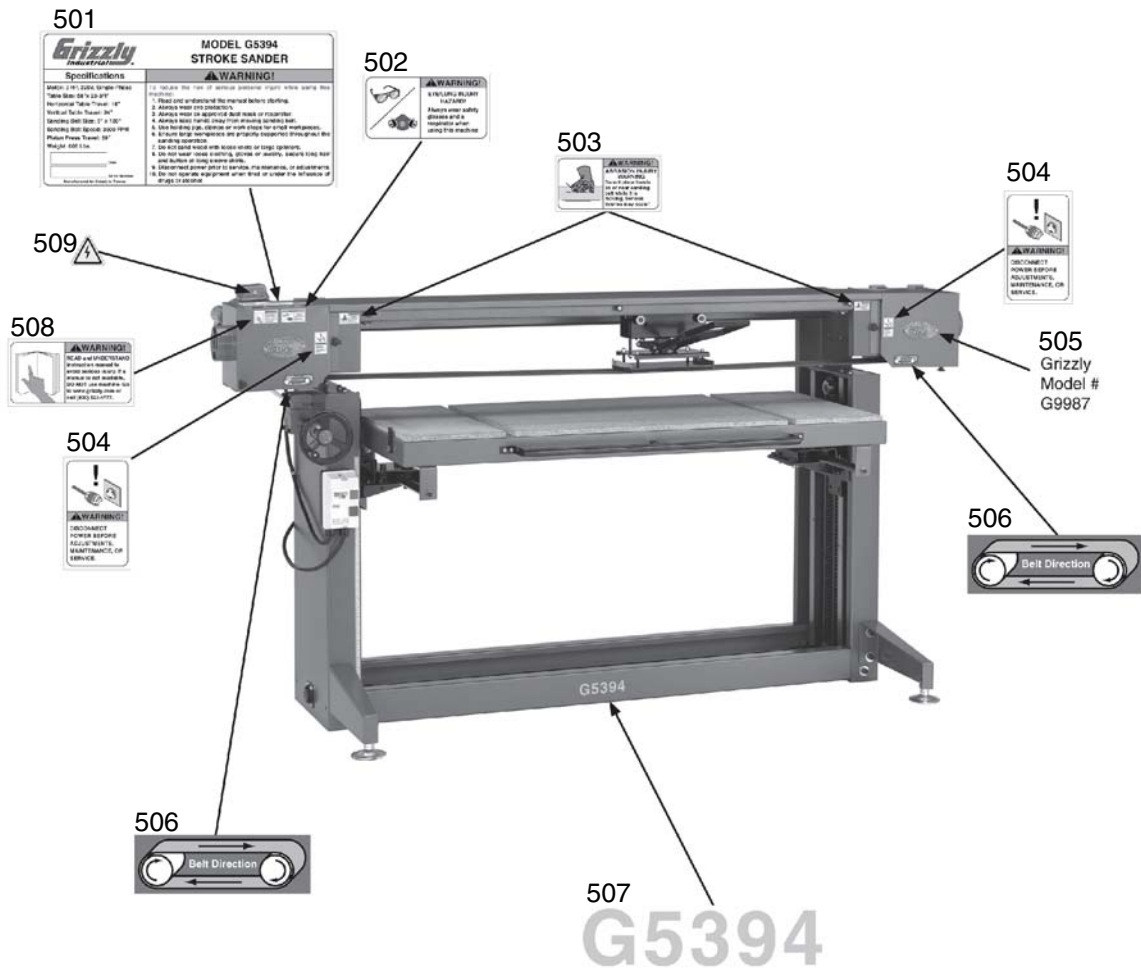
# Platen Press Parts List

REF	PART #	DESCRIPTION
301	PR11M	EXT RETAINING RING 25MM
302	PW19M	FLAT WASHER 25MM
303	P5394303	MIDDLE POST SPRING 3.2 X 35 X 82
304	P5394304	MIDDLE POST
305	PB51	HEX BOLT 1/4-20 X 3/8
306	PW06	FLAT WASHER 1/4
307	P6001	BALL BEARING 6001ZZ
308	P5394308	BACK BEARING PILLAR
309	P5394309	FRONT BEARING PILLAR
310	P5394310	UPPER PRESSING PLATE
311	PLW04	LOCK WASHER 3/8
312	PN08	HEX NUT 3/8"-16
313	P5394313	DISTANCE SLEEVE
314	P5394314	BEARING SHAFT
315	PSB159M	CAP SCREW 1/4-20 X 2
316	P5394316	PRESSING PLATE STAND
317	P5394317	OFFSET SCREW 5/16-18 X 3/4

REF	PART #	DESCRIPTION
318	P5394318	PRESSING PLATE HANDLE
319	P5394319	PLASTIC WASHER 8MM
320	PB07	HEX BOLT 5/16-18 X 3/4
321	PW02	FLAT WASHER 3/8
322	P5394322	BEARING SHAFT
323	PR31M	EXT RETAINING RING 38MM
324	PLN02	LOCK NUT 1/4-20
325	P5394325	MIDDLE PRESSING PLATE SEAT
326	P5394326	SPRING 1.3 X 9.6 X 42
327	P5394327	LOWER PRESSING PLATE SEAT
328	P5394328	FIXING PLATE
329	P5394329	FLANGE SCREW 10-24 X 3/8
330	P5394330	PAD
331	P5394331	GRAPHITE PAD
332	P5394332	GUIDE POST
333	PLW07	LOCK WASHER 1/2
334	P5394334	CAP SCREW 1/2-13 X 3/4



# Labels Breakdown & Parts List



REF	PART #	DESCRIPTION
501	P5394501	MACHINE ID LABEL
502	PLABEL-57C	GLASSES/RESPIRATOR LABEL
503	P5394503	HAND ABRASION WARNING
504	PLABEL-63C	DISCONNECT WARNING
505	G9987	GRIZZLY NAMEPLATE

REF	PART #	DESCRIPTION
506	PLABEL-61C	BELT DIRECTION LABEL
507	P5394507	MODEL NUMBER LABEL
508	PLABEL-12D	READ MANUAL LABEL
509	PLABEL-14A	ELECTRICITY LABEL 0.7"

## WARNING

Safety labels warn about machine hazards and ways to prevent injury. The owner of this machine **MUST** maintain the original location and readability of the labels on the machine. If any label is removed or becomes unreadable, **REPLACE** that label before using the machine again. Contact Grizzly at (800) 523-4777 or [www.grizzly.com](http://www.grizzly.com) to order new labels.

