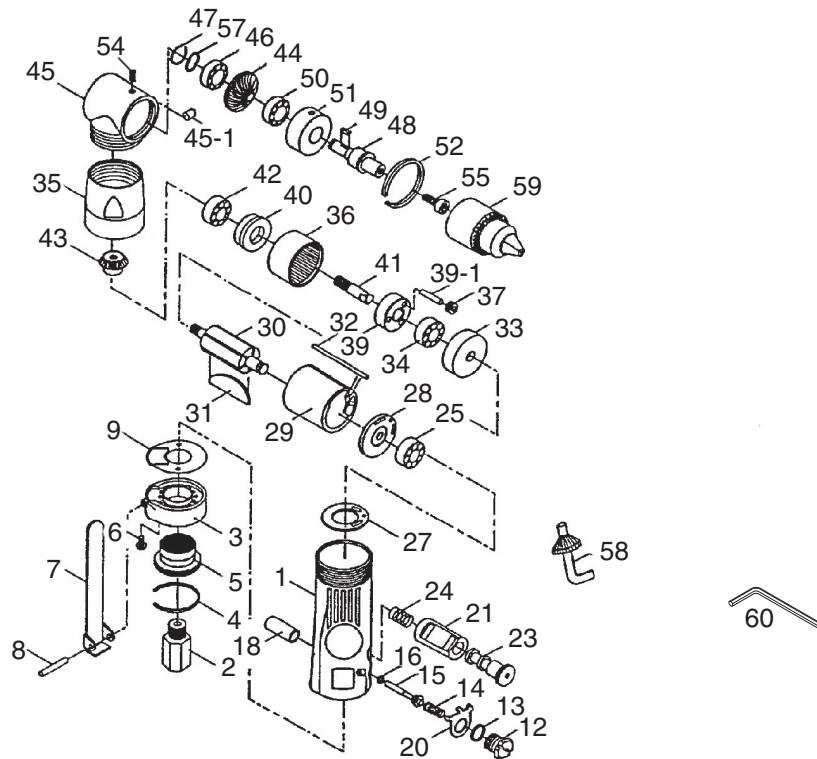


G5783 Parts Breakdown and List



| REF | PART # | DESCRIPTION |
|-----|----------|------------------|
| 1 | P5783001 | MOTOR HOUSING |
| 2 | P5783002 | AIR INLET |
| 3 | P5783003 | DEFLECTOR |
| 4 | P5783004 | STOP RING |
| 5 | P5783005 | HOUSING CAP |
| 6 | P5783006 | SCREW |
| 7 | P5783007 | LEVER |
| 8 | P5783008 | SPRING PIN |
| 9 | P5783009 | GASKET |
| 12 | P5783012 | VALVE SCREW |
| 13 | P5783013 | O-RING |
| 14 | P5783014 | VALVE BUSHING |
| 15 | P5783015 | THROTTLE VALVE |
| 16 | P5783016 | O-RING |
| 18 | P5783018 | VALVE BUSHING |
| 20 | P5783020 | REVERSE RETAINER |
| 21 | P5783021 | REVERSE BUSHING |
| 23 | P5783023 | REVERSE VALVE |
| 24 | P5783024 | REVERSE SPRING |
| 25 | P5783025 | BALL BEARING |
| 27 | P5783027 | GASKET |
| 28 | P5783028 | REAR END PLATE |
| 29 | P5783029 | CYLINDER |
| 30 | P5783030 | ROTOR |
| 31 | P5783031 | ROTOR BLADE |
| 32 | P5783032 | MOTOR PIN |
| 33 | P5783033 | FRONT END PLATE |

| REF | PART # | DESCRIPTION |
|------|------------|-----------------|
| 34 | P5783034 | BALL BEARING |
| 35 | P5783035 | LOCK RING |
| 36 | P5783036 | INTERNAL GEAR |
| 37 | P5783037 | PLANET GEAR |
| 39 | P5783039 | CAGE |
| 39-1 | P5783039-1 | PIN |
| 40 | P5783040 | SPACER |
| 41 | P5783041 | GEAR SPINDLE |
| 42 | P5783042 | BALL BEARING |
| 43 | P5783043 | PINION |
| 44 | P5783044 | GEAR |
| 45 | P5783045 | ANGLE HOUSING |
| 45-1 | P5783045-1 | BALL CAP |
| 46 | P5783046 | BALL BEARING |
| 47 | P5783047 | RETAINER RING |
| 48 | P5783048 | SPINDLE |
| 49 | P5783049 | KEY |
| 50 | P5783050 | BALL BEARING |
| 51 | P5783051 | BEARING CASE |
| 52 | P5783052 | RETAINER RING |
| 54 | P5783054 | SET SCREW |
| 55 | P5783055 | SCREW |
| 56 | P5783056 | CHUCK KEY |
| 57 | P5783057 | WAVE WASHER |
| 58 | P5783058 | CHUCK KEY |
| 59 | P5783059 | 3/8 DRILL CHUCK |
| 60 | PAW03M | HEX WRENCH 3MM |