

Grizzly[®]

Industrial, Inc.

16 GAUGE STAPLER KIT

MODEL G6044/G6772

PARTS LIST



Model G6772 shown here

COPYRIGHT © MAY, 2002 BY GRIZZLY INDUSTRIAL, INC.

1821 VALENCIA ST., BELLINGHAM, WA 98227

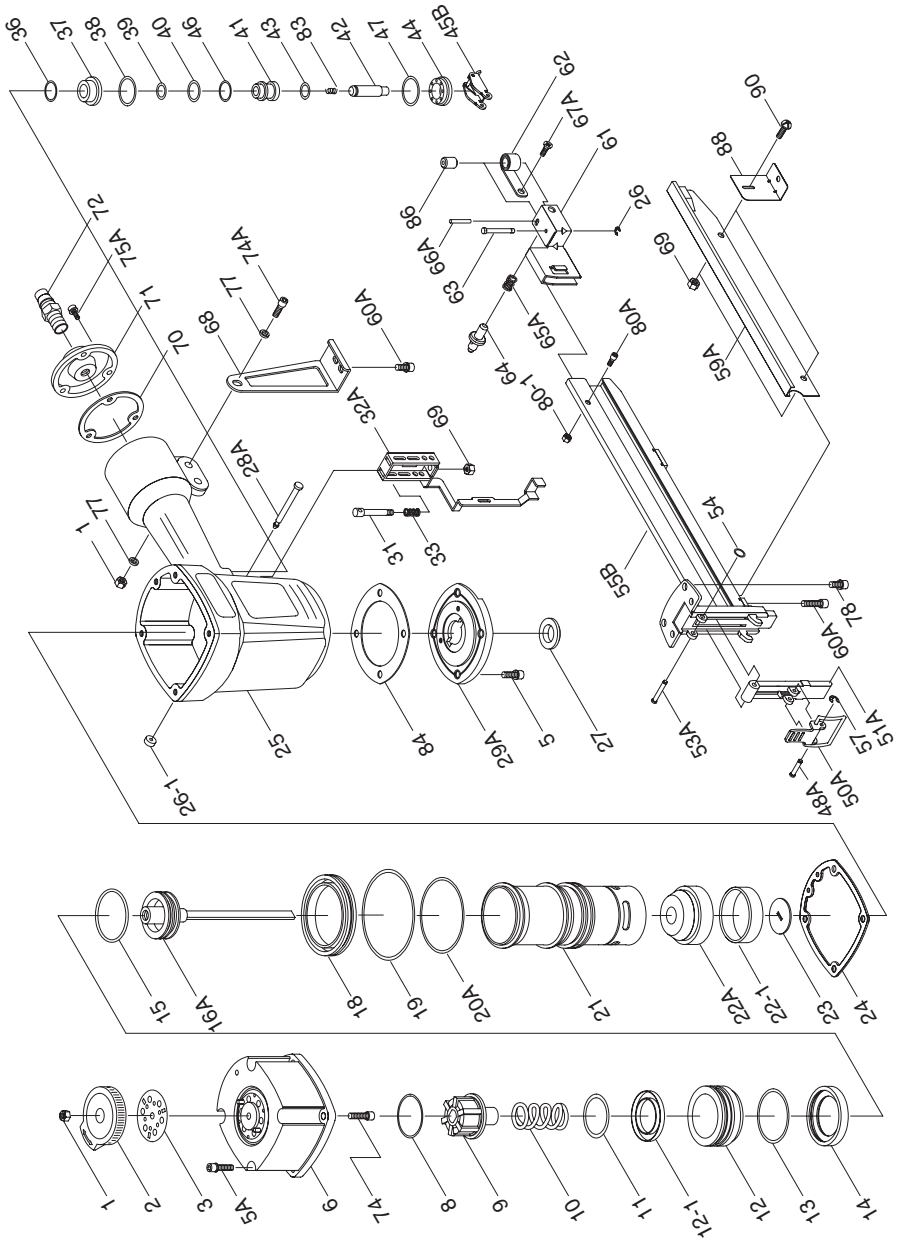
WARNING: NO PORTION OF THIS MANUAL MAY BE REPRODUCED IN ANY SHAPE OR FORM WITHOUT THE WRITTEN APPROVAL OF GRIZZLY INDUSTRIAL, INC.

PRINTED IN TAIWAN

PARTS LIST DISCLAIMER

THIS PARTS LIST AND DRAWINGS REPRESENT THE CONFIGURATION OF THE MACHINE AS IT IS CURRENTLY BEING SHIPPED. THE MACHINE CONFIGURATION CAN CHANGE AS PRODUCT IMPROVEMENTS ARE INCORPORATED. IF YOU OWN AN EARLIER VERSION OF THE MACHINE, THIS PARTS LIST MAY NOT DEPICT YOUR MACHINE EXACTLY. CONTACT CUSTOMER SERVICE IF YOU HAVE ANY QUESTIONS ABOUT PART DIFFERENCES. PREVIOUS PARTS LIST VERSIONS ARE NOT AVAILABLE ONLINE.

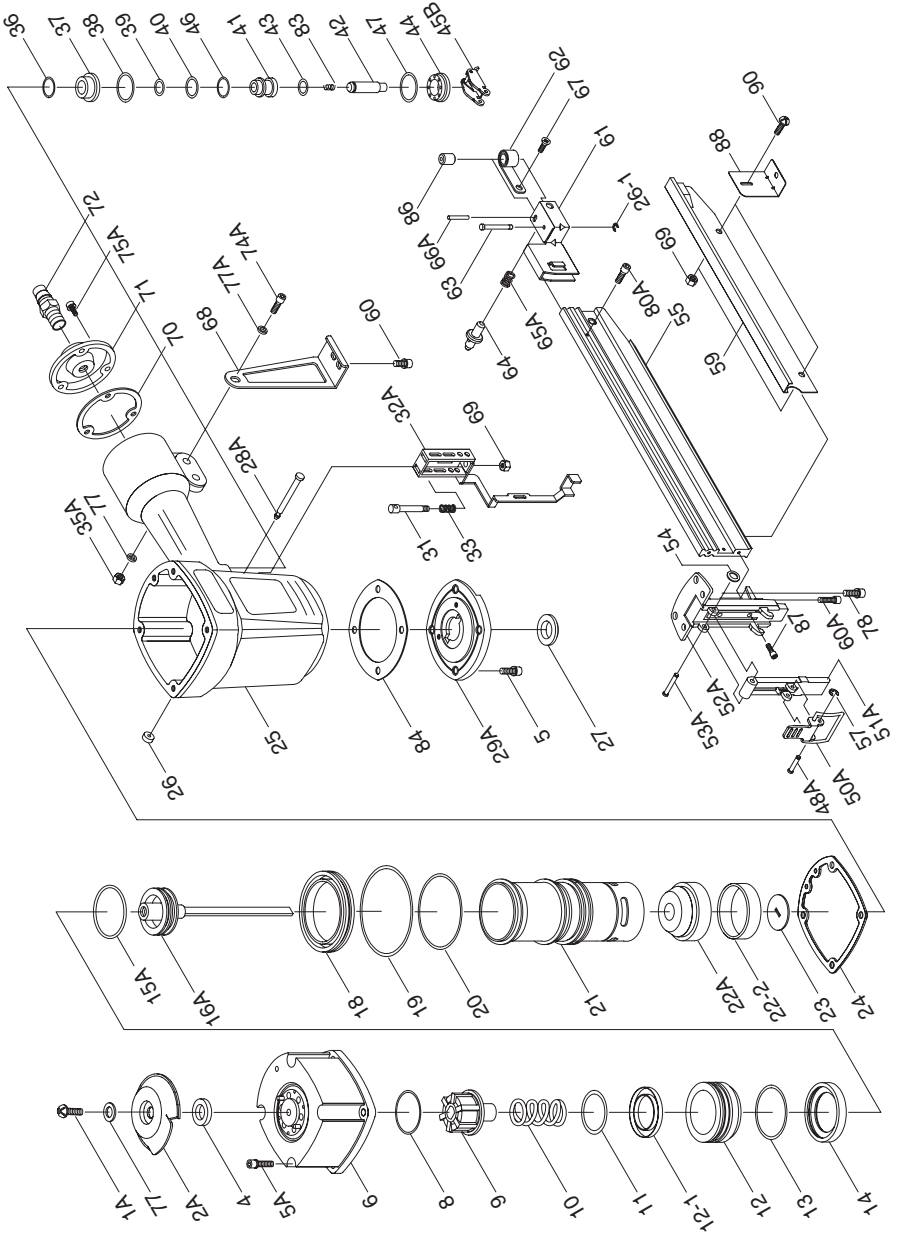
G6044 PART BREAKDOWN



REF	PART #	DESCRIPTION
01	P6044001	LOCK NUT
02	P6044002	EXHAUST COVER
03	P6044003	SPRING PLATE
05A	P6044005A	CAP SCREW
06	P6044006	CAP
08	P6044008	SPACER
09	P6044009	PISTON STOPPER
10	P6044010	SPRING
11	P6044011	O-RING
12	P6044012	PISTON HEAD VALVE
12-1	P6044012-1	SPACER
13	P6044013	O-RING
14	P6044014	SEAL
15	P6044015	O-RING
16A	P6044016A	PISTON ASSEMBLY
18	P6044018	CYLINDER SPACER
19	P6044019	O-RING
20A	P6044020A	O-RING
21	P6044021	CYLINDER
22A	P6044022A	BUMPER
22-1	P6044022-1	COLLAR
23	P6044023	WASHER
24	P6044024	GASKET
25	P6044025	BODY
26	P6044026	E RING
26-1	P6044026	PU RING
27	P6044027	SET BLOCK
28A	P6044028A	STEPPED PIN
29A	P6044029A	BOTTOM
31	P6044031	SPRING GUIDE
32A	P6044032A	SAFETY LEVER
33	P6044033	SPRING
36	P6044036	O-RING
37	P6044037	VALVE
38	P6044038	O-RING
39	P6044039	O-RING
40	P6044040	O-RING
41	P6044041	VALVE PLUNGER

REF	PART #	DESCRIPTION
42	P6044042	PLUNGER
43	P6044043	O-RING
44	P6044044	PLUNGER CAP
45B	P6044045B	TRIGGER ASSEMBLY
46	P6044046	O-RING
47	P6044047	O-RING
48A	P6044048A	STEPPED PIN
50A	P6044050A	LATCH
51A	P6044051A	GUIDE COVER
53A	P6044053A	STEPPED PIN
54	P6044054	O-RING
55B	P6044055B	GUIDE UNIT ASSY
57	P6044057	E RING
59A	P6044059A	COVER
60A	P6044060A	CAP SCREW
61	P6044061	PUSHER
62	P6044062	SPRING
63	P6044063	SHAFT
64	P6044064	STOPPER
65A	P6044065A	SPRING
66A	P6044066A	ROLLED PIN
67A	P6044067A	FLAT HD SCREW
68	P6044068	BRACKET
69	P6044069	LOCK NUT
70	P6044070	GASKET
71	P6044071	REAR COVER
72	P6044072	AIR PLUG
74A	P6044074A	CAP SCREW
75A	P6044075A	CAP SCREW
77	P6044077	FLAT WASHER
78	P6044078	CAP SCREW
80A	P6044080A	CAP SCREW
80-1	P6044080-1	LOCK NUT
83	P6044083	SPRING
84	P6044084	GASKET
86	P6044086	ROLLER
88	P6044088	COVER SUPPORT
90	P6044090	BUTTON HD CAP SCR

G6772 PART BREAKDOWN



REF	PART #	DESCRIPTION
01A	P6772001A	BUTTON HD CAP SCR
02A	P6772002A	EXHAUST COVER
04	P6772004	PU WASHER
05A	P6044005A	CAP SCREW + SW
06	P6772006	CAP
08	P6772008	SPACER
09	P6772009	PISTON STOPPER
10	P6772010	SPRING
11	P6772011	O-RING
12	P6772012	PISTON HEAD VALVE
12-1	P6044012-1	SPACER
13	P6772013	O-RING
14	P6772014	SEAL
15A	P6044015	O-RING
16A	P6772016A	PISTON ASSEMBLY
18	P6772018	CYLINDER SPACER
19	P6772019	O-RING
20	P6772020	O-RING
21	P6772021	CYLINDER
22A	P6044022A	BUMPER
22-2	P6044022-1	COLLAR
23	P6772023	WASHER
24	P6772024	GASKET
25	P6772025	BODY
26	P6772026	PU RING
26-1	P6772026-1	E RING
27	P6772027	SET BLOCK
28A	P6044028A	STEPPED PIN
29A	P6044029A	BOTTOM
31	P6772031	SPRING GUIDE
32A	P6044032A	SAFETY LEVER
33	P6772033	SPRING
35A	P6772035A	LOCK NUT
36	P6772036	O-RING
37	P6772037	VALVE
38	P6772038	O-RING
39	P6772039	O-RING
40	P6772040	O-RING
41	P6772041	VALVE PLUNGER

REF	PART #	DESCRIPTION
42	P6772042	PLUNGER
43	P6772043	O-RING
44	P6772044	PLUNGER CAP
45B	P6772045B	TRIGGER ASSEMBLY
46	P6044046	O-RING
47	P6044047	O-RING
48A	P6044048A	STEPPED PIN
50A	P6772050A	LATCH
51A	P6772051A	GUIDE COVER
52A	P6772052A	NOSE
53A	P6772053A	STEPPED PIN
54	P6044054	O-RING
55	P6772055	GUIDE UNIT ASSY
57	P6044057	E RING
59	P6772059	COVER
60A	P6044060A	CAP SCREW
61	P6772061	PUSHER
62	P6772062	SPRING
63	P6772063	SHAFT
64	P6772064	STOPPER
65A	P6044065A	SPRING
66A	P6044066A	ROLLED PIN
67	P6772067	FLAT HD SCREW
68	P6772068	BRACKET
69	P6772069	LOCK NUT
70	P6772070	GASKET
71	P6772071	REAR COVER
72	P6772072	AIR PLUG
74A	P6044074A	CAP SCREW
75A	P6044075A	CAP SCREW
77A	P6044077	FLAT WASHER
78	P6772078	CAP SCREW
80A	P6044080A	CAP SCREW
83	P6772083	SPRING
84	P6772084	GASKET
86	P6772086	ROLLER
87	P6772087	CAP SCREW
88	P6044088	COVER SUPPORT
90	P6044090	BUTTON HD CAP SCR