

Grizzly Industrial, Inc.®

15/16 GAUGE NAILER

MODEL G6048

PARTS LIST



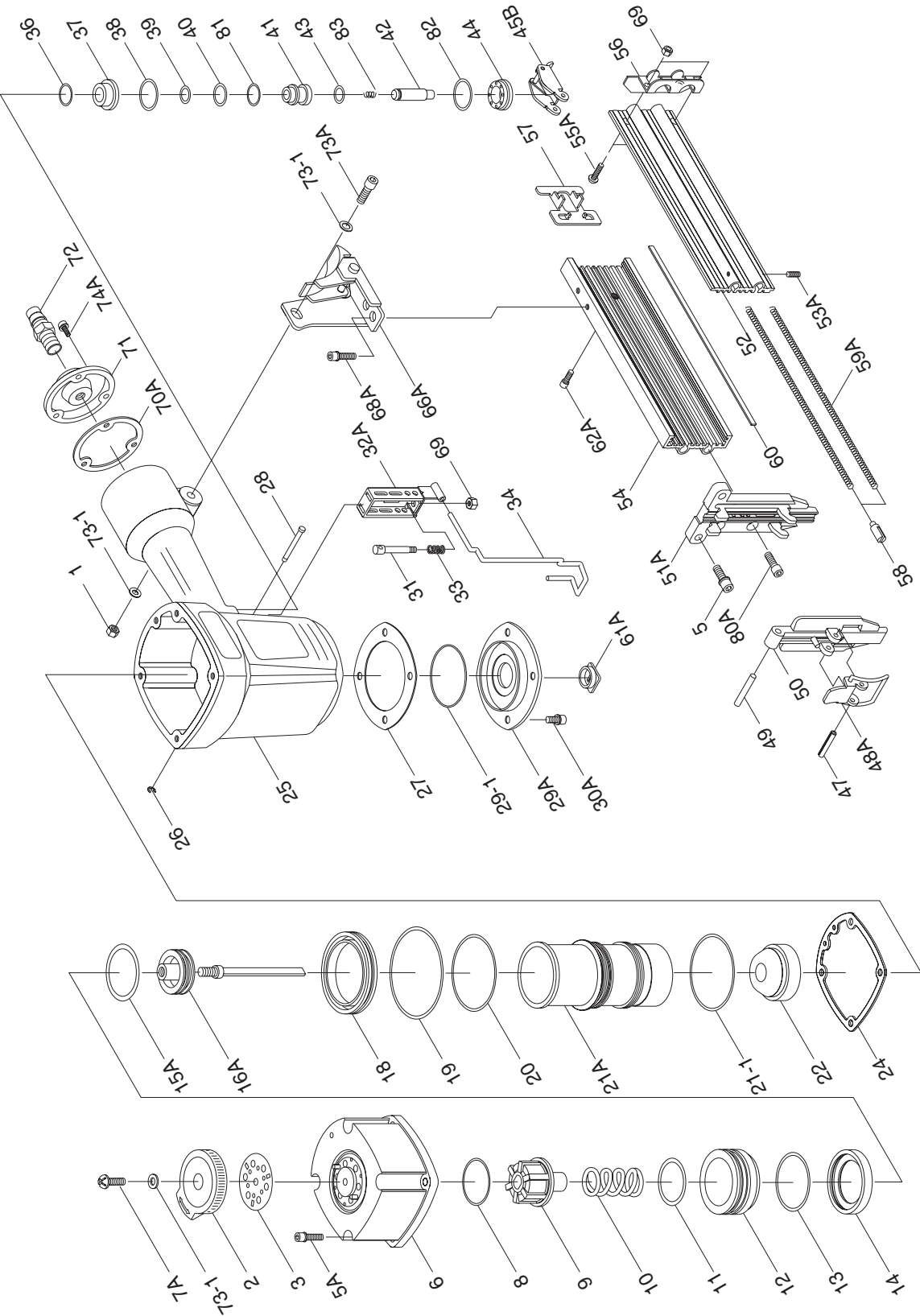
COPYRIGHT © MAY, 2002 BY GRIZZLY INDUSTRIAL, INC.
1821 VALENCIA ST., BELLINGHAM, WA 98227

**WARNING: NO PORTION OF THIS MANUAL MAY BE REPRODUCED IN ANY SHAPE
OR FORM WITHOUT THE WRITTEN APPROVAL OF GRIZZLY INDUSTRIAL, INC.**
PRINTED IN TAIWAN

ONLINE PARTS LIST DISCLAIMER

THESE PARTS REPRESENT THE CONFIGURATION OF THE MACHINE AS IT IS CURRENTLY BEING SHIPPED. THE MACHINE CONFIGURATION CAN CHANGE AS PRODUCT IMPROVEMENTS ARE INCORPORATED. IF YOU OWN AN EARLIER VERSION OF THE MACHINE, THIS PARTS LIST MAY NOT EXACTLY DEPICT YOUR MACHINE. CONTACT CUSTOMER SERVICE IF YOU HAVE ANY QUESTIONS ABOUT PART DIFFERENCES. PREVIOUS PARTS LIST VERSIONS ARE NOT AVAILABLE ONLINE.

G6048 PART BREAKDOWN



REF	PART #	DESCRIPTION
01	P6048001	LOCK NUT
02	P6048002	EXHAUST COVER
03	P6048003	SPRING PLATE
05A	P6048005A	CAP SCREW + SW
06	P6048006	CAP
07A	P6048007A	BUTTON HD CAP SCR
08	P6048008	SPACER
09	P6048009	PISTON STOPPER
10	P6048010	SPRING
11	P6048011	O-RING
12	P6048012	PISTON HEAD VALVE
13	P6048013	O-RING
14	P6048014	SEAL
15A	P6048015A	O-RING
16A	P6048016A	PISTON ASSEMBLY
18	P6048018	CYLINDER SPACER
19	P6048019	O-RING
20	P6048020	O-RING
21A	P6048021A	CYLINDER
21-1	P6048021-1	O-RING
22	P6048022	BUMPER
24	P6048024	GASKET
25	P6048025	BODY
26	P6048026	E RING
27	P6048027	GASKET
28	P6048028	STEPPED PIN
29A	P6048029A	BOTTOM
29-1	P6048029-1	O-RING
30A	P6044005A	CAP SCREW
31	P6048031	SPRING GUIDE
32A	P6048032A	SAFETY LEVER
33	P6048033	SPRING
34	P6048034	SAFETY LEVER
36	P6048036	O-RING
37	P6048037	VALVE
38	P6048038	O-RING

REF	PART #	DESCRIPTION
39	P6048039	O-RING
40	P6048040	O-RING
41	P6048041	VALVE PLUNGER
42	P6048042	PLUNGER
43	P6048043	O-RING
44	P6048044	PLUNGER CAP
45B	P6048045B	TRIGGER ASSEMBLY
47	P6048047	ROLLED PIN
48A	P6048048A	LATCH
49	P6048049	BALL PIN
50	P6048050	GUIDE COVER
51A	P6048051A	NOSE
52	P6048052	MAGAZINE COVER
53A	P6048053A	SETSCREW
54	P6048054	MAGAZINE
55A	P6048055A	BUTTON HD CAP SCR
56	P6048056	TAIL COVER
57	P6048057	PUSHER
58	P6048058	SLIDE BLOCK
59A	P6048059A	SPRING
60	P6048060	NAIL GUIDE LINER
61A	P6048061A	JOINT GUIDE
62	P6048078	CAP SCREW
66A	P6048066A	BRACKET ASSEMBLY
68A	P6048068A	CAP SCREW
69	P6048069	LOCK NUT
70A	P6048070A	GASKET
71	P6048071	REAR COVER
72	P6048072	AIR PLUG
73A	P6048073A	CAP SCREW
73-1	P6048073-1	FLAT WASHER
74A	P6044075A	CAP SCREW
80A	P6048080A	CAP SCREW
81	P6048081	O-RING
82	P6048082	O-RING
83	P6048083	SPRING