

Grizzly Industrial, Inc.®

14/15 GAUGE ANGLE FINISH NAILER KIT MODEL G6049 PARTS LIST



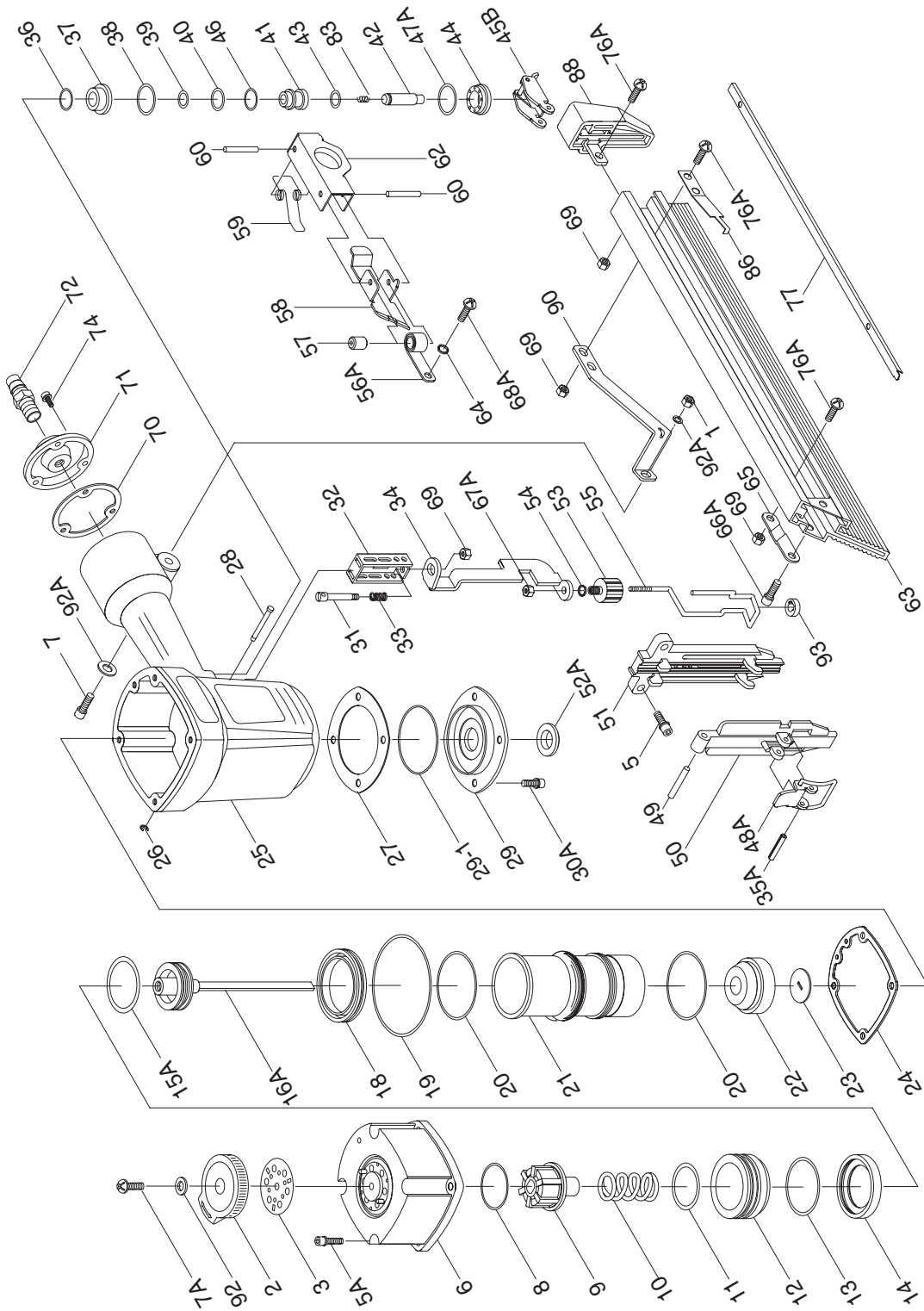
COPYRIGHT © MAY, 2002 BY GRIZZLY INDUSTRIAL, INC.
1821 VALENCIA ST., BELLINGHAM, WA 98227

**WARNING: NO PORTION OF THIS MANUAL MAY BE REPRODUCED IN ANY SHAPE
OR FORM WITHOUT THE WRITTEN APPROVAL OF GRIZZLY INDUSTRIAL, INC.**
PRINTED IN TAIWAN

ONLINE PARTS LIST DISCLAIMER

THESE PARTS REPRESENT THE CONFIGURATION OF THE MACHINE AS IT IS CURRENTLY BEING SHIPPED. THE MACHINE CONFIGURATION CAN CHANGE AS PRODUCT IMPROVEMENTS ARE INCORPORATED. IF YOU OWN AN EARLIER VERSION OF THE MACHINE, THIS PARTS LIST MAY NOT EXACTLY DEPICT YOUR MACHINE. CONTACT CUSTOMER SERVICE IF YOU HAVE ANY QUESTIONS ABOUT PART DIFFERENCES. PREVIOUS PARTS LIST VERSIONS ARE NOT AVAILABLE ONLINE.

G6049 PART BREAKDOWN



REF	PART #	DESCRIPTION
01	P6049001	LOCK NUT
02	P6049002	EXHAUST COVER
03	P6049003	SPRING PLATE
05A	P6048005A	CAP SCREW SW
06	P6049006	CAP
07A	P6048007A	BUTTON HD CAP SCR
08	P6049008	SPACER
09	P6049009	PISTON STOPPER
10	P6049010	SPRING
11	P6049011	O-RING
12	P6049012	PISTON HEAD VALVE
13	P6049013	O-RING
14	P6049014	SEAL
15A	P6048015A	O-RING
16A	P6049016A	PISTON ASSEMBLY
18	P6049018	CYLINDER SPACER
19	P6049019	O-RING
20	P6049020	O-RING
21	P6049021	CYLINDER
22	P6049022	BUMPER
23	P6049023	WASHER
24	P6049024	GASKET
25	P6049025	BODY
26	P6049026	E RING
27	P6049027	GASKET
28	P6049028	STEPPED PIN
29	P6049029	BOTTOM
29-1	P6048029-1	O-RING
30A	P6048030A	CAP SCREW
31	P6049031	SPRING GUIDE
32A	P6049032A	SAFETY LEVER
33	P6049033	SPRING
34	P6049034	SAFETY LEVER
35A	P6049035A	ROLLED PIN
36	P6049036	O-RING
37	P6049037	VALVE
38	P6049038	O-RING
39	P6049039	O-RING
40	P6049040	O-RING
41	P6049041	VALVE PLUNGER

REF	PART #	DESCRIPTION
42	P6049042	PLUNGER
43	P6049043	O-RING
44	P6049044	PLUNGER CAP
45B	P6048045B	TRIGGER ASSEMBLY
46	P6049046	O-RING
47A	P6044047A	O-RING
48A	P6049048A	LATCH
49	P6048049	BALL PIN
50A	P6049050A	GUIDE COVER ASM
50	P6049050	NOSE COVER
51	P6049051	NOSE
52A	P6049052A	SET BLOCK
53	P6049053	SAFETY ADJUST NUT
54	P6049054	WAVE WASHER
55	P6049055	SAFETY LEVER
56A	P6049056A	SPRING
57	P6049057	ROLLER
58	P6049058	PUSHER
59	P6049059	TOR. SPRING
60	P6049060	BALL PIN
62	P6049078	PUSHER GUIDE
63	P6049063	MAGAZINE
64	P6049064	SLEEVE
65	P6049065	SET PLATE
66A	P6049066A	CAP SCREW
67A	P6049067A	LOCK NUT
68A	P6048068A	LOCK NUT
69	P6049069	LOCK NUT
70	P6049070	GASKET
71	P6049071	REAR COVER
72	P6049072	AIR PLUG
74A	P6044075	CAP SCREW SW
76A	P6049076A	BUTTON HD CAP SCR
77	P6049077	NAIL GUIDE LINER
83	P6049083	SPRING
86	P6049086	STOPPER
88	P6049088	MAGAZINE CAP
90	P6049090	BRACKET
92A	P6044077	FLAT WASHER
93	P6049093	RUBBER PAD