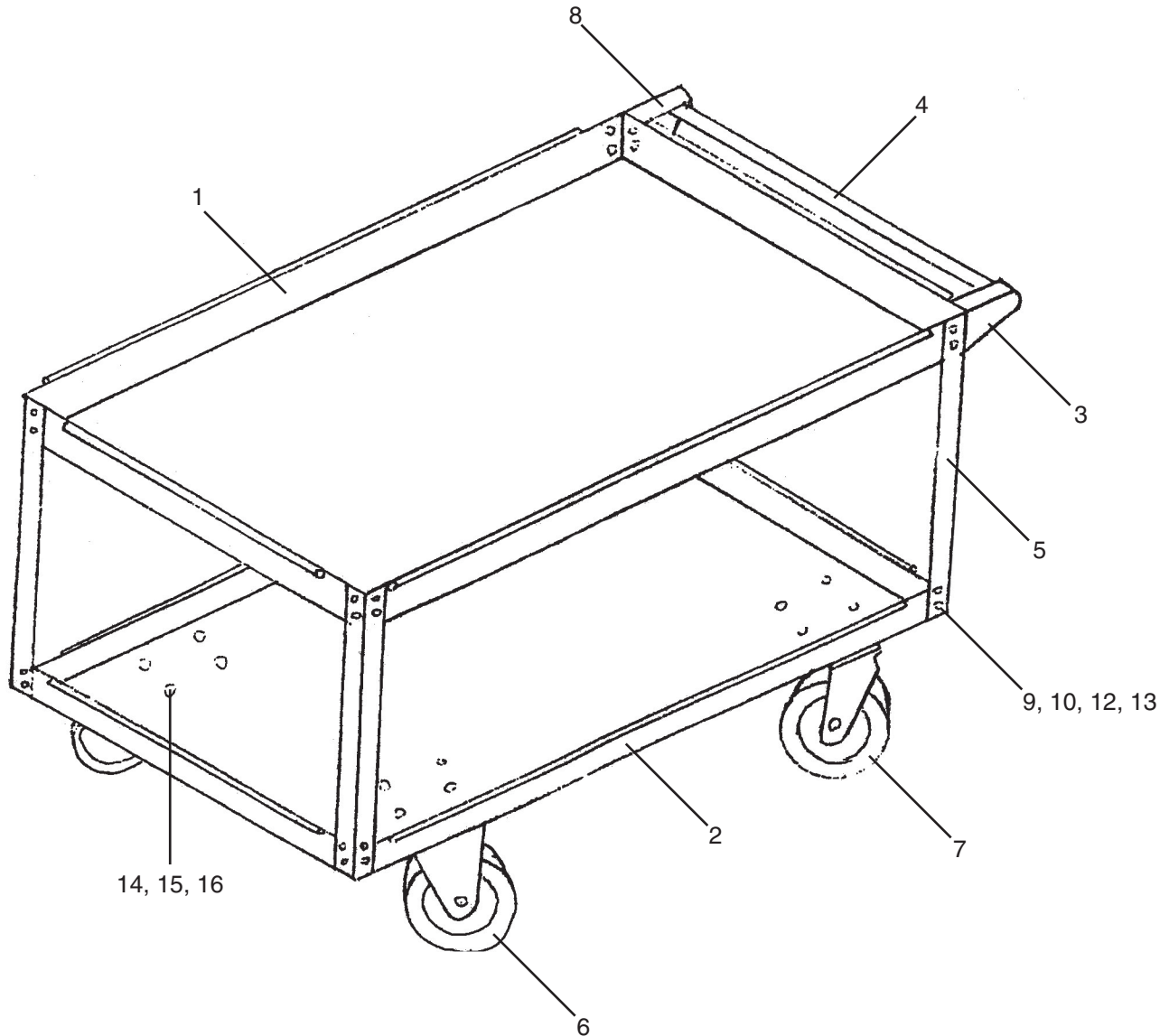


# G7113 Parts Breakdown and List



REF	PART #	DESCRIPTION
1	P7113001	UPPER SHELF
2	P7113002	LOWER SHELF
3	P7113003	HANDLE BRACKET (L)
4	P7113004	HANDLE
5	P7113005	SIDE BRACE
6	P7113006	FIXED WHEEL
7	P7113007	SWIVEL WHEEL
8	P7113008	HANDLE BRACKET (R)

REF	PART #	DESCRIPTION
9	PB02M	HEX BOLT M6-1 X 12
10	PN01M	HEX NUT M6-1
11	PB18M	HEX BOLT M6-1 X 15
12	PLW03M	LOCK WASHER 6MM
13	PW03M	FLAT WASHER 6MM
14	PB40M	HEX BOLT M10-1.5 X 15
15	PLW06M	LOCK WASHER 10MM
16	PN02M	HEX NUT M10-1.5

COPYRIGHT © JUNE, 2004 BY GRIZZLY INDUSTRIAL, INC.  
**WARNING: NO PORTION OF THIS MANUAL MAY BE REPRODUCED IN ANY SHAPE  
 OR FORM WITHOUT THE WRITTEN APPROVAL OF GRIZZLY INDUSTRIAL, INC.**  
 #EW6385 PRINTED IN CHINA