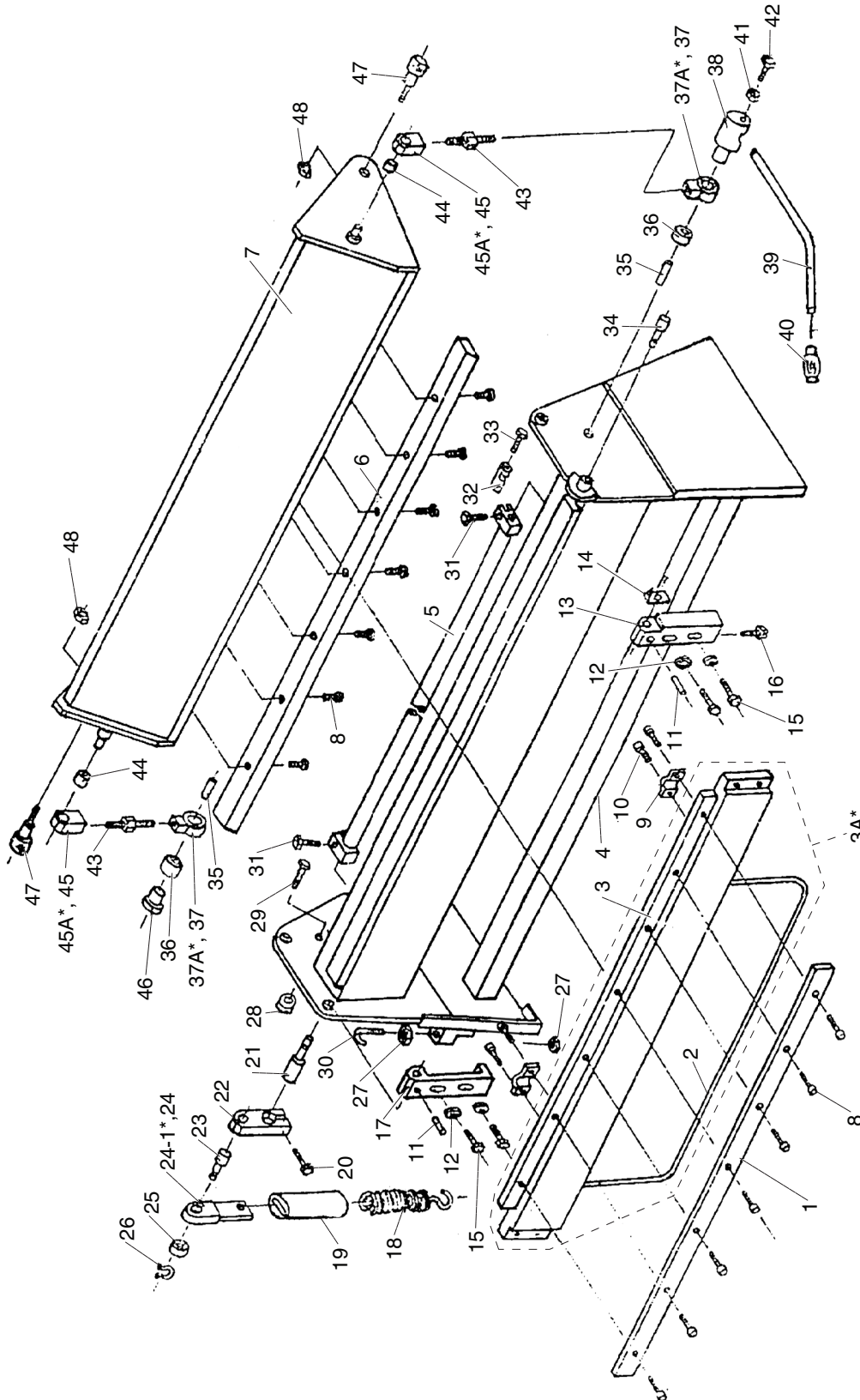


SECTION 7: PARTS

Parts Breakdown



* Version 2. These parts appear on machines manufactured since May, 2008



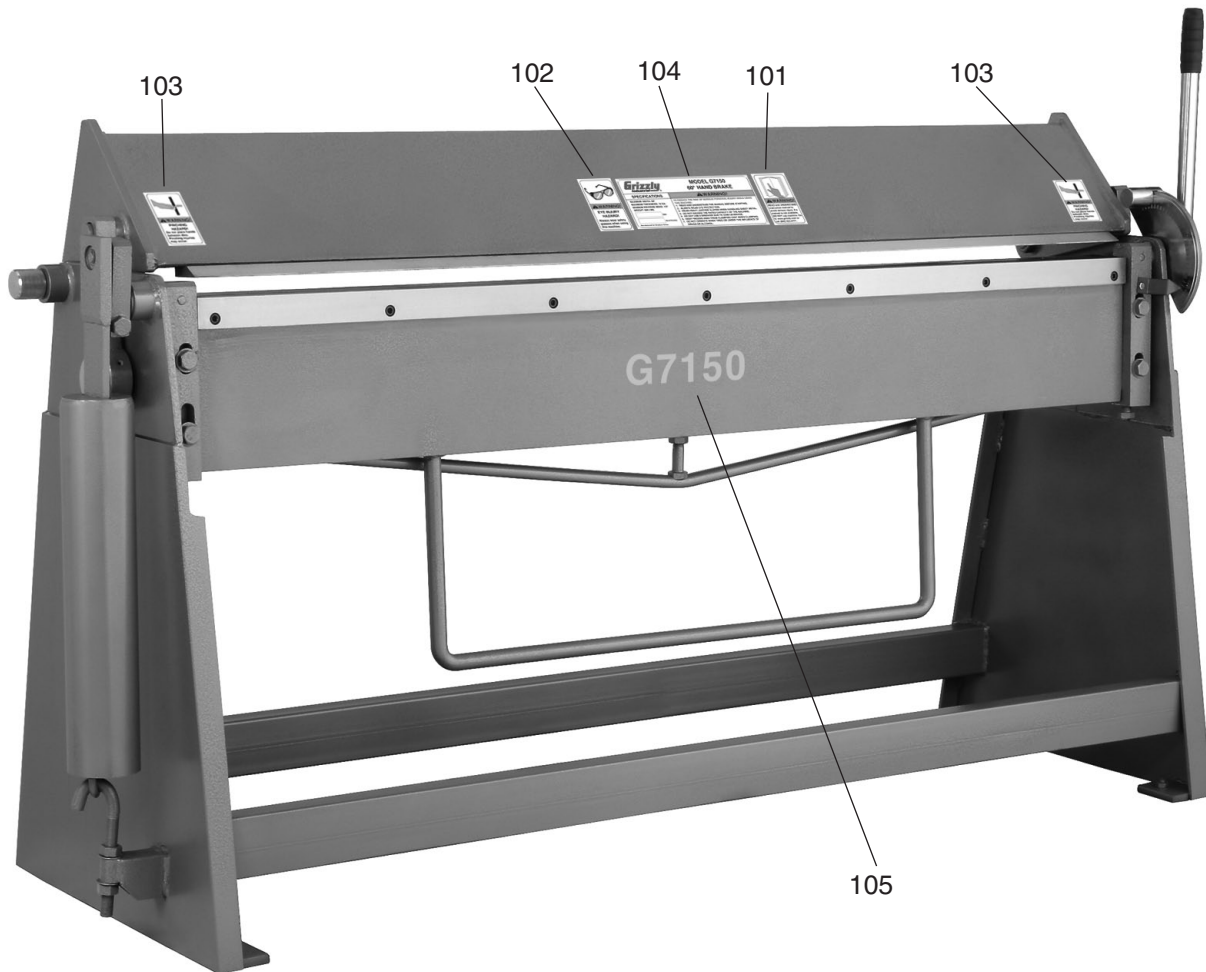
Parts List

REF	PART #	DESCRIPTION
1	P7150001	LOWER BENDING DIE
2	P7150002	HANDLE
3	P7150003	BENDING LEAF
3A	P7150003A	BENDING LEAF ASSEMBLY V2.08.08
4	P7150004	BODY
5	P7150005	CONNECTING SHAFT
6	P7150006	UPPER DIE
7	P7150007	CLAMPING LEAF
8	PSB14M	CAP SCREW M8-1.25 X 20
9	P7150009	HANDLE CLAMP
10	P7150010	HANDLE MOUNTING SCREW
11	P7150011	SPECIAL PIN
12	PW08M	FLAT WASHER 16MM
13	P7150013	BENDING LEAF BRACKET RIGHT
14	P7150014	POINTER
15	PB132M	HEX BOLT M16-2 X 40
16	PB132M	HEX BOLT M16-2 X 40
17	P7150017	BENDING LEAF BRACKET LEFT
18	P7150018	TENSION SPRING
19	P7150019	SPRING COVER
20	PB132M	HEX BOLT M16-2 X 40
21	P7150021	SPRING BRACKET SHAFT
22	P7150022	SPRING BRACKET
23	P7150023	SPRING POST
24	P7150024	UPPER CONNECTING SLEEVE
24-1	P7150024-1	SPRING HANGER V2.05.08

REF	PART #	DESCRIPTION
25	P6301	BALL BEARING 6301ZZ
26	PR03M	EXT RETAINING RING 12MM
27	PN13M	HEX NUT M16-2
28	P7150028	CAM
29	PB25M	HEX BOLT M12-1.75 X 25
30	P7150030	HOOK BOLT M12-1.75 X 180
31	PB132M	HEX BOLT M16-2 X 40
32	P7150032	ANGLE STOP
33	PB07M	HEX BOLT M8-1.25 X 25
34	P7150034	SHAFT
35	P7150035	SMALL SHAFT
36	P7150036	LARGE BUSHING
37	P7150037	BOTTOM TURNBUCKLE BRACKET RH V1.01.02
37A	P7150037A	BOTTOM TURNBUCKLE BRACKET LH V2.05.08
38	P7150038	RIGHT ECCENTRIC SHAFT
39	P7150039	HANDLE
40	P7150040	HANDLE GRIP
41	PN09M	HEX NUT M12-1.75
42	PB25M	HEX BOLT M12-1.75 X 25
43	P7150043	DOUBLE-END THREADED TURNBUCKLE
44	P7150044	BUSHING
45	P7150045	TOP TURNBUCKLE BRACKET LH V1.01.02
45A	P7150045A	TOP TURNBUCKLE BRACKET RH V2.05.08
46	P7150046	LEFT ECCENTRIC SHAFT
47	P7150047	ECCENTRIC BOLT
48	PN28M	HEX NUT M20-2.5



Labels Breakdown and List



REF	PART #	DESCRIPTION
101	PLABEL-12A	READ MANUAL LABEL VL
102	PLABEL-11A	SAFETY GLASSES VL
103	P7150103	PINCHING HAZARD LABEL

REF	PART #	DESCRIPTION
104	P7150104	MACHINE ID LABEL
105	P7150105	MODEL NUMBER LABEL

WARNING

Safety labels warn about machine hazards and ways to prevent injury. The owner of this machine **MUST** maintain the original location and readability of the labels on the machine. If any label is removed or becomes unreadable, **REPLACE** that label before using the machine again. Contact Grizzly at (800) 523-4777 or www.grizzly.com to order new labels.

